

IB L2-M ESTOP-ADAP 1/1 M12 - Y distributor



2819189

<https://www.phoenixcontact.com/us/products/2819189>

Please be informed that the data shown in this PDF document is generated from our online catalog. Please find the complete data in the user documentation. Our general terms of use for downloads are valid.

Emergency-stop Y plug



Commercial data

Item number	2819189
Packing unit	5 pc
Minimum order quantity	1 pc
Sales key	BF10
Product key	AF1GAB
GTIN	4017918193157
Weight per piece (including packing)	29 g
Weight per piece (excluding packing)	26.1 g
Customs tariff number	85366990
Country of origin	PL

IB L2-M ESTOP-ADAP 1/1 M12 - Y distributor

2819189

<https://www.phoenixcontact.com/us/products/2819189>

Technical data

Notes

General	with center distance of 18 mm, suitable for molded connectors and unshielded connectors that can be assembled with QUICKON IDC terminal block connection technology and a connection range of 0.14 mm ² to 0.34 mm ²
---------	--

Product properties

Product type	Y-distributor
Number of positions	5
No. of cable outlets	2
Shielded	no
Coding	A
Thread type	M12

Insulation characteristics

Overvoltage category	II
Degree of pollution	3

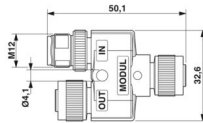
Electrical properties

Insulation resistance	≥ 10 GΩ
Nominal voltage U _N	48 V AC
	60 V DC
Nominal current I _N	4 A

Signaling

Status display	no
Status display present	no

Dimensions

Dimensional drawing	
Length	50.1 mm
Center distance	18 mm

Material specifications

Flammability rating according to UL 94	HB
Seal material	NBR
Material of grip body	TPU, hardly inflammable, self-extinguishing
Contact material	CuZn
Contact surface material	Ni/Au

IB L2-M ESTOP-ADAP 1/1 M12 - Y distributor



2819189

<https://www.phoenixcontact.com/us/products/2819189>

Contact carrier material	TPU GF
Material for screw connection	Zinc die-cast, nickel-plated

Connector

Connection 1

Type	Socket straight M12
Coding type	A

Connection 2

Type	Socket straight M12
Coding type	A

Connection 3

Type	Plug straight M12
Coding type	A

Mechanical properties

Mechanical data

Insertion/withdrawal cycles	≥ 100
-----------------------------	-------

Environmental and real-life conditions

Ambient conditions

Degree of protection	IP65 IP67
Ambient temperature (operation) (male connector/female connector)	-25 °C ... 90 °C (Plug / socket)

Standards and regulations

Standard designation	M12 connector
Standards/specifications	IEC 61076-2-101

IB L2-M ESTOP-ADAP 1/1 M12 - Y distributor

2819189

<https://www.phoenixcontact.com/us/products/2819189>

Drawings

Dimensional drawing



Plug M12 x 1, Y distributor

Schematic diagram



Pin assignment M12 male connector, 5-pos., A-coded, male side

IB L2-M ESTOP-ADAP 1/1 M12 - Y distributor

2819189

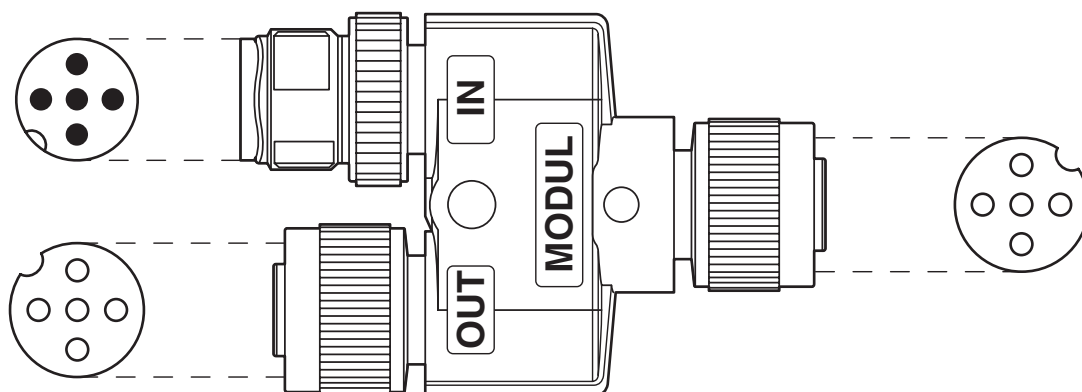
<https://www.phoenixcontact.com/us/products/2819189>

Schematic diagram



Pin assignment M12 socket, 5-pos., A-coded, socket side view

Schematic diagram



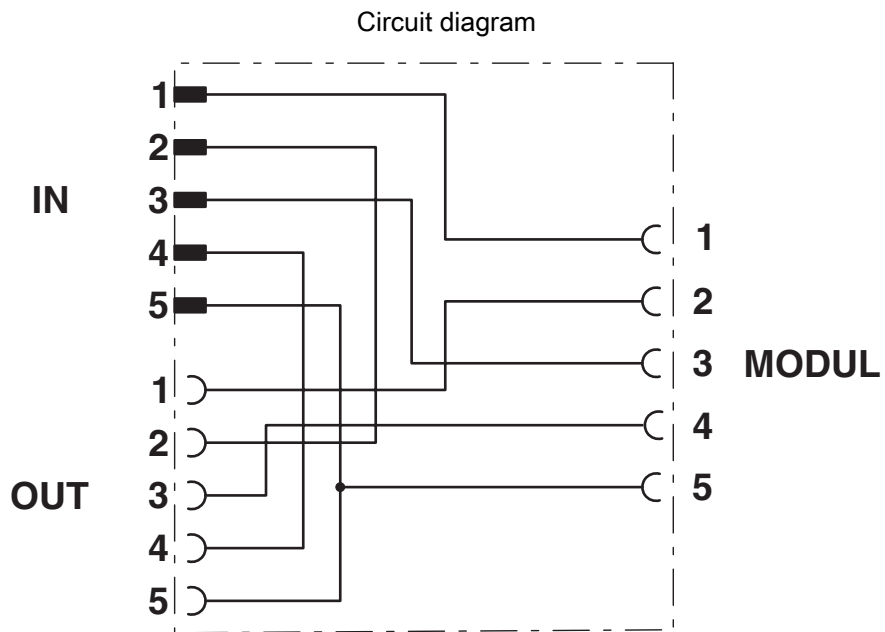
Layout of connector pin assignments

IB L2-M ESTOP-ADAP 1/1 M12 - Y distributor



2819189

<https://www.phoenixcontact.com/us/products/2819189>



Contact assignment of the M12 Y distributor

IB L2-M ESTOP-ADAP 1/1 M12 - Y distributor



2819189

<https://www.phoenixcontact.com/us/products/2819189>

Classifications

ECLASS

ECLASS-13.0	27440106
ECLASS-15.0	27440106

ETIM

ETIM 10.0	EC002925
-----------	----------

UNSPSC

UNSPSC 21.0	31251500
-------------	----------

IB L2-M ESTOP-ADAP 1/1 M12 - Y distributor



2819189

<https://www.phoenixcontact.com/us/products/2819189>

Environmental product compliance

EU RoHS

Fulfills EU RoHS substance requirements	Yes, No exemptions
---	--------------------

China RoHS

Environment friendly use period (EFUP)	EFUP-E
	No hazardous substances above the limits

EU REACH SVHC

REACH candidate substance (CAS No.)	No substance above 0.1 wt%
-------------------------------------	----------------------------

Phoenix Contact 2026 © - all rights reserved
<https://www.phoenixcontact.com>

Phoenix Contact USA
586 Fulling Mill Road
Middletown, PA 17057, United States
(+717) 944-1300
info@phoenixcon.com