

# IB L2-M ADAP 1/1 M12 - Y distributor

2819163

<https://www.phoenixcontact.com/us/products/2819163>

Please be informed that the data shown in this PDF document is generated from our online catalog. Please find the complete data in the user documentation. Our general terms of use for downloads are valid.

Y plug, for connecting a Loop 2 S Line module with the Loop 2 (M12)



## Commercial data

Item number	2819163
Packing unit	5 pc
Minimum order quantity	1 pc
Sales key	BF10
Product key	AF1GAB
GTIN	4017918193140
Weight per piece (including packing)	29.44 g
Weight per piece (excluding packing)	26.24 g
Customs tariff number	85366990
Country of origin	PL

# IB L2-M ADAP 1/1 M12 - Y distributor

2819163

<https://www.phoenixcontact.com/us/products/2819163>

## Technical data

### Product properties

Product type	Y-distributor
Number of positions	5
No. of cable outlets	2
Shielded	no
Coding	A
Thread type	M12

### Insulation characteristics

Overvoltage category	II
Degree of pollution	3

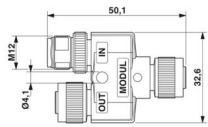
### Electrical properties

Insulation resistance	$\geq 10 \text{ G}\Omega$
Nominal voltage $U_N$	48 V AC
	60 V DC
Nominal current $I_N$	4 A

### Signaling

Status display	no
Status display present	no

### Dimensions

Dimensional drawing	
Length	50.1 mm
Center distance	18 mm

### Material specifications

Flammability rating according to UL 94	HB
Seal material	NBR
Material of grip body	TPU, hardly inflammable, self-extinguishing
Contact material	CuZn
Contact surface material	Ni/Au
Contact carrier material	TPU GF
Material for screw connection	Zinc die-cast, nickel-plated

### Connector

Connection 1

# IB L2-M ADAP 1/1 M12 - Y distributor



2819163

<https://www.phoenixcontact.com/us/products/2819163>

Type	Socket straight M12
Coding type	A

## Connection 2

Type	Socket straight M12
Coding type	A

## Connection 3

Type	Plug straight M12
Coding type	A

## Mechanical properties

### Mechanical data

Insertion/withdrawal cycles	≥ 100
-----------------------------	-------

## Environmental and real-life conditions

### Ambient conditions

Degree of protection	IP65
	IP67
Ambient temperature (operation) (male connector/female connector)	-25 °C ... 90 °C (Plug / socket)

## Standards and regulations

Standard designation	M12 connector
Standards/specifications	IEC 61076-2-101

# IB L2-M ADAP 1/1 M12 - Y distributor

2819163

<https://www.phoenixcontact.com/us/products/2819163>

## Drawings

Dimensional drawing



Plug M12 x 1, Y distributor

Schematic diagram



Pin assignment M12 male connector, 5-pos., A-coded, male side

# IB L2-M ADAP 1/1 M12 - Y distributor

2819163

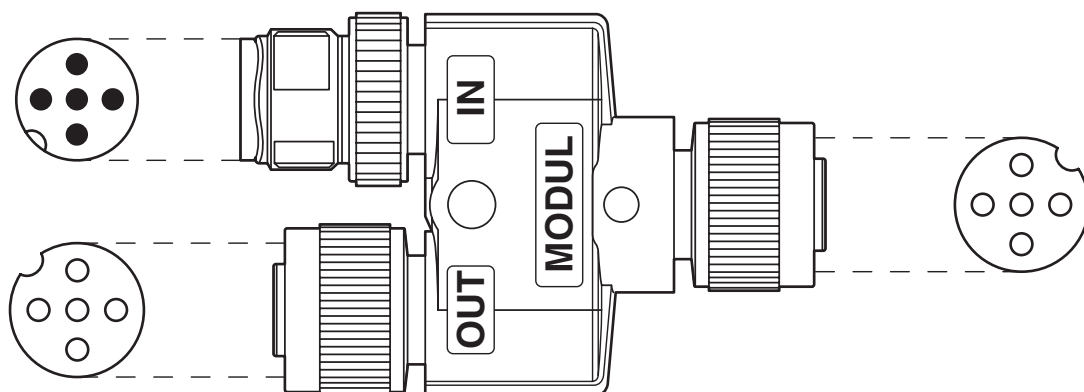
<https://www.phoenixcontact.com/us/products/2819163>

Schematic diagram



Pin assignment M12 socket, 5-pos., A-coded, socket side view

Schematic diagram



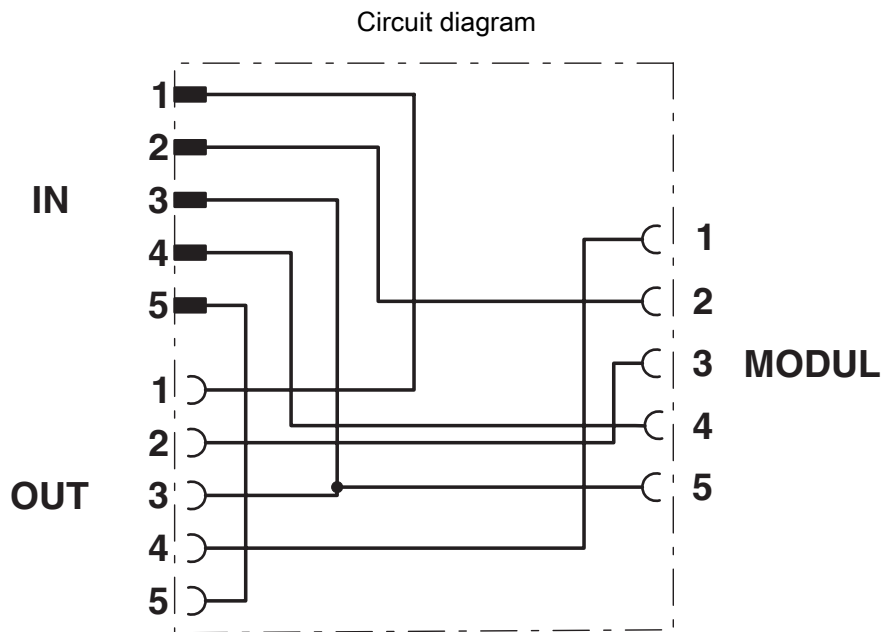
Layout of connector pin assignments

# IB L2-M ADAP 1/1 M12 - Y distributor



2819163

<https://www.phoenixcontact.com/us/products/2819163>



Contact assignment of the M12 Y distributor

# IB L2-M ADAP 1/1 M12 - Y distributor



2819163

<https://www.phoenixcontact.com/us/products/2819163>

## Classifications

### ECLASS

ECLASS-13.0	27440106
ECLASS-15.0	27440106

### ETIM

ETIM 10.0	EC002925
-----------	----------

### UNSPSC

UNSPSC 21.0	31251500
-------------	----------

# IB L2-M ADAP 1/1 M12 - Y distributor



2819163

<https://www.phoenixcontact.com/us/products/2819163>

## Environmental product compliance

### EU RoHS

Fulfills EU RoHS substance requirements	Yes, No exemptions
---	--------------------

### China RoHS

Environment friendly use period (EFUP)	EFUP-E
	No hazardous substances above the limits

### EU REACH SVHC

REACH candidate substance (CAS No.)	No substance above 0.1 wt%
-------------------------------------	----------------------------

### EF3.1 Climate Change

CO2e kg	1.113 kg CO2e
---------	---------------

Phoenix Contact 2026 © - all rights reserved  
<https://www.phoenixcontact.com>

Phoenix Contact USA  
586 Fulling Mill Road  
Middletown, PA 17057, United States  
(+717) 944-1300  
[info@phoenixcon.com](mailto:info@phoenixcon.com)