

FLT-PLUS CTRL-0.9/I - Type 1+2 combined lightning current and surge arrester



2818960

<https://www.phoenixcontact.com/us/products/2818960>

Please be informed that the data shown in this PDF document is generated from our online catalog. Please find the complete data in the user documentation. Our general terms of use for downloads are valid.

Type 1 / Class I / B arrester (lightning current arrester) with arc chopping spark gap and ignition electronics with control lamp, quenching plates for high mains follow-through current quenching capacity, 1-channel. Protection level: 0.9 kV. Housing width: 35 mm (2 Div.)



Commercial data

Item number	2818960
Packing unit	1 pc
Note	Made to order (non-returnable)
Sales key	CL01
Product key	CL1121
GTIN	4017918168780
Weight per piece (including packing)	560.1 g
Weight per piece (excluding packing)	514.24 g
Customs tariff number	85363030
Country of origin	DE

FLT-PLUS CTRL-0.9/I - Type 1+2 combined lightning current and surge arrester

2818960

<https://www.phoenixcontact.com/us/products/2818960>

Technical data

Product properties

Product type	Combination type
IEC test classification	I
	T1
EN type	T1
Type	DIN rail module, one-piece
Number of positions	1
Surge protection fault message	optical

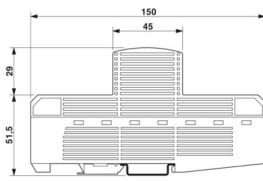
Electrical properties

Nominal frequency f_N	50 Hz
	60 Hz
Nominal voltage U_N	240 V AC
	230 V AC ... 277 V AC

Connection data

Connection method	Screw connection
Screw thread	M6
Tightening torque, min	8 Nm
Stripping length	19 mm
Conductor cross-section flexible min.	16 mm ²
Conductor cross-section flexible max.	35 mm ²
Conductor cross-section, rigid min.	10 mm ²
Conductor cross-section, rigid max.	50 mm ²

Dimensions

Dimensional drawing	
Width	35.5 mm
Height	149.8 mm
Depth	80.5 mm
Horizontal pitch	2 Div.

Material specifications

Flammability rating according to UL 94	V0
--	----

FLT-PLUS CTRL-0.9/I - Type 1+2 combined lightning current and surge arrester



2818960

<https://www.phoenixcontact.com/us/products/2818960>

Housing material	PBT/PA-F
------------------	----------

Mechanical properties

Mechanical data

Open side panel	No
-----------------	----

Protective circuit

Direction of action	1L-N/PE
Nominal voltage U_N	230 V AC ... 277 V AC
Nominal frequency f_N	50 Hz
	60 Hz
Maximum continuous operating voltage U_C	335 V AC
Maximum continuous operating voltage U_C (L-N)	335 V AC
Maximum continuous operating voltage U_C (L-PEN)	335 V AC
Protective conductor current I_{PE}	≤ 2.5 mA
Operating effective current I_C at U_N	≤ 2.5 mA
Nominal discharge current I_n (8/20) μ s	50 kA
Nominal discharge current I_n (8/20) μ s (L-N)	50 kA
Nominal discharge current I_n (8/20) μ s (L-PEN)	50 kA
Impulse discharge current (10/350) μ s, charge	25 As
Impulse discharge current (10/350) μ s, specific energy	625 kJ/ Ω
Impulse discharge current (10/350) μ s, peak value I_{imp}	50 kA
Follow current quenching capacity I_{fi} (L-N)	50 kA
Follow current quenching capacity I_{fi} (L-PEN)	50 kA
Voltage protection level U_p	≤ 0.9 kV
Voltage protection level U_p (L-N)	≤ 0.9 kV
Voltage protection level U_p (L-PEN)	≤ 0.9 kV
Response time t_A	≤ 100 ns
Response time t_A (L-N)	≤ 100 ns
Response time t_A (L-PEN)	≤ 100 ns
Max. backup fuse with branch wiring	250 A (gL)

Environmental and real-life conditions

Ambient conditions

Degree of protection	IP20
Ambient temperature (operation)	-40 °C ... 85 °C
Permissible humidity (operation)	≤ 95 %

Standards and regulations

Standards

Standards/regulations	E DIN VDE 0675-6/A1
	UL 1449

FLT-PLUS CTRL-0.9/I - Type 1+2 combined lightning current and surge arrester



2818960

<https://www.phoenixcontact.com/us/products/2818960>

	IEEE C62.1
	IEEE C62.41
	IEC 61643-1
	prEN 61643-1
	NF C61-740

Air clearances and creepage distances

Standards/regulations	VDE 0110-1 / IEC 60664-1 / VDE 0675-6 / NF C61-740
Standards/specifications	UL 1449
Note	ed. 2
Standards/specifications	IEC 61643-1
Note	1998
Standards/specifications	NF C61-740
Note	1995

Mounting

Mounting type	DIN rail: 35 mm
---------------	-----------------

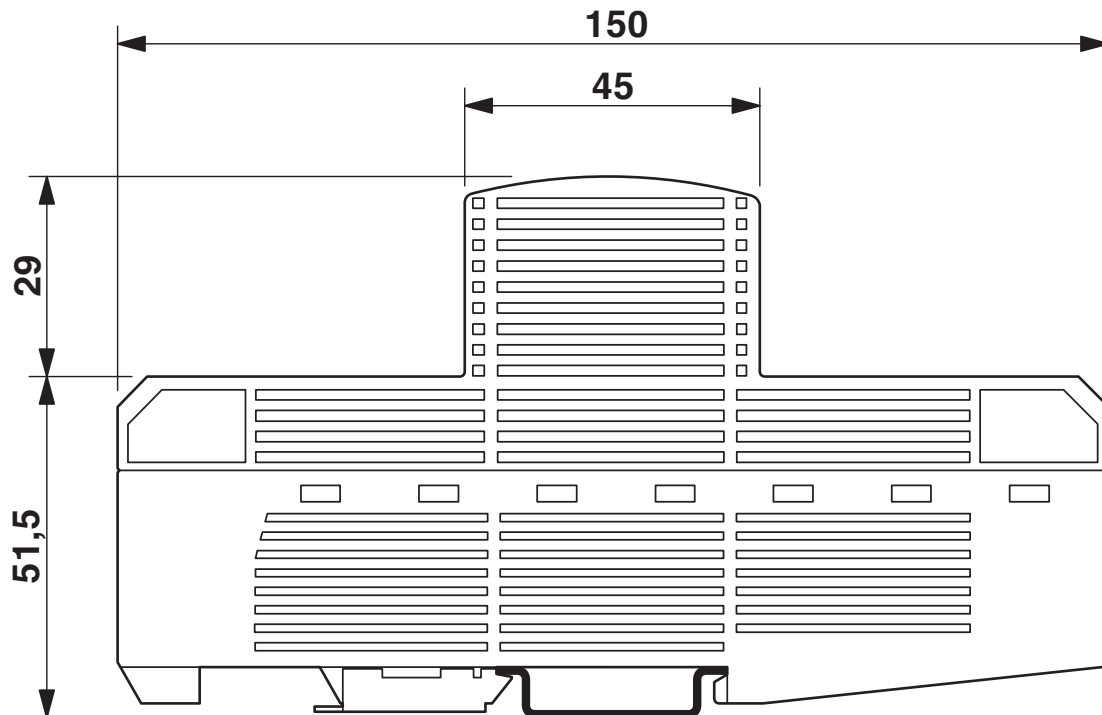
FLT-PLUS CTRL-0.9/I - Type 1+2 combined lightning current and surge arrester

2818960

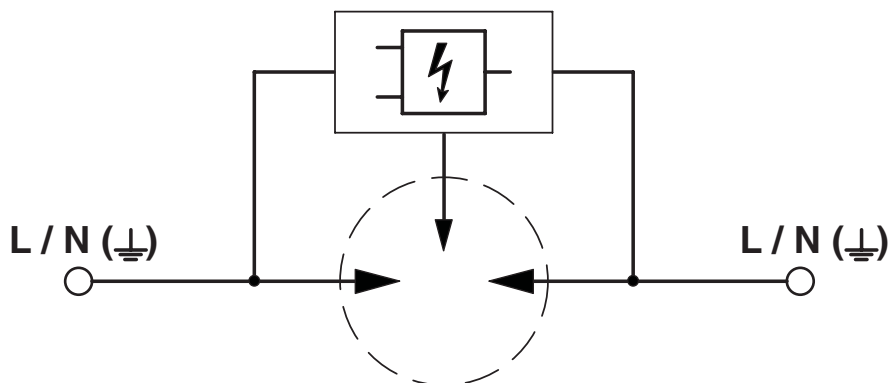
<https://www.phoenixcontact.com/us/products/2818960>

Drawings

Dimensional drawing



Circuit diagram



FLT-PLUS CTRL-0.9/I - Type 1+2 combined lightning current and surge arrester



2818960

<https://www.phoenixcontact.com/us/products/2818960>

Environmental product compliance

EU REACH SVHC

REACH candidate substance (CAS No.)	
-------------------------------------	--

	No substance above 0.1 wt%
--	----------------------------

Phoenix Contact 2026 © - all rights reserved
<https://www.phoenixcontact.com>

Phoenix Contact USA
586 Fulling Mill Road
Middletown, PA 17057, United States
(+717) 944-1300
info@phoenixcon.com