

CN-UB-280DC-BB - Surge protection device



2818850

<https://www.phoenixcontact.com/us/products/2818850>

Please be informed that the data shown in this PDF document is generated from our online catalog. Please find the complete data in the user documentation. Our general terms of use for downloads are valid.



Attachment plug with replaceable surge protection for coaxial signal interfaces. Connection: N connector socket/socket

Your advantages

- Easy installation with system-compliant connection
- Use under extreme ambient conditions with robust design
- Service-friendly with replaceable protective components

Commercial data

Item number	2818850
Packing unit	1 pc
Minimum order quantity	1 pc
Sales key	CL25
Product key	CL3311
GTIN	4017918164027
Weight per piece (including packing)	141.4 g
Weight per piece (excluding packing)	131.45 g
Customs tariff number	85363010
Country of origin	TW

CN-UB-280DC-BB - Surge protection device



2818850

<https://www.phoenixcontact.com/us/products/2818850>

Technical data

Notes

General

Note	To meet the discharge conditions for DC voltages, please note the following information: "The surge protective device should be used together with a transmitter unit, which shuts down in the event of a short-circuit."
------	---

Product properties

Product type	Surge protection for transceiver systems
IEC test classification	C1
	C2
	C3
	D1
Type	Intermediate plug
Surge protection fault message	none

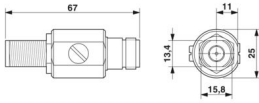
Insulation characteristics

Overvoltage category	III
Pollution degree	2

Connection data

Connection method	N connector 50 Ω
-------------------	------------------

Dimensions

Dimensional drawing	
Width	25 mm
Height	25 mm
Depth	67 mm

Material specifications

Color	nickel color
	copper color
Seal material	Silicon
Housing material	Nickel-plated brass
Housing surface material	Ni
Contact surface material	Au
Inner conductor material	CuZn
Inner conductor surface material	Gold
Insulation body material	PTFE

CN-UB-280DC-BB - Surge protection device



2818850

<https://www.phoenixcontact.com/us/products/2818850>

Spring contact material	CuSn
-------------------------	------

Mechanical properties

Mechanical data

Open side panel	No
-----------------	----

Protective circuit

Direction of action	Line-Shield/Earth Ground
Maximum continuous operating voltage U_C	280 V DC
	195 V AC
Rated current	5 A (25 °C)
Operating effective current I_C at U_C	$\leq 1 \mu\text{A}$
Nominal discharge current I_n (8/20) μs (line-ground)	20 kA
Nominal discharge current I_n (8/20) μs (line-shield)	20 kA
Pulse discharge current I_{imp} (10/350) μs (line-earth)	2.5 kA
Pulse discharge current I_{imp} (10/350) μs (line-shield)	2.5 kA
Total discharge current I_{Total} (8/20) μs	20 kA
Max. discharge current I_{max} (8/20) μs maximum (line-earth)	20 kA
Max. discharge current I_{max} (8/20) μs maximum (line-shield)	20 kA
Nominal pulse current I_{an} (10/1000) μs (line-earth)	100 A
Nominal pulse current I_{an} (10/1000) μs (line-shield)	100 A
Output voltage limitation at 1 kV/ μs (line-earth) spike	$\leq 900 \text{ V}$
Output voltage limitation at 1 kV/ μs (line-shield) spike	$\leq 900 \text{ V}$
Voltage protection level U_p (line-earth)	$\leq 900 \text{ V}$ (C1 - 1 kV / 500 A)
	$\leq 1.1 \text{ kV}$ (C2 - 10 kV / 5 kA)
	$\leq 1 \text{ kV}$ (C3 - 25 A)
Voltage protection level U_p (line-shield)	$\leq 900 \text{ V}$ (C1 - 1 kV / 500 A)
	$\leq 1.1 \text{ kV}$ (C2 - 10 kV / 5 kA)
	$\leq 1 \text{ kV}$ (C3 - 25 A)
Response time t_A	$\leq 100 \text{ ns}$
Input attenuation aE, asym.	typ. 0.1 dB ($\leq 1.2 \text{ GHz}$ / 50 Ω)
	typ. 0.2 dB ($\leq 2.2 \text{ GHz}$ / 50 Ω)
Cut-off frequency f_g (3 dB), asym. (shield) in 50 Ω system	$> 3 \text{ GHz}$
Voltage standing wave ratio VSWR in a 50 Ω system	typ. 1.10 ($\leq 2 \text{ GHz}$)
Permissible HF power P_{max} at VSWR = xx (50 ohm system)	700 W (VSWR = 1.1)
	200 W (VSWR = ∞)
Capacity	typ. 1.5 pF
Surge protection fault message	none
Impulse durability (line-earth)	C1 - 1 kV / 500 A
	C2 - 10 kV / 5 kA
	C3 - 100 A
	D1 - 2.5 kA
Impulse durability (line-shield)	C1 - 1 kV / 500 A
	C2 - 10 kV/5 kA

CN-UB-280DC-BB - Surge protection device



2818850

<https://www.phoenixcontact.com/us/products/2818850>

	C3 - 100 A
	D1 - 2.5 kA

Environmental and real-life conditions

Ambient conditions

Degree of protection	IP55
Ambient temperature (operation)	-40 °C ... 80 °C
Altitude	≤ 2000 m (amsl)

Standards and regulations

Standards/specifications	IEC 61643-21
Note	2000 + A1:2008
Standards/specifications	EN 61643-21
Note	2001 + A1:2009

Mounting

Mounting type	Connection-specific intermediate plugging
---------------	---

CN-UB-280DC-BB - Surge protection device

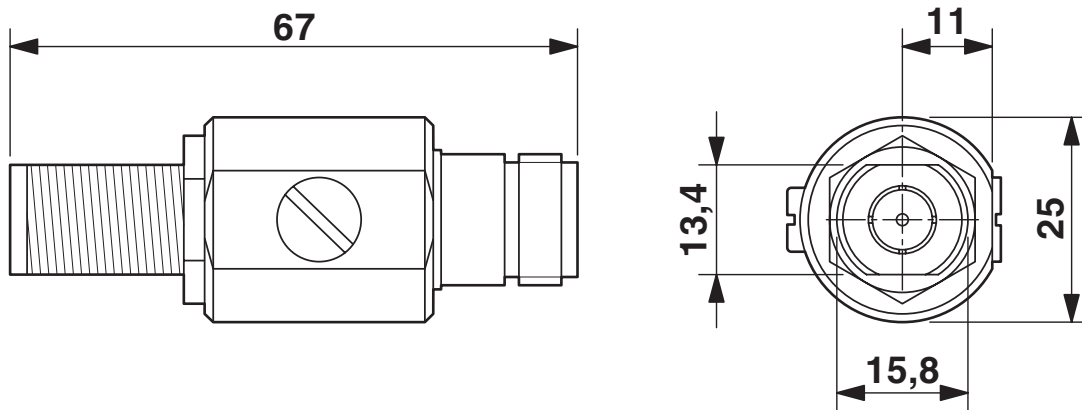


2818850

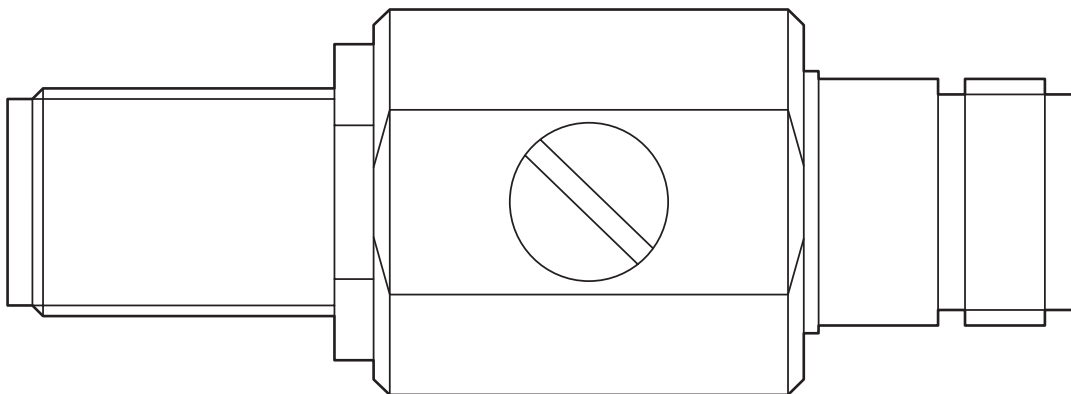
<https://www.phoenixcontact.com/us/products/2818850>

Drawings

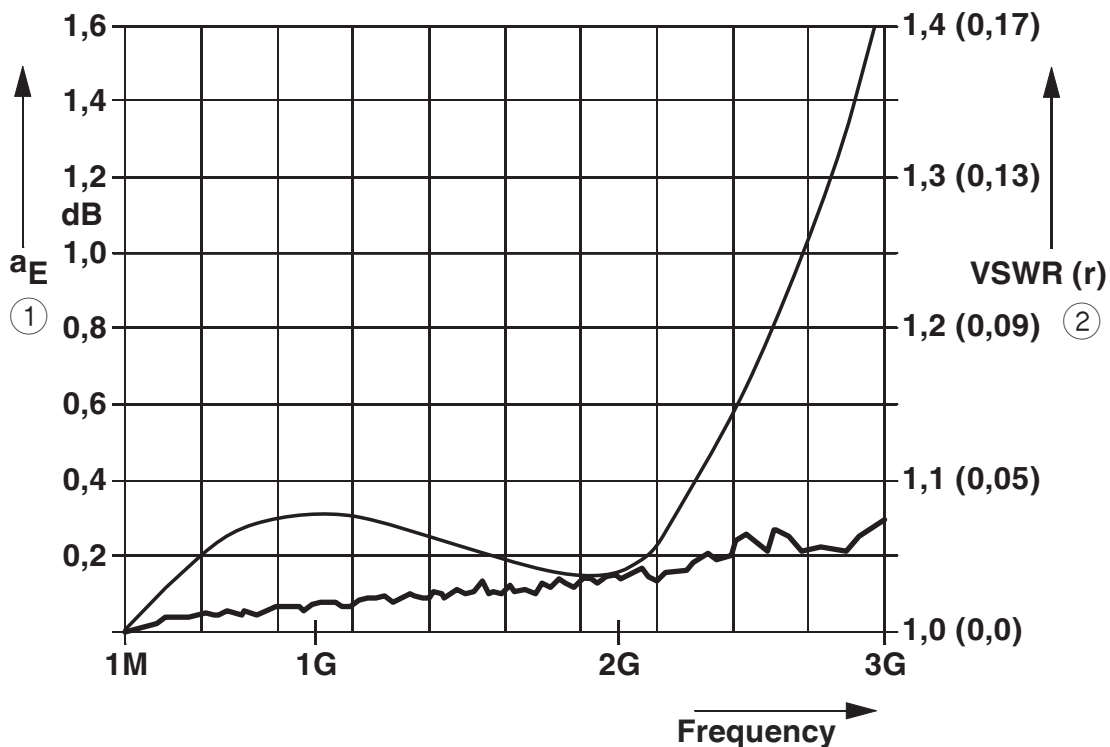
Dimensional drawing



Product drawing

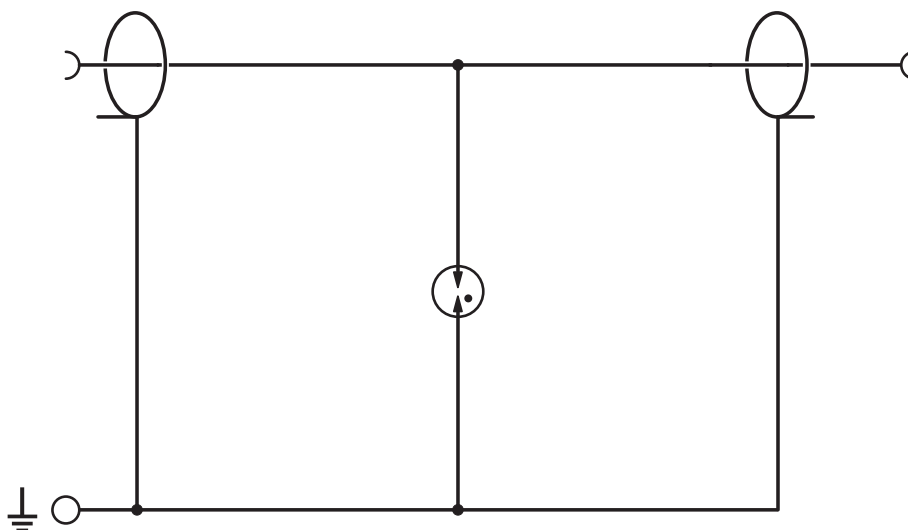


Diagram



- ① Typical attenuation curve for CN-UB-280DC...
- ② Typical VSWR at CN-UB-280DC...

Circuit diagram



CN-UB-280DC-BB - Surge protection device



2818850

<https://www.phoenixcontact.com/us/products/2818850>

Approvals

To download certificates, visit the product detail page: <https://www.phoenixcontact.com/us/products/2818850>



UL Listed

Approval ID: FILE E 138168



UL Listed

Approval ID: FILE E 362540

	Nominal voltage U_N	Nominal current I_N	Cross section AWG	Cross section mm^2
keine				
	280 V	5 A	-	-



cUL Listed

Approval ID: FILE E 333250

	Nominal voltage U_N	Nominal current I_N	Cross section AWG	Cross section mm^2
keine				
	280 V	5 A	-	-



UL Listed

Approval ID: FILE E 333250

	Nominal voltage U_N	Nominal current I_N	Cross section AWG	Cross section mm^2
keine				
	280 V	5 A	-	-

CN-UB-280DC-BB - Surge protection device



2818850

<https://www.phoenixcontact.com/us/products/2818850>

Classifications

ECLASS

ECLASS-13.0	27171504
ECLASS-15.0	27171504

ETIM

ETIM 10.0	EC001466
-----------	----------

UNSPSC

UNSPSC 21.0	39121600
-------------	----------

CN-UB-280DC-BB - Surge protection device



2818850

<https://www.phoenixcontact.com/us/products/2818850>

Environmental product compliance

EU RoHS

Fulfills EU RoHS substance requirements	Yes
Exemption	6(c)

China RoHS

Environment friendly use period (EFUP)	EFUP-50
	An article-related China RoHS declaration table can be found in the download area for the respective article under "Manufacturer declaration". For all articles with EFUP-E, no China RoHS declaration table issued and required.

EU REACH SVHC

REACH candidate substance (CAS No.)	Lead(CAS: 7439-92-1)
SCIP	36788d66-5c2c-4988-8600-4979d754f5be

EF3.1 Climate Change

CO2e kg	5.445 kg CO2e
---------	---------------

Phoenix Contact 2026 © - all rights reserved
<https://www.phoenixcontact.com>

Phoenix Contact USA
586 Fulling Mill Road
Middletown, PA 17057, United States
(+717) 944-1300
info@phoenixcon.com