

D-FM-A/RJ45-BB - Surge protection device



2818795

<https://www.phoenixcontact.com/us/products/2818795>

Please be informed that the data shown in this PDF document is generated from our online catalog. Please find the complete data in the user documentation. Our general terms of use for downloads are valid.



Attachment connector with surge protection for analog telecommunication interfaces.
Connection: RJ45 sockets

Commercial data

Item number	2818795
Packing unit	1 pc
Note	Made to order (non-returnable)
Sales key	CL03
Product key	CL3222
GTIN	4017918161927
Weight per piece (including packing)	122.3 g
Weight per piece (excluding packing)	109 g
Customs tariff number	85363010
Country of origin	DE

D-FM-A/RJ45-BB - Surge protection device

2818795

<https://www.phoenixcontact.com/us/products/2818795>

Technical data

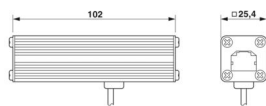
Product properties

Product type	Surge protection for information technology
Product family	DATATRAB
IEC test classification	C2 C3
VDE requirement class	C2 C3
Type	Intermediate plug
Surge protection fault message	none

Connection data

Connection method	RJ45
-------------------	------

Dimensions

Dimensional drawing	
Width	25.4 mm
Height	25.4 mm
Depth	102 mm

Material specifications

Housing material	Aluminum
------------------	----------

Mechanical properties

Mechanical data

Open side panel	No
-----------------	----

Protective circuit

Direction of action	Line-Line & Line-Earth Ground
Maximum continuous operating voltage U_C	185 V DC
Nominal current I_N	150 mA
Operating effective current I_C at U_C	$\leq 10 \mu A$
Protective conductor current I_{PE}	$\leq 1 \mu A$
Nominal discharge current I_n (8/20) μs (line-ground)	2.5 kA
Output voltage limitation at 1 kV/ μs (line-line) spike	$\leq 300 V$
Output voltage limitation at 1 kV/ μs (line-earth) spike	$\leq 1.4 kV$
Output voltage limitation at 1 kV/ μs (line-line) static	$\leq 300 V$
Output voltage limitation at 1 kV/ μs (line-earth) static	$\leq 1.4 kV$
Residual voltage at I_n (conductor-conductor)	$\leq 50 V$

D-FM-A/RJ45-BB - Surge protection device



2818795

<https://www.phoenixcontact.com/us/products/2818795>

Residual voltage at I_n (conductor-ground)	≤ 150 V
Voltage protection level U_p (line-line)	≤ 300 V
Voltage protection level U_p (line-earth)	≤ 1.4 kV
Response time t_A (line-line)	≤ 10 ns
Response time t_A (line-earth)	≤ 100 ns
Inductivity in series	$39 \mu\text{H} \pm 10 \%$
Resistance per path	1Ω
Short-circuit current self-quenching	150 mA
Surge protection fault message	none

Environmental and real-life conditions

Ambient conditions

Degree of protection	IP20
Ambient temperature (operation)	-25 °C ... 85 °C

Standards and regulations

VDE requirement class	C2
	C3

Standards Information technology specification

Standards/regulations	Draft IEC 64644-1
	E VDE 0845-3-1
	Draft IEC 64644-1
	E VDE 0845-3-1

Mounting

Mounting type	Connection-specific intermediate plugging
---------------	-------------------------------------------

D-FM-A/RJ45-BB - Surge protection device

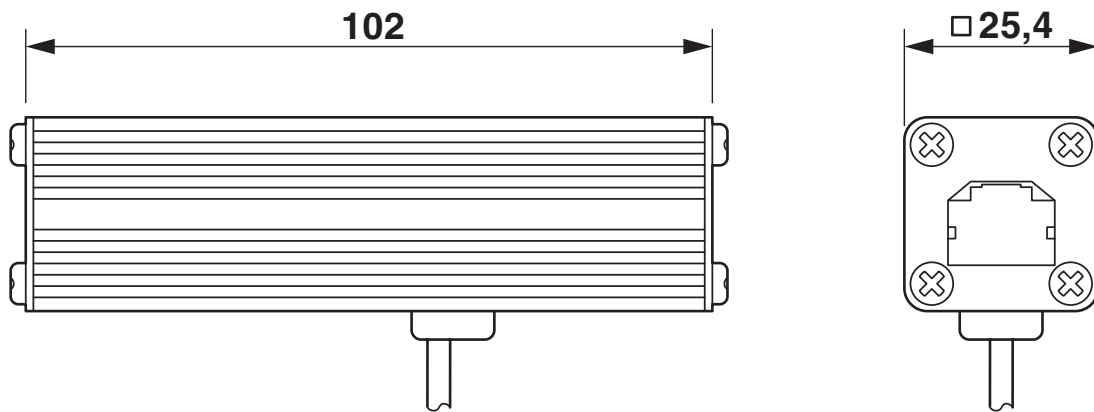
2818795

<https://www.phoenixcontact.com/us/products/2818795>



Drawings

Dimensional drawing



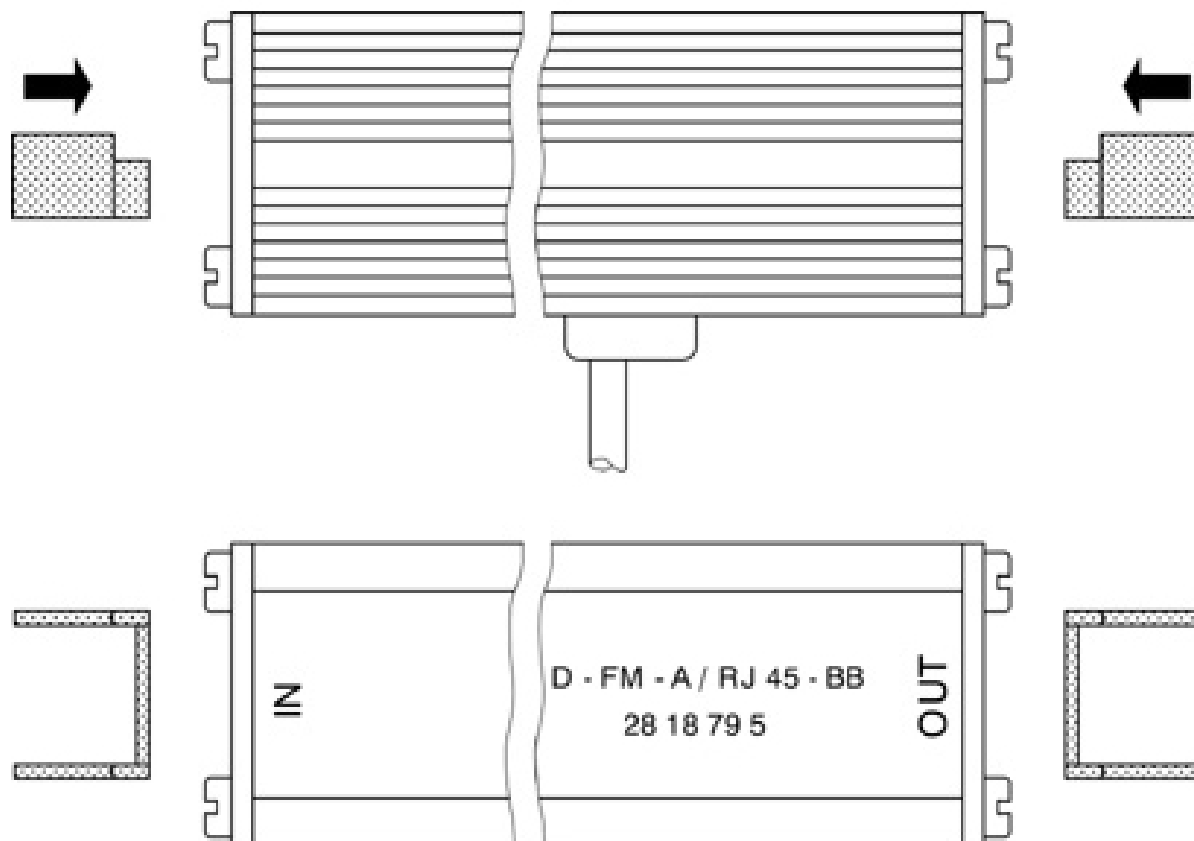
D-FM-A/RJ45-BB - Surge protection device



2818795

<https://www.phoenixcontact.com/us/products/2818795>

Schematic diagram



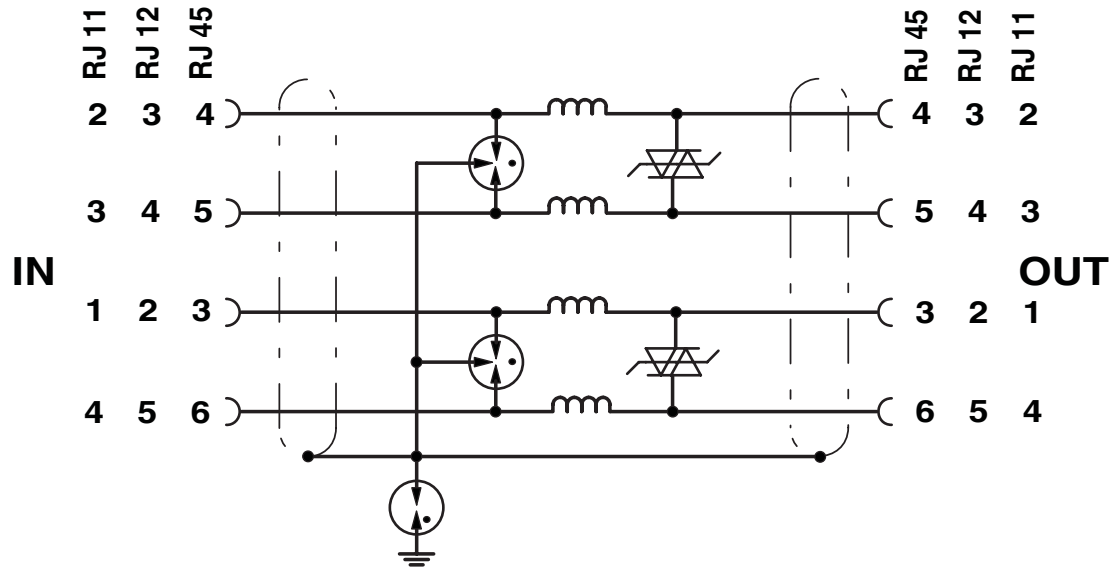
D-FM-A/RJ45-BB - Surge protection device



2818795

<https://www.phoenixcontact.com/us/products/2818795>

Circuit diagram



D-FM-A/RJ45-BB - Surge protection device



2818795

<https://www.phoenixcontact.com/us/products/2818795>

Classifications

UNSPSC

UNSPSC 21.0	39121620
-------------	----------

D-FM-A/RJ45-BB - Surge protection device



2818795

<https://www.phoenixcontact.com/us/products/2818795>

Environmental product compliance

EU RoHS

Fulfills EU RoHS substance requirements	Yes
Exemption	7(a), 7(c)-I

China RoHS

Environment friendly use period (EFUP)	EFUP-50
	An article-related China RoHS declaration table can be found in the download area for the respective article under "Manufacturer declaration". For all articles with EFUP-E, no China RoHS declaration table issued and required.

EU REACH SVHC

REACH candidate substance (CAS No.)	Lead(CAS: 7439-92-1)
-------------------------------------	----------------------

Phoenix Contact 2026 © - all rights reserved
<https://www.phoenixcontact.com>

Phoenix Contact USA
586 Fulling Mill Road
Middletown, PA 17057, United States
(+717) 944-1300
info@phoenixcon.com