

# CN-UB-280DC-SB - Surge protection device



2818148

<https://www.phoenixcontact.com/us/products/2818148>

Please be informed that the data shown in this PDF document is generated from our online catalog. Please find the complete data in the user documentation. Our general terms of use for downloads are valid.



Attachment plug with replaceable surge protection for coaxial signal interfaces. Connection: N connector plug/socket

## Your advantages

- Easy installation with system-compliant connection
- Use under extreme ambient conditions with robust design
- Service-friendly with replaceable protective components

## Commercial data

Item number	2818148
Packing unit	1 pc
Minimum order quantity	1 pc
Sales key	CL25
Product key	CL3311
GTIN	4017918148379
Weight per piece (including packing)	146 g
Weight per piece (excluding packing)	145.8 g
Customs tariff number	85363010
Country of origin	TW

# CN-UB-280DC-SB - Surge protection device



2818148

<https://www.phoenixcontact.com/us/products/2818148>

## Technical data

### Notes

#### General

Note	To meet the discharge conditions for DC voltages, please note the following information: "The surge protective device should be used together with a transmitter unit, which shuts down in the event of a short-circuit."
------	---

### Product properties

Product type	Surge protection for transceiver systems
IEC test classification	C1
	C2
	C3
	D1
Type	Intermediate plug
Surge protection fault message	none

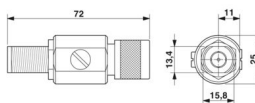
#### Insulation characteristics

Overvoltage category	III
Pollution degree	2

### Connection data

Connection method	N connector 50 Ω
-------------------	------------------

### Dimensions

Dimensional drawing	
Width	25 mm
Height	25 mm
Depth	72 mm

### Material specifications

Color	nickel color
	copper color
Seal material	Silicon
Housing material	Nickel-plated brass
Housing surface material	Ni
Contact surface material	Au
Inner conductor material	CuZn
Inner conductor surface material	Gold
Insulation body material	PTFE

# CN-UB-280DC-SB - Surge protection device



2818148

<https://www.phoenixcontact.com/us/products/2818148>

Spring contact material	CuSn
-------------------------	------

## Mechanical properties

### Mechanical data

Open side panel	No
-----------------	----

## Protective circuit

Direction of action	Line-Shield/Earth Ground
Maximum continuous operating voltage $U_C$	280 V DC
	195 V AC
Rated current	5 A (25 °C)
Operating effective current $I_C$ at $U_C$	$\leq 1 \mu\text{A}$
Nominal discharge current $I_n$ (8/20) $\mu\text{s}$ (line-ground)	20 kA
Nominal discharge current $I_n$ (8/20) $\mu\text{s}$ (line-shield)	20 kA
Pulse discharge current $I_{imp}$ (10/350) $\mu\text{s}$ (line-earth)	2.5 kA
Pulse discharge current $I_{imp}$ (10/350) $\mu\text{s}$ (line-shield)	2.5 kA
Total discharge current $I_{Total}$ (8/20) $\mu\text{s}$	20 kA
Max. discharge current $I_{max}$ (8/20) $\mu\text{s}$ maximum (line-earth)	20 kA
Max. discharge current $I_{max}$ (8/20) $\mu\text{s}$ maximum (line-shield)	20 kA
Nominal pulse current $I_{an}$ (10/1000) $\mu\text{s}$ (line-earth)	100 A
Nominal pulse current $I_{an}$ (10/1000) $\mu\text{s}$ (line-shield)	100 A
Output voltage limitation at 1 kV/ $\mu\text{s}$ (line-earth) spike	$\leq 900$ V
Output voltage limitation at 1 kV/ $\mu\text{s}$ (line-shield) spike	$\leq 900$ V
Voltage protection level $U_p$ (line-earth)	$\leq 900$ V (C1 - 1 kV / 500 A)
	$\leq 1.1$ kV (C2 - 10 kV / 5 kA)
	$\leq 1$ kV (C3 - 25 A)
Voltage protection level $U_p$ (line-shield)	$\leq 900$ V (C1 - 1 kV / 500 A)
	$\leq 1.1$ kV (C2 - 10 kV / 5 kA)
	$\leq 1$ kV (C3 - 25 A)
Response time $t_A$	$\leq 100$ ns
Input attenuation aE, asym.	typ. 0.1 dB ( $\leq 1.2$ GHz / 50 $\Omega$ )
	typ. 0.2 dB ( $\leq 2.2$ GHz / 50 $\Omega$ )
Cut-off frequency $f_g$ (3 dB), asym. (shield) in 50 $\Omega$ system	> 3 GHz
Voltage standing wave ratio VSWR in a 50 $\Omega$ system	typ. 1.10 ( $\leq 2$ GHz)
Permissible HF power $P_{max}$ at VSWR = xx (50 ohm system)	700 W (VSWR = 1.1)
	200 W (VSWR = $\infty$ )
Capacity	typ. 1.5 pF
Surge protection fault message	none
Impulse durability (line-earth)	C1 - 1 kV / 500 A
	C2 - 10 kV / 5 kA
	C3 - 100 A
	D1 - 2.5 kA
Impulse durability (line-shield)	C1 - 1 kV / 500 A
	C2 - 10 kV/5 kA

# CN-UB-280DC-SB - Surge protection device



2818148

<https://www.phoenixcontact.com/us/products/2818148>

	C3 - 100 A
	D1 - 2.5 kA

## Environmental and real-life conditions

### Ambient conditions

Degree of protection	IP55
Ambient temperature (operation)	-40 °C ... 80 °C
Altitude	≤ 2000 m (amsl)

## Standards and regulations

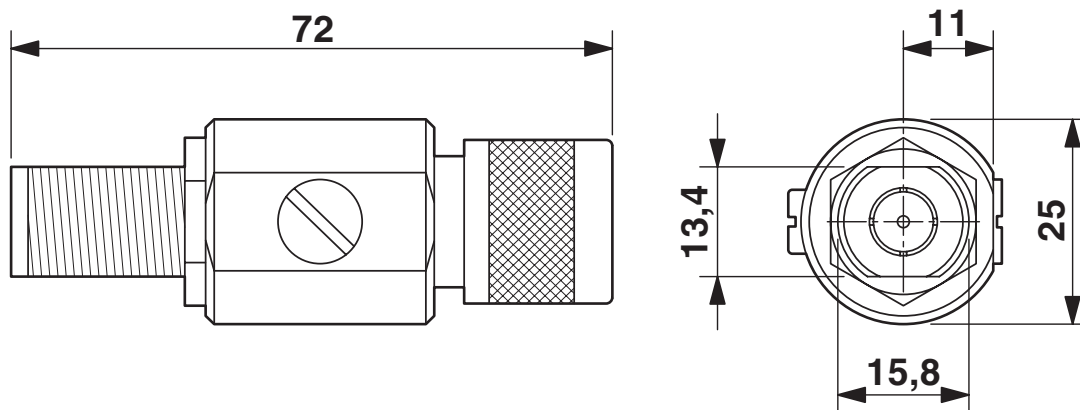
Standards/specifications	IEC 61643-21
Note	2000 + A1:2008
Standards/specifications	EN 61643-21
Note	2001 + A1:2009

## Mounting

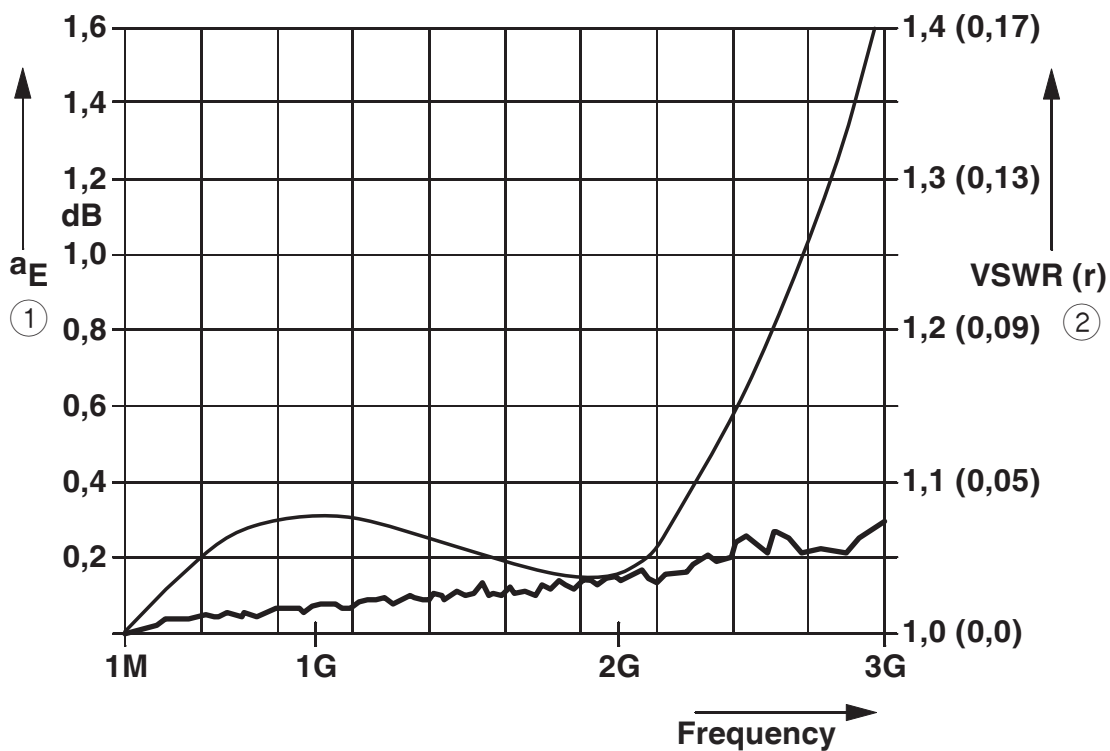
Mounting type	Connection-specific intermediate plugging
---------------	---

Drawings

Dimensional drawing



Diagram



① Typical attenuation curve for CN-UB-280DC...

② Typical VSWR at CN-UB-280DC...

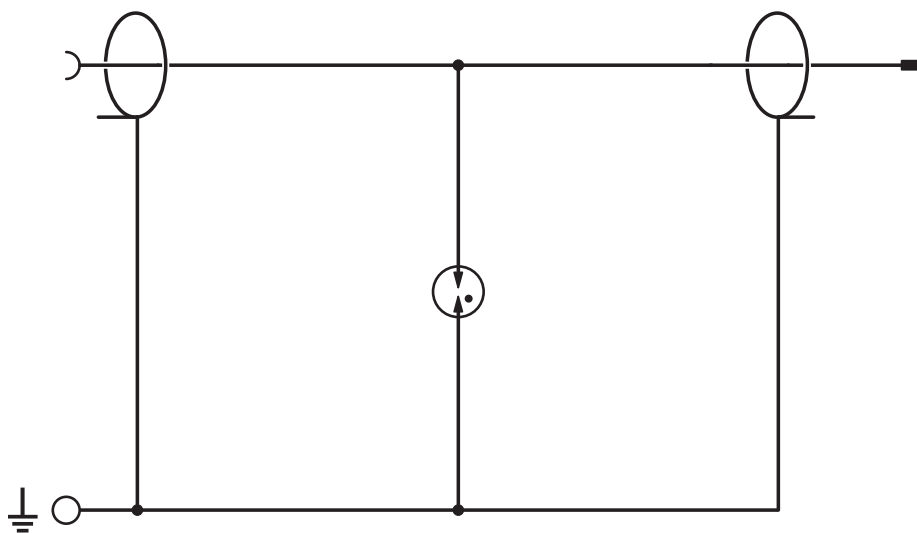
# CN-UB-280DC-SB - Surge protection device



2818148

<https://www.phoenixcontact.com/us/products/2818148>

Circuit diagram



# CN-UB-280DC-SB - Surge protection device



2818148

<https://www.phoenixcontact.com/us/products/2818148>

## Approvals

To download certificates, visit the product detail page: <https://www.phoenixcontact.com/us/products/2818148>



### UL Listed

Approval ID: FILE E 138168



### UL Listed

Approval ID: FILE E 362540

	Nominal voltage $U_N$	Nominal current $I_N$	Cross section AWG	Cross section $\text{mm}^2$
keine				
	280 V	5 A	-	-



### cUL Listed

Approval ID: FILE E 333250

	Nominal voltage $U_N$	Nominal current $I_N$	Cross section AWG	Cross section $\text{mm}^2$
keine				
	280 V	5 A	-	-



### UL Listed

Approval ID: FILE E 333250

	Nominal voltage $U_N$	Nominal current $I_N$	Cross section AWG	Cross section $\text{mm}^2$
keine				
	280 V	5 A	-	-

# CN-UB-280DC-SB - Surge protection device



2818148

<https://www.phoenixcontact.com/us/products/2818148>

## Classifications

### ECLASS

ECLASS-13.0	27171504
ECLASS-15.0	27171504

### ETIM

ETIM 10.0	EC001625
-----------	----------

### UNSPSC

UNSPSC 21.0	39121600
-------------	----------

# CN-UB-280DC-SB - Surge protection device



2818148

<https://www.phoenixcontact.com/us/products/2818148>

## Environmental product compliance

### EU RoHS

Fulfills EU RoHS substance requirements	Yes
Exemption	6(c)

### China RoHS

Environment friendly use period (EFUP)	EFUP-50
	An article-related China RoHS declaration table can be found in the download area for the respective article under "Manufacturer declaration". For all articles with EFUP-E, no China RoHS declaration table issued and required.

### EU REACH SVHC

REACH candidate substance (CAS No.)	Lead(CAS: 7439-92-1)
SCIP	1a333f25-257e-49c2-86f5-4b7a9223c94c

### EF3.1 Climate Change

CO2e kg	5.672 kg CO2e
---------	---------------

Phoenix Contact 2026 © - all rights reserved  
<https://www.phoenixcontact.com>

Phoenix Contact USA  
586 Fulling Mill Road  
Middletown, PA 17057, United States  
(+717) 944-1300  
[info@phoenixcon.com](mailto:info@phoenixcon.com)