

# CN-UB/MP - Mounting panel

2818135

<https://www.phoenixcontact.com/us/products/2818135>

Please be informed that the data shown in this PDF document is generated from our online catalog. Please find the complete data in the user documentation. Our general terms of use for downloads are valid.

Tongue for attaching the CN-UB..., to housing panels, for example.



## Commercial data

Item number	2818135
Packing unit	10 pc
Minimum order quantity	1 pc
Sales key	CL25
Product key	CL331Z
GTIN	4017918148362
Weight per piece (including packing)	20.75 g
Weight per piece (excluding packing)	17.793 g
Customs tariff number	73269098
Country of origin	DE

# CN-UB/MP - Mounting panel



2818135

<https://www.phoenixcontact.com/us/products/2818135>

## Technical data

### Product properties

Product type	Assembly adapter
--------------	------------------

### Material specifications

Color	silver-colored
	copper color

### Mounting

Mounting type	Panel mounting
---------------	----------------

# CN-UB/MP - Mounting panel

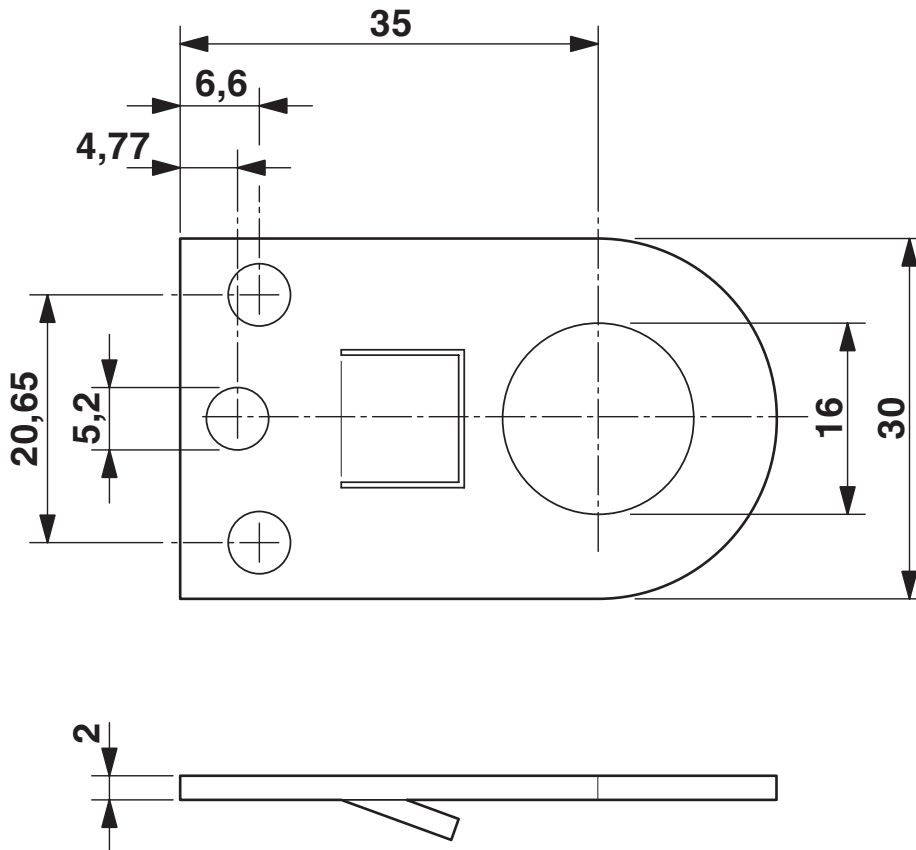


2818135

<https://www.phoenixcontact.com/us/products/2818135>

## Drawings

Dimensional drawing



# CN-UB/MP - Mounting panel

2818135

<https://www.phoenixcontact.com/us/products/2818135>



## Classifications

### ECLASS

ECLASS-13.0	27171592
ECLASS-15.0	27171592

### ETIM

ETIM 10.0	EC002497
-----------	----------

### UNSPSC

UNSPSC 21.0	39121600
-------------	----------

# CN-UB/MP - Mounting panel



2818135

<https://www.phoenixcontact.com/us/products/2818135>

## Environmental product compliance

### EU RoHS

Fulfills EU RoHS substance requirements	Yes, No exemptions
---	--------------------

### China RoHS

Environment friendly use period (EFUP)	EFUP-E
	No hazardous substances above the limits

### EU REACH SVHC

REACH candidate substance (CAS No.)	No substance above 0.1 wt%
-------------------------------------	----------------------------

### EF3.1 Climate Change

CO2e kg	0.173 kg CO2e
---------	---------------

Phoenix Contact 2026 © - all rights reserved  
<https://www.phoenixcontact.com>

Phoenix Contact USA  
586 Fulling Mill Road  
Middletown, PA 17057, United States  
(+717) 944-1300  
[info@phoenixcon.com](mailto:info@phoenixcon.com)