

MCR-FL-C-UI-2UI-DCI-NC - Input signal conditioner



2814867

<https://www.phoenixcontact.com/us/products/2814867>

Please be informed that the data shown in this PDF document is generated from our online catalog. Please find the complete data in the user documentation. Our general terms of use for downloads are valid.

MCR signal multiplier, for doubling and electrical isolation of analog signals, unconfigured



Your advantages

- Calibrated selectable input and output signals
- 4-way isolation

Commercial data

Item number	2814867
Packing unit	1 pc
Note	Made to order (non-returnable)
Sales key	C401
Product key	DK1XXX
GTIN	4017918820336
Weight per piece (including packing)	137.6 g
Weight per piece (excluding packing)	117.2 g
Customs tariff number	85437090
Country of origin	DE

MCR-FL-C-UI-2UI-DCI-NC - Input signal conditioner



2814867

<https://www.phoenixcontact.com/us/products/2814867>

Technical data

Product properties

Product type	Input signal conditioner
No. of channels	2

Electrical properties

Electrical isolation between input and output	yes
Limit frequency (3 dB)	30 Hz
Maximum power dissipation for nominal condition	15 mW
Test voltage, input/output/supply	1.5 kV AC (50 Hz, 60 s)
Protective circuit	Transient protection
Step response (10-90%)	12 ms
Maximum temperature coefficient	< 0.015 %/K
Temperature coefficient, typical	0.0075 %/K
Maximum transmission error	≤ 0.15 % (of final value)
Transmission error, typical	0.05 % (of final value)

Supply

Supply voltage range	20 V DC ... 30 V DC
Max. current consumption	< 25 mA

Input data

Signal

Description of the input	Current input
Number of inputs	1
Configurable/programmable	Yes, unconfigured
Current input signal	0 mA ... 24 mA (freely selectable in 0.1 mA steps)
Max. current input signal	50 mA
Input resistance current input	50 Ω
Voltage measuring range	min. 4 V
Current measuring range	min. 8 mA

Signal

Description of the input	Voltage input
Configurable/programmable	Yes, unconfigured
Voltage input signal	0 V ... 12 V (freely selectable in 0.1 V steps)
Max. voltage input signal	30 V
Input resistance of voltage input	200 kΩ
Voltage measuring range	min. 4 V
Current measuring range	min. 8 mA

Output data

MCR-FL-C-UI-2UI-DCI-NC - Input signal conditioner



2814867

<https://www.phoenixcontact.com/us/products/2814867>

Signal: I

Number of outputs	2
Configurable/programmable	Yes, unconfigured
Voltage output signal	0 V DC ... 10 V DC
	2 V DC ... 10 V DC
	0 V DC ... 5 V DC
	1 V DC ... 5 V DC
Current output signal	see order key / configuration table
Max. current output signal	35 mA
Load/output load current output	$\leq 600 \Omega$

Signal: U

Configurable/programmable	Yes, unconfigured
Voltage output signal	see order key / configuration table
Max. voltage output signal	15 V
Load/output load voltage output	$\geq 10 \text{ k}\Omega$

Connection data

Connection method	Screw connection
Stripping length	8 mm
Screw thread	M3
Conductor cross-section rigid	0.2 mm ² ... 2.5 mm ²
Conductor cross-section flexible	0.2 mm ² ... 2.5 mm ²
Conductor cross-section AWG	24 ... 14

Dimensions

Dimensional drawing	
Width	17.5 mm
Height	99 mm
Depth	114.5 mm

Material specifications

Color	green (RAL 6021)
Housing material	Polyamide PA non-reinforced

Environmental and real-life conditions

Ambient conditions

Degree of protection	IP20
----------------------	------

MCR-FL-C-UI-2UI-DCI-NC - Input signal conditioner



2814867

<https://www.phoenixcontact.com/us/products/2814867>

Ambient temperature (operation)	-25 °C ... 55 °C
---------------------------------	------------------

Approvals

CE

Certificate	CE-compliant
-------------	--------------

UL, USA/Canada

Identification	Class I, Div. 2, Groups A, B, C, D or Non-Hazardous Locations
----------------	---

Mounting

Mounting type	DIN rail mounting
Mounting position	any

MCR-FL-C-UI-2UI-DCI-NC - Input signal conditioner

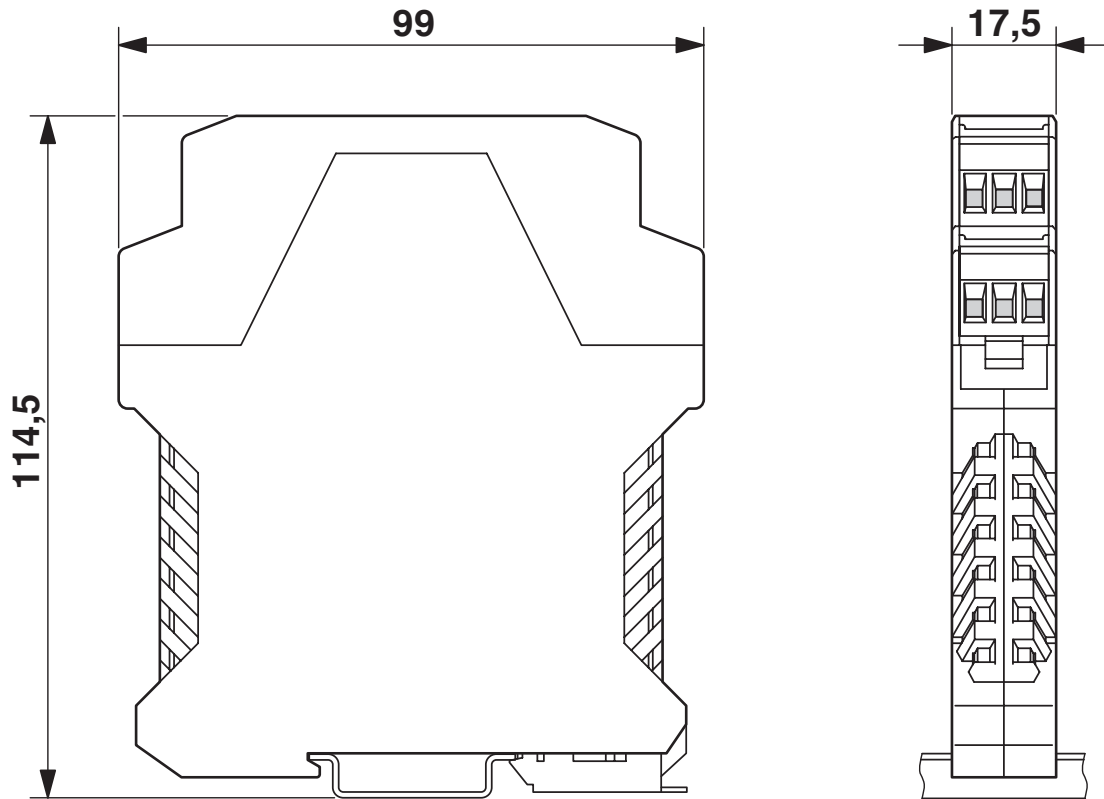


2814867

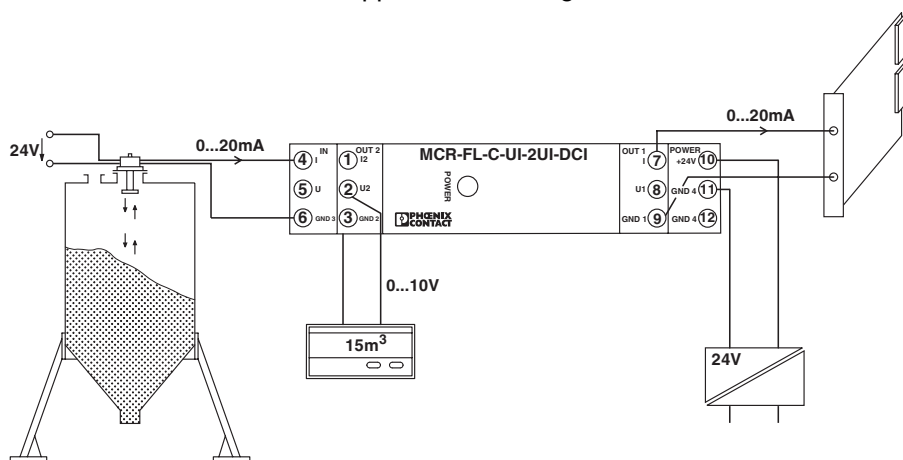
<https://www.phoenixcontact.com/us/products/2814867>

Drawings

Dimensional drawing



Application drawing



Application example: - Level measurement with subsequent signal multiplication

1 = filling level sensor

2 = control

3 = mains voltage

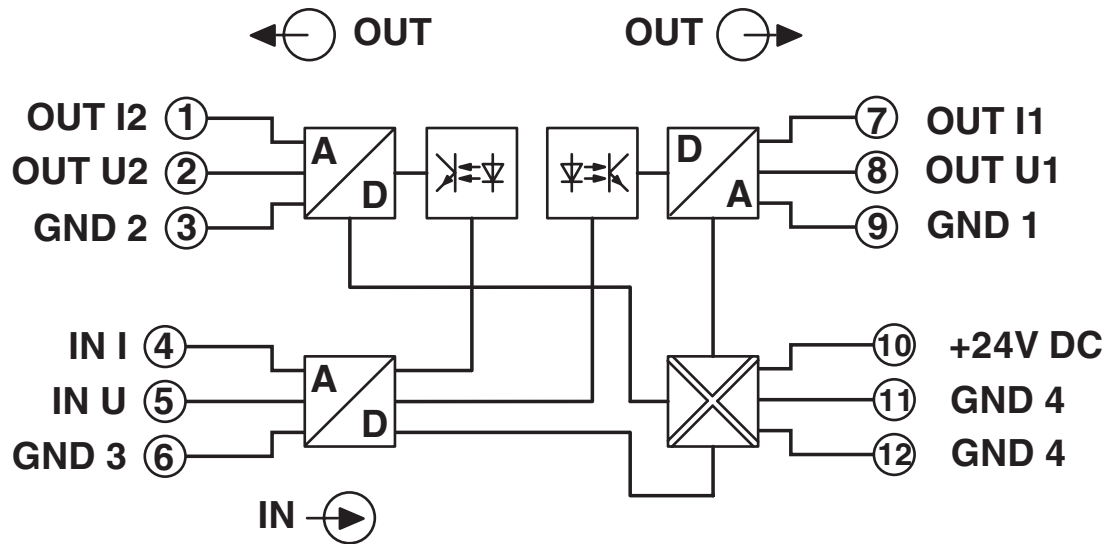
MCR-FL-C-UI-2UI-DCI-NC - Input signal conditioner



2814867

<https://www.phoenixcontact.com/us/products/2814867>

Circuit diagram



2814867

<https://www.phoenixcontact.com/us/products/2814867>

Environmental product compliance

EU RoHS

Fulfills EU RoHS substance requirements	Yes
Exemption	6(c), 7(a), 7(c)-I

China RoHS

Environment friendly use period (EFUP)	EFUP-50
	An article-related China RoHS declaration table can be found in the download area for the respective article under "Manufacturer declaration". For all articles with EFUP-E, no China RoHS declaration table issued and required.

EU REACH SVHC

REACH candidate substance (CAS No.)	Hexahydromethylphthalic anhydride(CAS: n/a)
	Lead(CAS: 7439-92-1)

Phoenix Contact 2026 © - all rights reserved

<https://www.phoenixcontact.com>

Phoenix Contact USA
586 Fulling Mill Road
Middletown, PA 17057, United States
(+717) 944-1300
info@phoenixcon.com