

# MCR-S-1-5-UI-SW-DCI-NC - Current measuring transducer



2814731

<https://www.phoenixcontact.com/us/products/2814731>

Please be informed that the data shown in this PDF document is generated from our online catalog. Please find the complete data in the user documentation. Our general terms of use for downloads are valid.



MCR current transducer, programmable and configurable, for measuring direct, alternating and distorted currents, with relay and transistor output, input current 0 ... 0.2 A to 0 ... 11 A, unconfigured

## Your advantages

- Device can be set via DIP switches or MCR/PI-CONF-WIN configuration software
- 3-way isolation
- True r.m.s. value measurement

## Commercial data

Item number	2814731
Packing unit	1 pc
Minimum order quantity	1 pc
Sales key	C444
Product key	CMMA33
GTIN	4017918169282
Weight per piece (including packing)	203.9 g
Weight per piece (excluding packing)	149.08 g
Customs tariff number	85437090
Country of origin	DE

# MCR-S-1-5-UI-SW-DCI-NC - Current measuring transducer



2814731

<https://www.phoenixcontact.com/us/products/2814731>

## Technical data

### Product properties

Product type	Current measuring transducer
--------------	------------------------------

### Insulation characteristics

Overvoltage category	III
Pollution degree	2

### Electrical properties

Total error	≤ 1.5 % (Temperature range)
Maximum power dissipation for nominal condition	2.2 W
Measuring category	III
Test voltage output/power supply	500 V AC (50 Hz, 60 s)
Test voltage input/output	4 kV AC (50 Hz, 60 s)
Test voltage input/power supply	4 kV AC (50 Hz, 60 s)
Protective circuit	Surge protection; 33 V suppressor diode
Step response (10-90%)	330 ms (AC) 40 ms (DC)
Temperature coefficient, typical	< 0.025 %/K
Maximum transmission error	< 0.5 % (of nominal range value under nominal conditions)
Rated insulation voltage	300 V AC (to earth)

### Supply

Supply voltage range	20 V DC ... 30 V DC
Max. current consumption	< 50 mA (without load)

### Input data

#### Measurement

Number of inputs	3
Configurable/programmable	Yes, unconfigured
Input current range	0 A AC/DC ... 11 A AC/DC (Permitted continuous overload: 120%)
Measuring range	0 A AC/DC ... 1 A AC/DC 0 A AC/DC ... 5 A AC/DC 0 A AC/DC ... 10 A AC/DC
Setting range for min. input current	0 mA AC/DC ... 200 mA AC/DC
Setting range for max. input current	0 A AC/DC ... 11 A AC/DC
LSB: Current	1 μA (1 A) 2 μA (2 A) 5 μA (5 A) 10 μA (10 A) 50 μA (50 A) 100 μA (100 A)

# MCR-S-1-5-UI-SW-DCI-NC - Current measuring transducer



2814731

<https://www.phoenixcontact.com/us/products/2814731>

Overload capacity	2 x I <sub>N</sub> (continuous)
Surge strength	20 x I <sub>N</sub> (1 s)
Frequency measuring range	15 Hz ... 400 Hz
Curve type	AC, DC or distorted currents
Operate threshold	2 % (of measuring range nominal value 1/5/10 A)

## Output data

### Switching: Relay

Contact switching type	1 changeover contact
Contact material	AgSnO, hard gold-plated
Maximum switching voltage	30 V AC
	36 V DC
	250 V AC
Limiting continuous current	50 mA (for gold layer, 30 V AC/ 36 V DC)
	2 A (in case of a destroyed gold layer, 250 V AC)

### Switching: Transistor

Continuous load current	80 mA (Not short-circuit proof)
Output voltage range	19 V ... 29 V (supply voltage - 1 V)
Setting range of the threshold value	1 % ... 110 %
Setting range of the response delay	0.1 s ... 20 s
Status display	LED (yellow)

### Signal: Voltage/current

Configurable/programmable	Yes, unconfigured
Voltage output signal	0 V ... 5 V
	1 V ... 5 V
	0 V ... 10 V
	2 V ... 10 V
	-5 V ... 5 V
	-10 V ... 10 V
	10 V ... 0 V
	10 V ... 2 V
	10 V ... -10 V
	5 V ... 0 V
	5 V ... 1 V
5 V ... -5 V	
Current output signal	0 mA ... 20 mA
	4 mA ... 20 mA
	20 mA ... 0 mA
	20 mA ... 4 mA
Load/output load voltage output	> 10 kΩ
Load/output load current output	< 500 Ω

## Connection data

# MCR-S-1-5-UI-SW-DCI-NC - Current measuring transducer



2814731

<https://www.phoenixcontact.com/us/products/2814731>

Connection method	Screw connection
Stripping length	8 mm
Screw thread	M3
Conductor cross-section rigid	0.2 mm <sup>2</sup> ... 2.5 mm <sup>2</sup>
Conductor cross-section flexible	0.2 mm <sup>2</sup> ... 2.5 mm <sup>2</sup>
Conductor cross-section AWG	24 ... 14

## Signaling

Status display	LED (green)
----------------	-------------

## Dimensions

### Item dimensions

Width	22.5 mm
Height	99 mm
Depth	114.5 mm

## Material specifications

Color	green (RAL 6021)
Housing material	Polyamide PA non-reinforced

## Environmental and real-life conditions

### Ambient conditions

Degree of protection	IP20
Ambient temperature (operation)	-20 °C ... 60 °C
Ambient temperature (storage/transport)	-40 °C ... 85 °C
Altitude	< 2000 m
Permissible humidity (operation)	10 % ... 95 % (non-condensing)

## Approvals

### CE

Certificate	CE-compliant
-------------	--------------

### UL, USA/Canada

Identification	Class I, Zone 2, AEx nA nC IIC T4, Ex nA nC IIC T4 Gc X Class I, Div. 2, Groups A, B, C and D or Non-Hazardous Locations Only
----------------	--

## EMC data

Electromagnetic compatibility	Conformance with EMC directive
Low Voltage Directive	Conformance with Low Voltage Directive
Noise immunity	EN 61000-6-2

### Noise emission

Standards/regulations	EN 61000-6-4
-----------------------	--------------

# MCR-S-1-5-UI-SW-DCI-NC - Current measuring transducer



2814731

<https://www.phoenixcontact.com/us/products/2814731>

## Standards and regulations

Standards/regulations	IEC 61010-2-030
-----------------------	-----------------

## Mounting

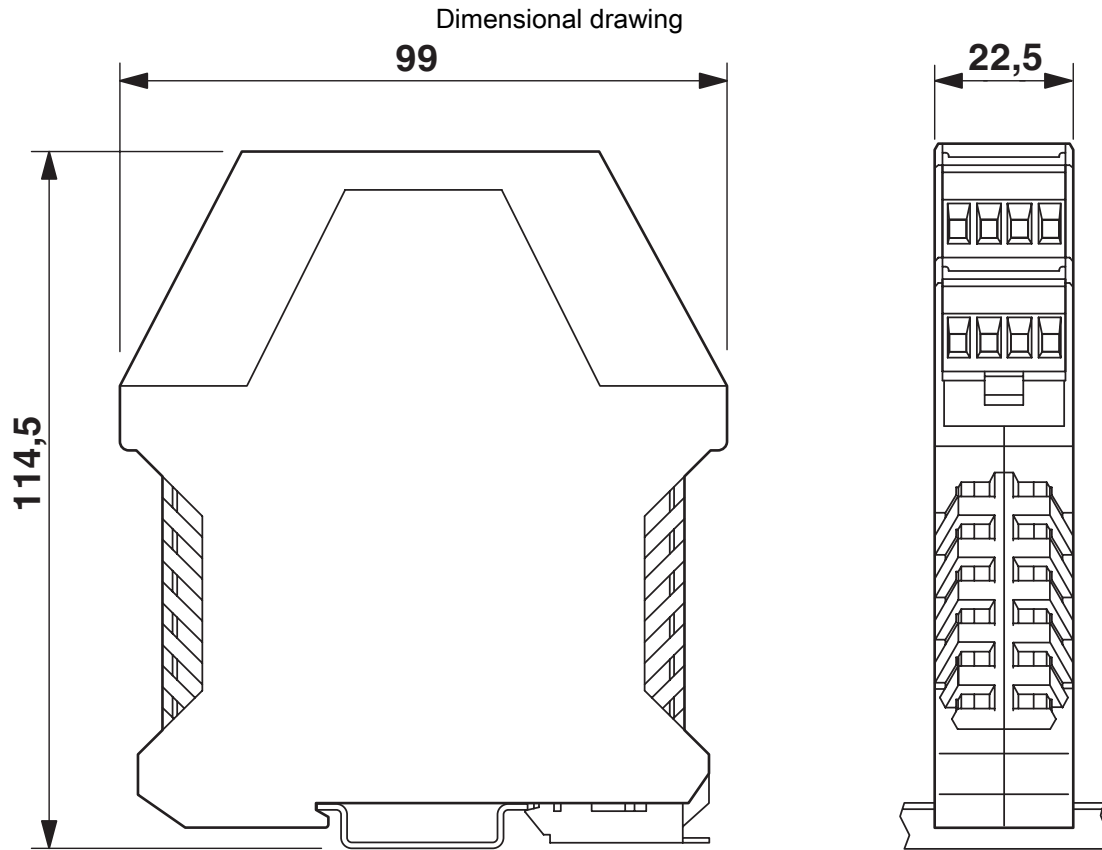
Mounting type	DIN rail mounting
Mounting position	any

# MCR-S-1-5-UI-SW-DCI-NC - Current measuring transducer

2814731

<https://www.phoenixcontact.com/us/products/2814731>

## Drawings



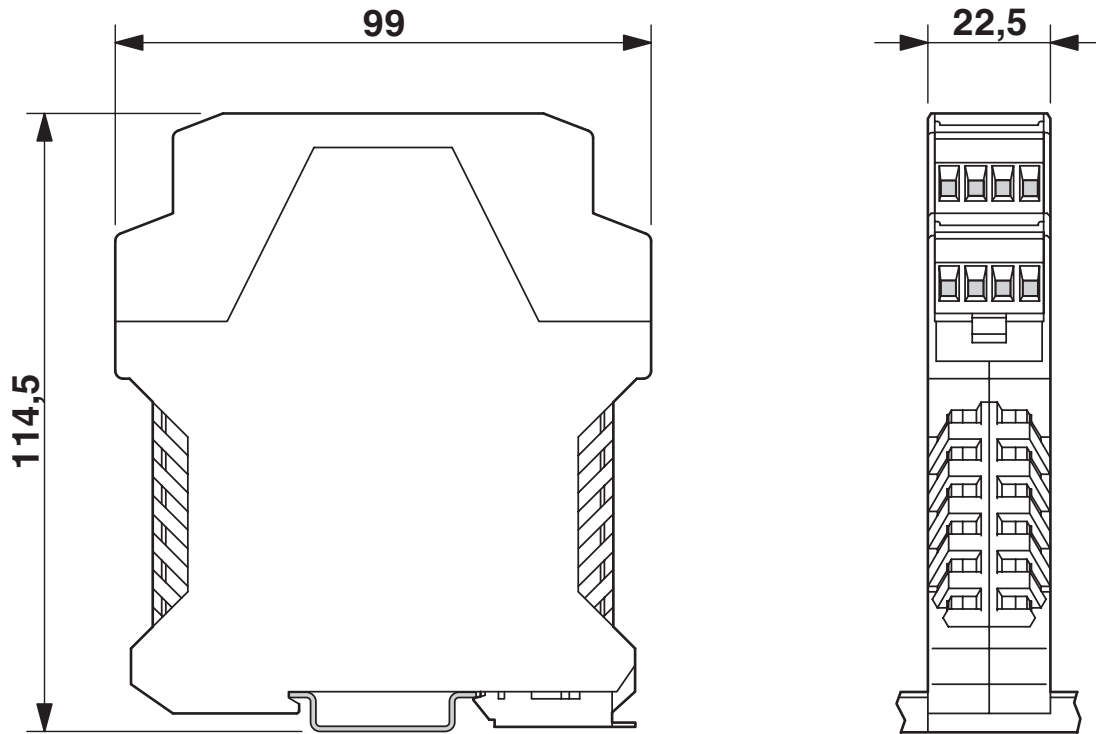
# MCR-S-1-5-UI-SW-DCI-NC - Current measuring transducer



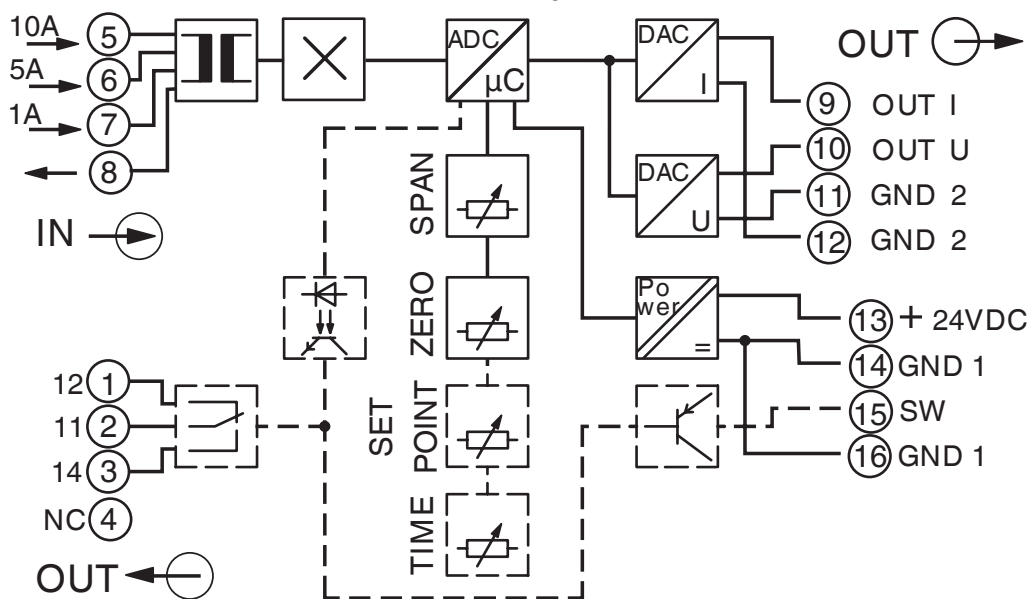
2814731

<https://www.phoenixcontact.com/us/products/2814731>

Dimensional drawing



Circuit diagram



# MCR-S-1-5-UI-SW-DCI-NC - Current measuring transducer



2814731

<https://www.phoenixcontact.com/us/products/2814731>

## Classifications

### ECLASS

ECLASS-13.0

27210123

### ETIM

ETIM 9.0

EC002475

### UNSPSC

UNSPSC 21.0

39121000

# MCR-S-1-5-UI-SW-DCI-NC - Current measuring transducer



2814731

<https://www.phoenixcontact.com/us/products/2814731>

## Environmental product compliance

### EU RoHS

Fulfills EU RoHS substance requirements	Yes
Exemption	6(c), 7(a), 7(c)-I

### China RoHS

Environment friendly use period (EFUP)	EFUP-50
	An article-related China RoHS declaration table can be found in the download area for the respective article under "Manufacturer declaration". For all articles with EFUP-E, no China RoHS declaration table issued and required.

### EU REACH SVHC

REACH candidate substance (CAS No.)	Hexahydromethylphthalic anhydride(CAS: n/a)
	Lead(CAS: 7439-92-1)
	2,2',6,6'-tetrabromo-4,4'-isopropylidenediphenol(CAS: 79-94-7)
SCIP	559130c9-efe2-4ff8-9e29-a228cb04a43f

Phoenix Contact 2026 © - all rights reserved  
<https://www.phoenixcontact.com>

Phoenix Contact USA  
586 Fulling Mill Road  
Middletown, PA 17057, United States  
(+717) 944-1300  
[info@phoenixcon.com](mailto:info@phoenixcon.com)