

# MCR-S10-50-UI-DCI-NC - Current measuring transducer



2814728

<https://www.phoenixcontact.com/us/products/2814728>

Please be informed that the data shown in this PDF document is generated from our online catalog. Please find the complete data in the user documentation. Our general terms of use for downloads are valid.



MCR current measuring transducer, programmable and configurable, for measuring direct, alternating and distorted currents, input current 0...10 to 0...50 A, unconfigured

## Your advantages

- 3-way isolation
- True r.m.s. value measurement
- Device can be set via DIP switches or MCR/PI-CONF-WIN configuration software

## Commercial data

Item number	2814728
Packing unit	1 pc
Minimum order quantity	1 pc
Sales key	C444
Product key	CMMA34
GTIN	4017918169305
Weight per piece (including packing)	173 g
Weight per piece (excluding packing)	119.48 g
Customs tariff number	85437090
Country of origin	DE

# MCR-S10-50-UI-DCI-NC - Current measuring transducer



2814728

<https://www.phoenixcontact.com/us/products/2814728>

## Technical data

### Product properties

Product type	Current measuring transducer
--------------	------------------------------

### Insulation characteristics

Overvoltage category	III
Pollution degree	2

### Electrical properties

Total error	≤ 1.5 % (Temperature range)
Maximum power dissipation for nominal condition	2.2 W
Measuring category	III
Test voltage output/power supply	500 V AC (50 Hz, 60 s)
Test voltage input/output	4 kV AC (50 Hz, 60 s)
Test voltage input/power supply	4 kV AC (50 Hz, 60 s)
Protective circuit	Surge protection; 33 V suppressor diode
Step response (10-90%)	330 ms (AC) 40 ms (DC)
Temperature coefficient, typical	< 0.025 %/K
Maximum transmission error	< 0.5 % (of nominal range value under nominal conditions)
Rated insulation voltage	300 V AC (to earth)

### Supply

Supply voltage range	20 V DC ... 30 V DC
Max. current consumption	< 40 mA (without load)

### Input data

#### Signal

Supply voltage	24 V DC
----------------	---------

#### Measurement

Configurable/programmable	Yes, unconfigured
Input current range	0 A AC/DC ... 55 A AC/DC (Permitted continuous overload: 120%)
Measuring range	0 A AC/DC ... 50 A AC/DC
Setting range for min. input current	0 A AC/DC ... 9.5 A AC/DC
Setting range for max. input current	0 A AC/DC ... 55 A AC/DC
LSB: Current	1 µA (1 A) 2 µA (2 A) 5 µA (5 A) 10 µA (10 A) 50 µA (50 A) 100 µA (100 A)
Overload capacity	Depending on through connected conductor

# MCR-S10-50-UI-DCI-NC - Current measuring transducer



2814728

<https://www.phoenixcontact.com/us/products/2814728>

Surge strength	Depending on through connected conductor
Frequency measuring range	15 Hz ... 400 Hz
Curve type	AC, DC or distorted currents
Operate threshold	0.8 % (of measuring range nominal value 50 A)

## Output data

Signal: Voltage/current

Configurable/programmable	Yes, unconfigured
Voltage output signal	0 V ... 5 V
	1 V ... 5 V
	0 V ... 10 V
	2 V ... 10 V
	-5 V ... 5 V
	-10 V ... 10 V
	10 V ... 0 V
	10 V ... 2 V
	10 V ... -10 V
	5 V ... 0 V
	5 V ... 1 V
	5 V ... -5 V
Current output signal	0 mA ... 20 mA
	4 mA ... 20 mA
	20 mA ... 0 mA
	20 mA ... 4 mA
Load/output load voltage output	> 10 k $\Omega$
Load/output load current output	< 500 $\Omega$

## Connection data

Connection method	Screw connection
Stripping length	8 mm
Screw thread	M3
Conductor cross-section rigid	0.2 mm <sup>2</sup> ... 2.5 mm <sup>2</sup>
Conductor cross-section flexible	0.2 mm <sup>2</sup> ... 2.5 mm <sup>2</sup>
Conductor cross-section AWG	24 ... 14
Connection method	Through connection

## Signaling

Status display	LED (green)
----------------	-------------

## Dimensions

Item dimensions

Width	22.5 mm
Height	99 mm

# MCR-S10-50-UI-DCI-NC - Current measuring transducer



2814728

<https://www.phoenixcontact.com/us/products/2814728>

Depth	114.5 mm
-------	----------

## Circular conductor

Diameter	10.5 mm
----------	---------

## Material specifications

Color	green (RAL 6021)
Housing material	Polyamide PA non-reinforced

## Environmental and real-life conditions

### Ambient conditions

Degree of protection	IP20
Ambient temperature (operation)	-20 °C ... 60 °C
Ambient temperature (storage/transport)	-40 °C ... 85 °C
Altitude	< 2000 m
Permissible humidity (operation)	10 % ... 95 % (non-condensing)

## Approvals

### CE

Certificate	CE-compliant
-------------	--------------

### UL, USA/Canada

Identification	Class I, Zone 2, AEx nA nC IIC T4, Ex nA nC IIC T4 Gc X
	Class I, Div. 2, Groups A, B, C and D or Non-Hazardous Locations Only

## EMC data

Electromagnetic compatibility	Conformance with EMC directive
Low Voltage Directive	Conformance with Low Voltage Directive
Noise immunity	EN 61000-6-2

### Noise emission

Standards/regulations	EN 61000-6-4
-----------------------	--------------

## Standards and regulations

Standards/regulations	IEC 61010-2-030
-----------------------	-----------------

## Mounting

Mounting type	DIN rail mounting
Mounting position	any

# MCR-S10-50-UI-DCI-NC - Current measuring transducer

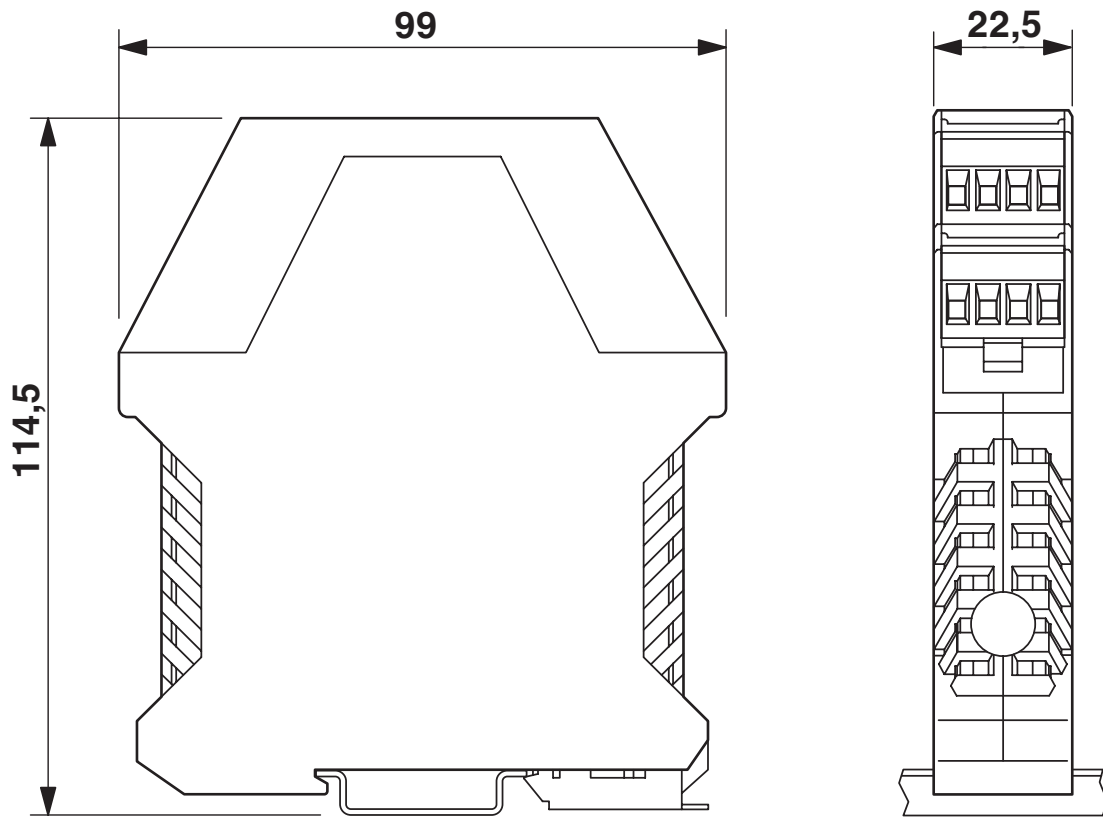


2814728

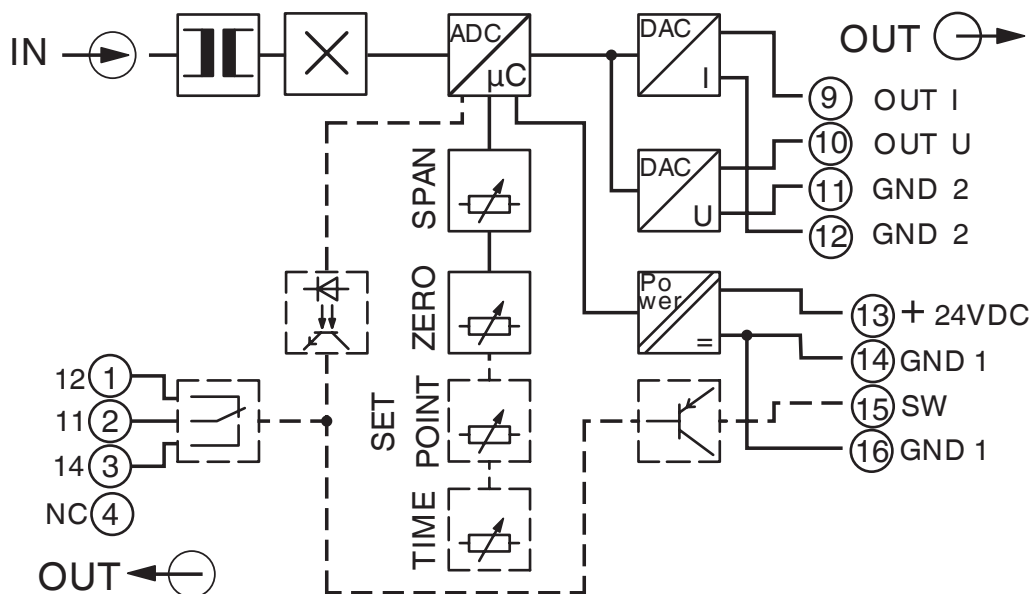
<https://www.phoenixcontact.com/us/products/2814728>

## Drawings

Dimensional drawing



Circuit diagram



# MCR-S10-50-UI-DCI-NC - Current measuring transducer



2814728

<https://www.phoenixcontact.com/us/products/2814728>

## Classifications

### ECLASS

ECLASS-13.0

27210123

### ETIM

ETIM 9.0

EC002475

### UNSPSC

UNSPSC 21.0

39121000

# MCR-S10-50-UI-DCI-NC - Current measuring transducer



2814728

<https://www.phoenixcontact.com/us/products/2814728>

## Environmental product compliance

### EU RoHS

Fulfills EU RoHS substance requirements	Yes
Exemption	6(c), 7(a), 7(c)-I

### China RoHS

Environment friendly use period (EFUP)	EFUP-50
	An article-related China RoHS declaration table can be found in the download area for the respective article under "Manufacturer declaration". For all articles with EFUP-E, no China RoHS declaration table issued and required.

### EU REACH SVHC

REACH candidate substance (CAS No.)	Hexahydromethylphthalic anhydride(CAS: n/a)
	Lead(CAS: 7439-92-1)
	2,2',6,6'-tetrabromo-4,4'-isopropylidenediphenol(CAS: 79-94-7)
SCIP	a8e057f3-2197-4325-91ec-7c977a01171b

Phoenix Contact 2026 © - all rights reserved  
<https://www.phoenixcontact.com>

Phoenix Contact USA  
586 Fulling Mill Road  
Middletown, PA 17057, United States  
(+717) 944-1300  
[info@phoenixcon.com](mailto:info@phoenixcon.com)