

# MCR-CPS-I-I-44-E - Repeater power supply



2814553

<https://www.phoenixcontact.com/us/products/2814553>

Please be informed that the data shown in this PDF document is generated from our online catalog. Please find the complete data in the user documentation. Our general terms of use for downloads are valid.

MCR repeater power supplies, input signal: 4...20 mA, output signal: 4...20 mA



## Commercial data

Item number	2814553
Packing unit	1 pc
Note	Made to order (non-returnable)
Sales key	C401
Product key	DK1XXX
GTIN	4017918148515
Weight per piece (including packing)	134.6 g
Weight per piece (excluding packing)	108.5 g
Customs tariff number	85437090
Country of origin	DE

# MCR-CPS-I-I-44-E - Repeater power supply



2814553


<https://www.phoenixcontact.com/us/products/2814553>

## Technical data

### Product properties

Product type	Isolating switch amplifier
No. of channels	1

### Electrical properties

Limit frequency (3 dB)	30 Hz
Test voltage, input/output/supply	1 kV AC (50 Hz, 60 s)
Protective circuit	Transient protection
Step response (10-90%)	≈  ms
Maximum temperature coefficient	< 0.01 %
Maximum transmission error	≤ 0.1 % (of final value)

### Supply

Supply voltage range	20 V DC ... 30 V DC
Max. current consumption	approx. 70 mA

### Input data

#### Signal

Description of the input	Current input (sensor circuit)
Current input signal	4 mA ... 20 mA
Max. current input signal	100 mA
Transmitter supply voltage range	20 V ... 30 V
Transmitter supply current	< 30 mA

### Output data

#### Signal: Current output

Current output signal	4 mA ... 20 mA
Max. current output signal	approx. 28 mA
Output current with wire break	0 mA
Output current with short-circuit	> 20 mA
Load/output load current output	≤ 500 Ω

### Connection data

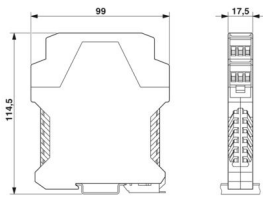
Connection method	Pluggable screw connection
Stripping length	8 mm
Screw thread	M3
Conductor cross-section rigid	0.2 mm <sup>2</sup> ... 2.5 mm <sup>2</sup>
Conductor cross-section flexible	0.2 mm <sup>2</sup> ... 2.5 mm <sup>2</sup>
Conductor cross-section AWG	24 ... 14

### Dimensions

# MCR-CPS-I-I-44-E - Repeater power supply

2814553

<https://www.phoenixcontact.com/us/products/2814553>

Dimensional drawing	
Width	17.5 mm
Height	99 mm
Depth	114.5 mm

## Material specifications

Color	green (RAL 6021)
Housing material	Polyamide PA non-reinforced

## Environmental and real-life conditions

### Ambient conditions

Ambient temperature (operation)	-20 °C ... 65 °C
---------------------------------	------------------

## Approvals

### CE

Certificate	CE-compliant
-------------	--------------

### UL, USA/Canada

Identification	cULus
----------------	-------

## Mounting

Mounting position	any
-------------------	-----

# MCR-CPS-I-I-44-E - Repeater power supply

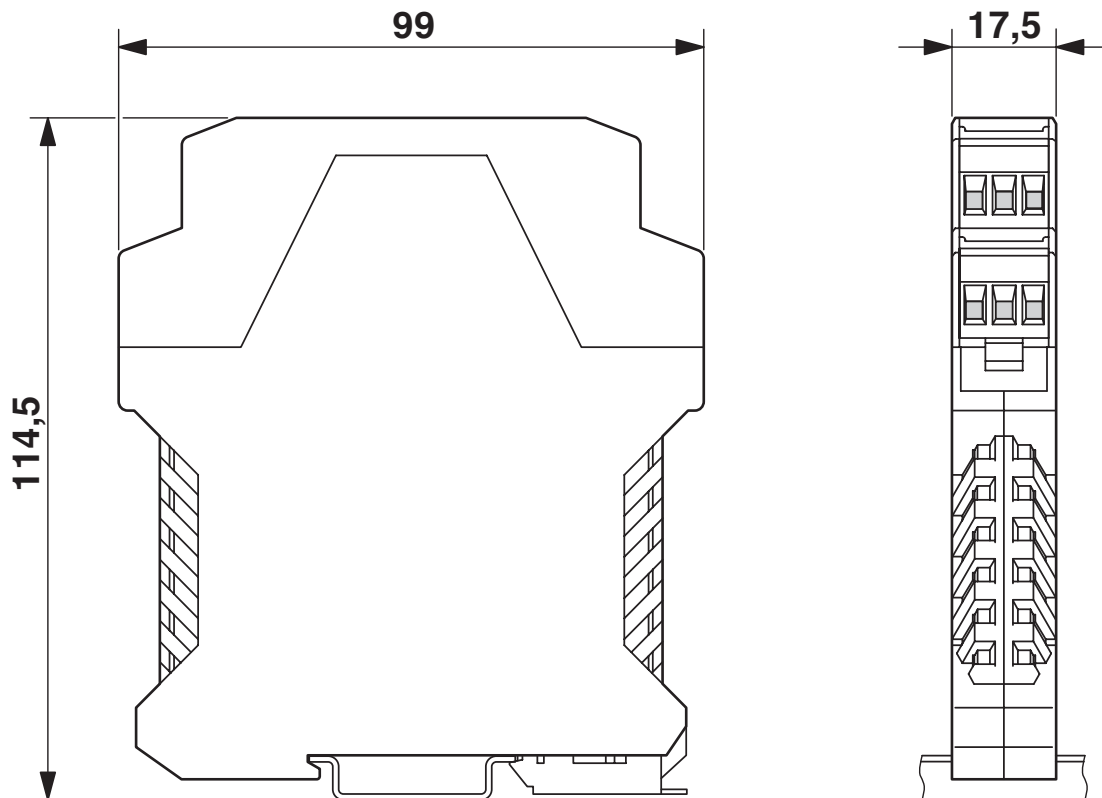


2814553

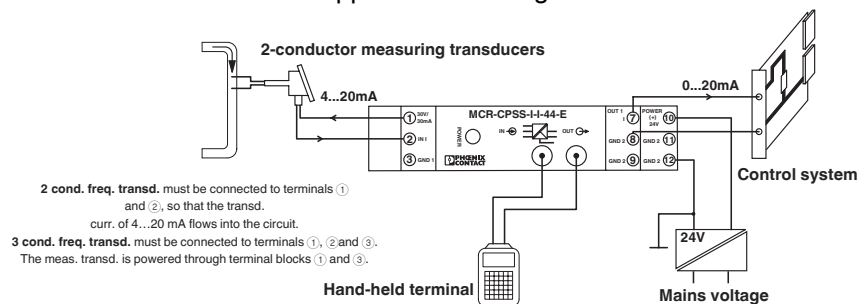
<https://www.phoenixcontact.com/us/products/2814553>

## Drawings

Dimensional drawing



Application drawing

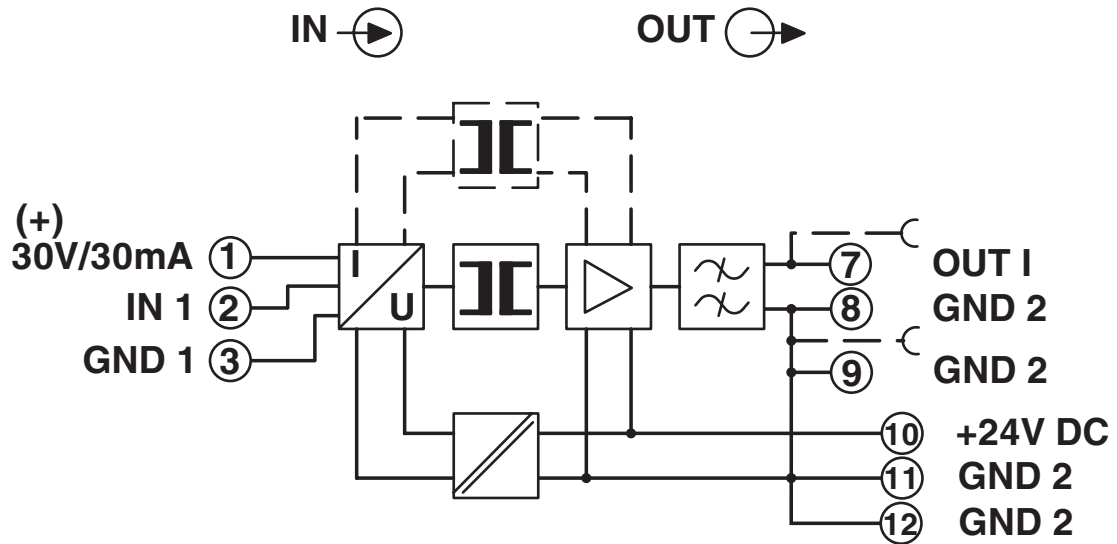


# MCR-CPS-I-I-44-E - Repeater power supply

2814553

<https://www.phoenixcontact.com/us/products/2814553>

Circuit diagram



# MCR-CPS-I-I-44-E - Repeater power supply



2814553

<https://www.phoenixcontact.com/us/products/2814553>

## Environmental product compliance

EU REACH SVHC

REACH candidate substance (CAS No.)	
-------------------------------------	--

	No substance above 0.1 wt%
--	----------------------------

Phoenix Contact 2026 © - all rights reserved

<https://www.phoenixcontact.com>

Phoenix Contact USA  
586 Fulling Mill Road  
Middletown, PA 17057, United States  
(+717) 944-1300  
[info@phoenixcon.com](mailto:info@phoenixcon.com)