

# MCR-C-I-I-40-DC - Signal conditioner



2814524

<https://www.phoenixcontact.com/us/products/2814524>

Please be informed that the data shown in this PDF document is generated from our online catalog. Please find the complete data in the user documentation. Our general terms of use for downloads are valid.



MCR 3-way isolating amplifier, for electrical isolation of analog signals, input signal: 4 mA ... 20 mA, output signal: 0 mA ... 20 mA

The figure shows version MCR-C-I-I-00-DC

## Your advantages

- 3-way isolation
- Fixed setting of input and output signals
- Processing of standard signals

## Commercial data

Item number	2814524
Packing unit	1 pc
Note	Made to order (non-returnable)
Sales key	NULL
Product key	DK1XXX
GTIN	4017918156213
Weight per piece (including packing)	89.22 g
Weight per piece (excluding packing)	82.02 g
Customs tariff number	85437090
Country of origin	DE

# MCR-C-I-I-40-DC - Signal conditioner



2814524

<https://www.phoenixcontact.com/us/products/2814524>

## Technical data

### Notes

#### Utilization restriction

EMC note	EMC: class A product, see manufacturer's declaration in the download area
----------	---

### Product properties

Product type	Signal conditioner
No. of channels	1

### Electrical properties

Limit frequency (3 dB)	30 Hz
Test voltage, input/output/supply	1.5 kV AC (50 Hz, 60 s)
Protective circuit	Transient protection
Step response (10-90%)	11 ms
Maximum temperature coefficient	< 0.015 %/K
Maximum transmission error	≤ 0.3 % (of final value)
Transmission error, typical	< 0.2 % (of final value)

#### Supply

Supply voltage range	20 V DC ... 30 V DC
Typical current consumption	< 15 mA (without load)

### Input data

#### Signal

Description of the input	Current input
Configurable/programmable	no
Current input signal	4 mA ... 20 mA
Max. current input signal	50 mA
Input resistance current input	50 Ω

### Output data

#### Signal: Current output

Configurable/programmable	no
Current output signal	0 mA ... 20 mA
Max. current output signal	30 mA
Load/output load current output	≤ 500 Ω
Linear transmission range (in reference to the output range end value)	-5 % ... 105 %

### Connection data

Connection method	Pluggable screw connection
-------------------	----------------------------

# MCR-C-I-I-40-DC - Signal conditioner



2814524

<https://www.phoenixcontact.com/us/products/2814524>

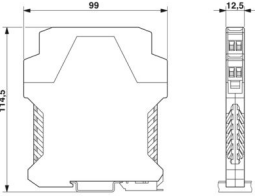
Stripping length	8 mm
Screw thread	M3
Conductor cross-section rigid	0.2 mm <sup>2</sup> ... 2.5 mm <sup>2</sup>
Conductor cross-section flexible	0.2 mm <sup>2</sup> ... 2.5 mm <sup>2</sup>
Conductor cross-section AWG	24 ... 14

## Interfaces

### Data communication (bypass)

Limit frequency (3 dB)	30 Hz
------------------------	-------

## Dimensions

Dimensional drawing	
Width	12.5 mm
Height	99 mm
Depth	114.5 mm

## Material specifications

Color	green (RAL 6021)
Housing material	Polyamide PA non-reinforced

## Environmental and real-life conditions

### Ambient conditions

Ambient temperature (operation)	-25 °C ... 60 °C
---------------------------------	------------------

## Approvals

### CE

Certificate	CE-compliant
-------------	--------------

## Mounting

Mounting position	any
-------------------	-----

# MCR-C-I-I-40-DC - Signal conditioner

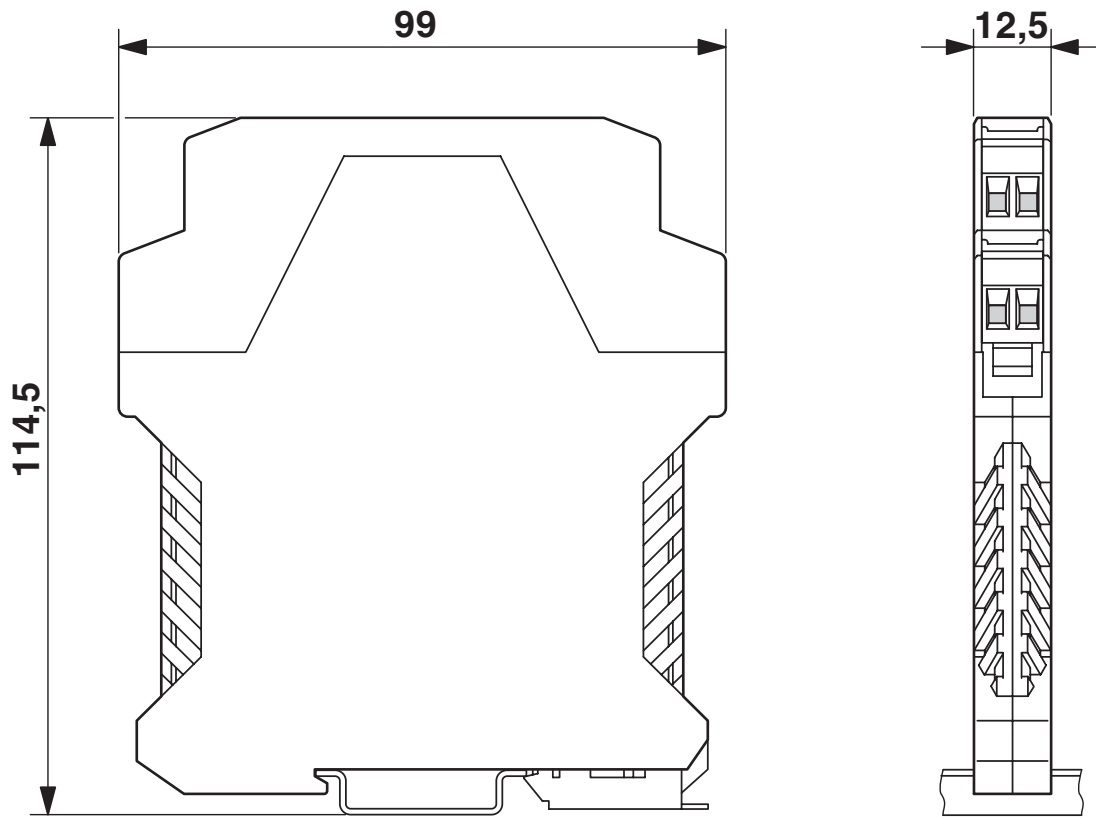
2814524

<https://www.phoenixcontact.com/us/products/2814524>

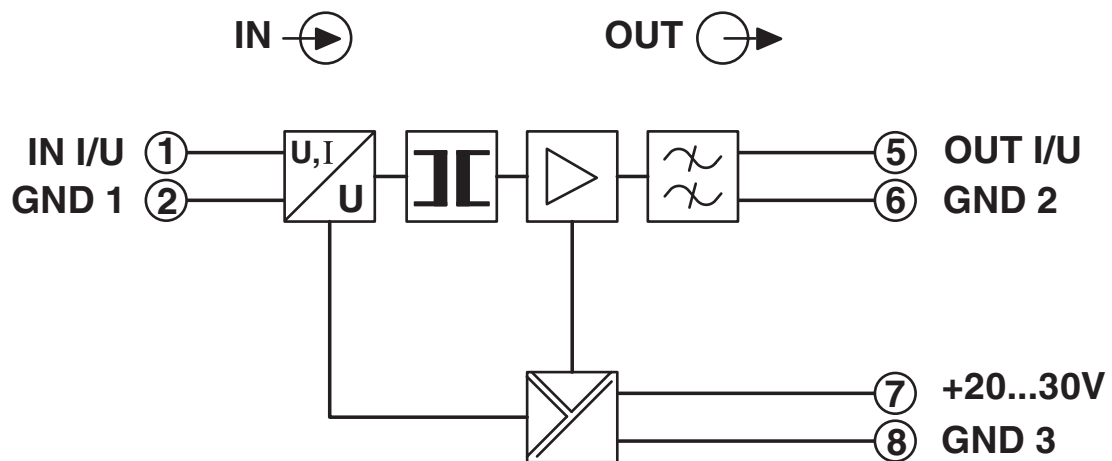


## Drawings

Dimensional drawing



Circuit diagram



# MCR-C-I-I-40-DC - Signal conditioner



2814524

<https://www.phoenixcontact.com/us/products/2814524>

## Environmental product compliance

EU REACH SVHC

REACH candidate substance (CAS No.)	No substance above 0.1 wt%
-------------------------------------	----------------------------

Phoenix Contact 2026 © - all rights reserved

<https://www.phoenixcontact.com>

Phoenix Contact USA  
586 Fulling Mill Road  
Middletown, PA 17057, United States  
(+717) 944-1300  
[info@phoenixcon.com](mailto:info@phoenixcon.com)