

# MCR-4CLP-I-I-00 - Passive separator



2814045

<https://www.phoenixcontact.com/us/products/2814045>

Please be informed that the data shown in this PDF document is generated from our online catalog. Please find the complete data in the user documentation. Our general terms of use for downloads are valid.



MCR passive isolator, for the electrical isolation of current signals without auxiliary power, 4-channel, input signal: 0(4)...20 mA, output signal: 0(4)...20 mA

## Your advantages

- 1, 2 or 4-channel version as an option
- Electrical isolation without additional auxiliary voltage
- 0/4 ... 20 mA current signals

## Commercial data

|                                      |                                |
|--------------------------------------|--------------------------------|
| Item number                          | 2814045                        |
| Packing unit                         | 1 pc                           |
| Minimum order quantity               | 1 pc                           |
| Note                                 | Made to order (non-returnable) |
| Sales key                            | C401                           |
| Product key                          | DK1XXX                         |
| GTIN                                 | 4017918131708                  |
| Weight per piece (including packing) | 146.8 g                        |
| Weight per piece (excluding packing) | 146.8 g                        |
| Customs tariff number                | 85437090                       |
| Country of origin                    | DE                             |

# MCR-4CLP-I-I-00 - Passive separator



2814045

<https://www.phoenixcontact.com/us/products/2814045>

## Technical data

### Product properties

|                 |                   |
|-----------------|-------------------|
| Product type    | Passive separator |
| No. of channels | 4                 |

### Electrical properties

|   |  |
|---|--|
| Electrical isolation between input and output   | yes  |
| Limit frequency (3 dB)                          | < 75 Hz                                      |
| Maximum power dissipation for nominal condition | 200 mW                                       |
| Test voltage input/output                       | 510 V AC (50 Hz, 60 s)                       |
| Signal transmission behavior                    | In = Out                                     |
| Step response (10-90%)                          | 5 ms (with 500 Ω load)                       |
| Maximum temperature coefficient                 | ≤ 0.002 %/K (of measured value / 100 Ω load) |
| Maximum transmission error                      | ≤ 0.1 % (of final value)                     |
| Additional error, load-dependent                | 0.02 % (of measured value)                   |

### Supply

|                      |                                      |
|----------------------|--------------------------------------|
| Supply voltage range | no separate supply voltage necessary |
|----------------------|--------------------------------------|

### Input data

#### Signal

|                           |                                  |
|---------------------------|----------------------------------|
| Description of the input  | Current input                    |
| Number of inputs          | 4                                |
| Configurable/programmable | no                               |
| Max. voltage input signal | 30 V (30 V overload)             |
| Current input signal      | 0 mA ... 20 mA<br>4 mA ... 20 mA |
| Max. current input signal | 50 mA (100 mA overload)          |
| Response current          | < 50 μA                          |
| Input voltage limitation  | 33 V (with Zener diode)          |
| Voltage dissipation       | 2.5 V (I = 20 mA)                |

### Output data

#### Signal: Current

|                                 |                                       |
|---------------------------------|---------------------------------------|
| Number of outputs               | 4                                     |
| Configurable/programmable       | no                                    |
| Current output signal           | 0 mA ... 20 mA<br>4 mA ... 20 mA      |
| Max. current output signal      | < 50 mA                               |
| Load/output load current output | ≤ 1375 Ω (at I = 20 mA output signal) |
| Ripple                          | < 5 mV (rms)                          |

# MCR-4CLP-I-I-00 - Passive separator

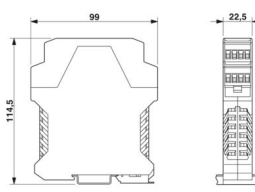
2814045

<https://www.phoenixcontact.com/us/products/2814045>

## Connection data

|                                  |   |
|----------------------------------|---|
| Connection method                | Pluggable screw connection                  |
| Stripping length                 | 8 mm  |
| Screw thread                     | M3  |
| Conductor cross-section rigid    | 0.2 mm <sup>2</sup> ... 2.5 mm <sup>2</sup> |
| Conductor cross-section flexible | 0.2 mm <sup>2</sup> ... 2.5 mm <sup>2</sup> |
| Conductor cross-section AWG      | 24 ... 14                                   |

## Dimensions

|                     |  |
|---------------------|--|
| Dimensional drawing |  |
| Width               | 22.5 mm  |
| Height              | 99 mm  |
| Depth               | 114.5 mm   |

## Material specifications

|                  |                             |
|------------------|-----------------------------|
| Color            | green (RAL 6021)            |
| Housing material | Polyamide PA non-reinforced |

## Environmental and real-life conditions

### Ambient conditions

|                                 |                  |
|---------------------------------|------------------|
| Degree of protection            | IP20             |
| Ambient temperature (operation) | -10 °C ... 70 °C |

## Approvals

### CE

|             |              |
|-------------|--------------|
| Certificate | CE-compliant |
|-------------|--------------|

### UL, USA/Canada

|                |       |
|----------------|-------|
| Identification | cULus |
|----------------|-------|

## Mounting

|                   |                   |
|-------------------|-------------------|
| Mounting type     | DIN rail mounting |
| Mounting position | any               |

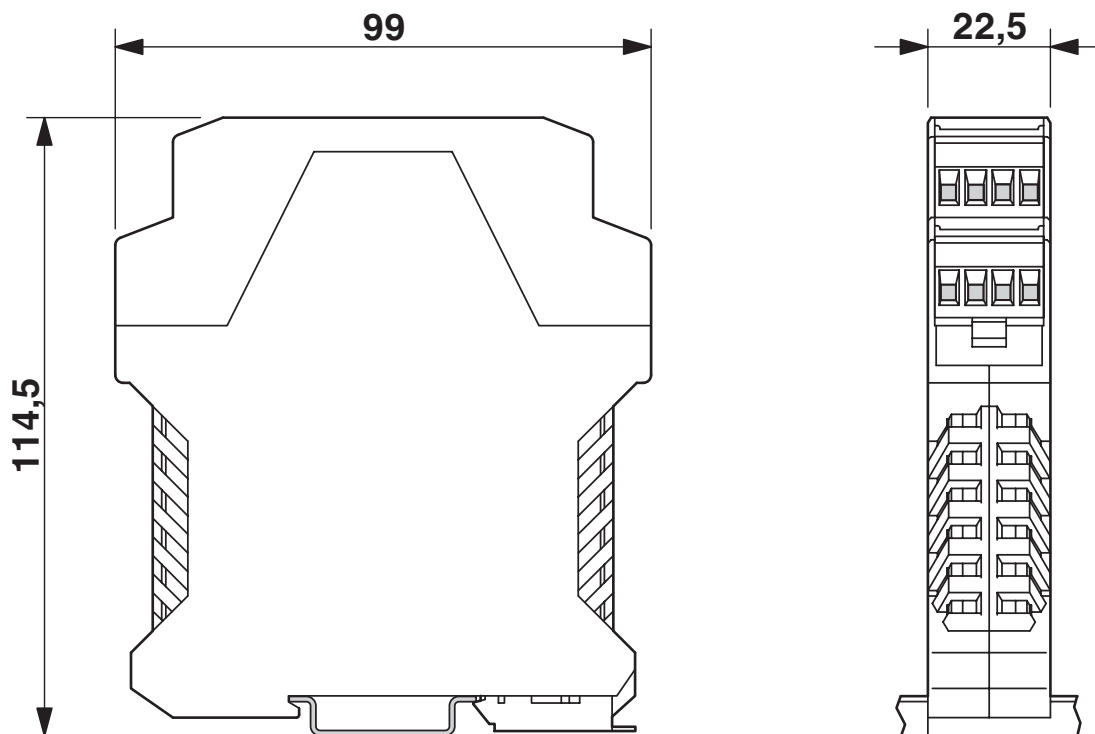
# MCR-4CLP-I-I-00 - Passive separator

2814045

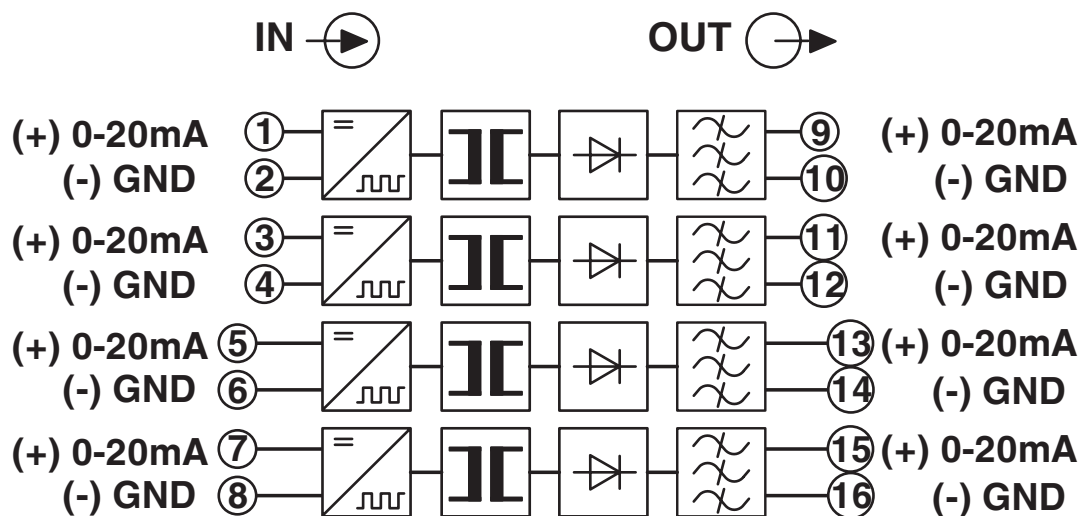
<https://www.phoenixcontact.com/us/products/2814045>

## Drawings

Dimensional drawing



Circuit diagram



# MCR-4CLP-I-I-00 - Passive separator



2814045

<https://www.phoenixcontact.com/us/products/2814045>

## Environmental product compliance

### EU RoHS

|   |                    |
|---|--------------------|
| Fulfills EU RoHS substance requirements | Yes, No exemptions |
|---|--------------------|

### China RoHS

|  |   |
|--|---|
| Environment friendly use period (EFUP) | EFUP-50   |
|  | An article-related China RoHS declaration table can be found in the download area for the respective article under "Manufacturer declaration". For all articles with EFUP-E, no China RoHS declaration table issued and required. |

### EU REACH SVHC

|                                     |                            |
|-------------------------------------|----------------------------|
| REACH candidate substance (CAS No.) | No substance above 0.1 wt% |
|-------------------------------------|----------------------------|

Phoenix Contact 2026 © - all rights reserved

<https://www.phoenixcontact.com>

Phoenix Contact USA  
586 Fulling Mill Road  
Middletown, PA 17057, United States  
(+717) 944-1300  
[info@phoenixcon.com](mailto:info@phoenixcon.com)