

MINI MCR-SL-U-I-4-SP - Signal conditioner



2813583

<https://www.phoenixcontact.com/us/products/2813583>

Please be informed that the data shown in this PDF document is generated from our online catalog. Please find the complete data in the user documentation. Our general terms of use for downloads are valid.



MCR 3-way signal conditioner, for electrical isolation of analog signals, with spring-cage connection, input signal: 0 V...10 V, output signal: 4 mA...20 mA. Replacement part: 2902030 MINI MCR-2-U-I4-PT.

Your advantages

- Power supply possible via the foot element (TBUS)
- Low power consumption
- Entry-level alternative to configurable signal conditioners
- 3-way isolation
- Fixed signal combinations
- Highly-compact isolating amplifier for electrical isolation, conversion, amplification, and filtering of standard analog signals

Commercial data

| | |
|--------------------------------------|--------------------------------|
| Item number | 2813583 |
| Packing unit | 1 pc |
| Note | Made to order (non-returnable) |
| Sales key | C403 |
| Product key | DK1131 |
| GTIN | 4046356101905 |
| Weight per piece (including packing) | 81.9 g |
| Weight per piece (excluding packing) | 60 g |
| Customs tariff number | 85437090 |
| Country of origin | DE |

MINI MCR-SL-U-I-4-SP - Signal conditioner



2813583

<https://www.phoenixcontact.com/us/products/2813583>

Technical data

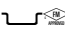
Product properties

| | |
|-----------------|--------------------|
| Product type | Signal conditioner |
| Product family | MINI Analog |
| No. of channels | 1 |

Insulation characteristics

| | |
|----------------------|----|
| Overvoltage category | II |
| Pollution degree | 2 |

Electrical properties

| | |
|---|--|
| Rated insulation voltage | 30 V AC |
| | 50 V DC |
| Electrical isolation | Basic insulation in accordance with EN 61010 |
| Electrical isolation between input and output | yes |
| Limit frequency (3 dB) | approx. 100 Hz |
| Test voltage, input/output/supply | 1.5 kV AC (50 Hz, 60 s) |
| Step response (10-90%) | ≈  ms |
| Maximum temperature coefficient | < 0.01 %/K |
| Temperature coefficient, typical | < 0.002 %/K |
| Maximum transmission error | ≤ 0.1 % (of final value) |

Supply

| | |
|--------------------------|---|
| Nominal supply voltage | 24 V DC |
| Supply voltage range | 19.2 V DC ... 30 V DC (The DIN rail connector (ME 6,2 TBUS-2 1,5/5-ST-3,81 GN, item no. 2869728) can be used to bridge the supply voltage. It can be snapped onto a 35 mm DIN rail in accordance with EN 60715) |
| Max. current consumption | < 20 mA |
| Power consumption | < 450 mW |

Input data

Signal

| | |
|-----------------------------------|----------------|
| Number of inputs | 1 |
| Configurable/programmable | no |
| Voltage input signal | 0 V ... 10 V |
| Max. voltage input signal | 30 V |
| Input resistance of voltage input | approx. 100 kΩ |

Output data

Signal

| | |
|---------------------------|----|
| Number of outputs | 1 |
| Configurable/programmable | no |

MINI MCR-SL-U-I-4-SP - Signal conditioner

2813583

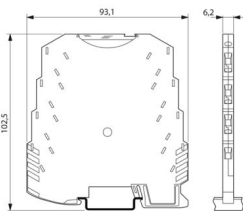
<https://www.phoenixcontact.com/us/products/2813583>

| | |
|---------------------------------|--|
| Open-circuit voltage | approx. 12.5 V |
| Current output signal | 4 mA ... 20 mA |
| Max. current output signal | 28 mA |
| Load/output load current output | $\leq 500 \Omega$ |
| Ripple | $< 20 \text{ mV}_{\text{PP}}$ (at 500 Ω) |

Connection data

| | |
|----------------------------------|---|
| Connection method | Spring-cage connection |
| Stripping length | 8 mm |
| Conductor cross-section rigid | 0.2 mm ² ... 2.5 mm ² |
| Conductor cross-section flexible | 0.2 mm ² ... 2.5 mm ² |
| Conductor cross-section AWG | 24 ... 12 |

Dimensions

| | |
|---------------------|---|
| Dimensional drawing |  |
| Width | 6.2 mm |
| Height | 93.1 mm |
| Depth | 102.5 mm |

Material specifications

| | |
|--|------------------|
| Color | green (RAL 6021) |
| Housing material | PBT |
| Fire protection for rail vehicles (DIN EN 45545-2) R22 | HL 1 - HL 2 |
| Fire protection for rail vehicles (DIN EN 45545-2) R23 | HL 1 - HL 2 |
| Fire protection for rail vehicles (DIN EN 45545-2) R24 | HL 1 - HL 2 |

Environmental and real-life conditions

Ambient conditions

| | |
|---|-------------------------------|
| Degree of protection | IP20 |
| Ambient temperature (operation) | -20 °C ... 65 °C |
| Ambient temperature (storage/transport) | -40 °C ... 85 °C |
| Altitude | $\leq 2000 \text{ m}$ |
| Permissible humidity (operation) | 5 % ... 95 % (non-condensing) |

Approvals

CE

| | |
|-------------|--------------|
| Certificate | CE-compliant |
|-------------|--------------|

MINI MCR-SL-U-I-4-SP - Signal conditioner



2813583

<https://www.phoenixcontact.com/us/products/2813583>

ATEX

| | |
|----------------|----------------------------|
| Identification | ⊕ II 3 G Ex nA IIC T4 Gc X |
|----------------|----------------------------|

UL, USA/Canada

| | |
|----------------|---------------------------------------|
| Identification | UL 508 Recognized |
| | Class I, Div. 2, Groups A, B, C, D T4 |

GL

| | |
|----------------|------------|
| Identification | GL EMC 2 D |
|----------------|------------|

EMC data

| | |
|-------------------------------|--|
| Electromagnetic compatibility | Conformance with EMC directive |
| Noise immunity | EN 61000-6-2 |
| Note | When being exposed to interference, there may be minimal deviations. |

Noise emission

| | |
|-----------------------|--------------|
| Standards/regulations | EN 61000-6-4 |
|-----------------------|--------------|

Electrostatic discharge

| | |
|----------|---|
| Comments | Safety measures must be taken to prevent electrostatic discharge. |
|----------|---|

Electromagnetic HF field

| | |
|--|--------------------------|
| Designation | Electromagnetic RF field |
| Standards/regulations | EN 61000-4-3 |
| Typical deviation from the measuring range final value | 5 % |

Fast transients (burst)

| | |
|--|-------------------------|
| Designation | Fast transients (burst) |
| Standards/regulations | EN 61000-4-4 |
| Typical deviation from the measuring range final value | 5 % |

Conducted interference

| | |
|--|-------------------------|
| Designation | Conducted interferences |
| Standards/regulations | EN 61000-4-6 |
| Typical deviation from the measuring range final value | 5 % |

Standards and regulations

| | |
|----------------------|--|
| Electrical isolation | Basic insulation in accordance with EN 61010 |
|----------------------|--|

Mounting

| | |
|-------------------|---|
| Mounting type | DIN rail mounting |
| Assembly note | The DIN rail connector can be used for bridging the supply voltage. It can be snapped onto a 35 mm EN 60715 DIN rail. |
| Mounting position | any |

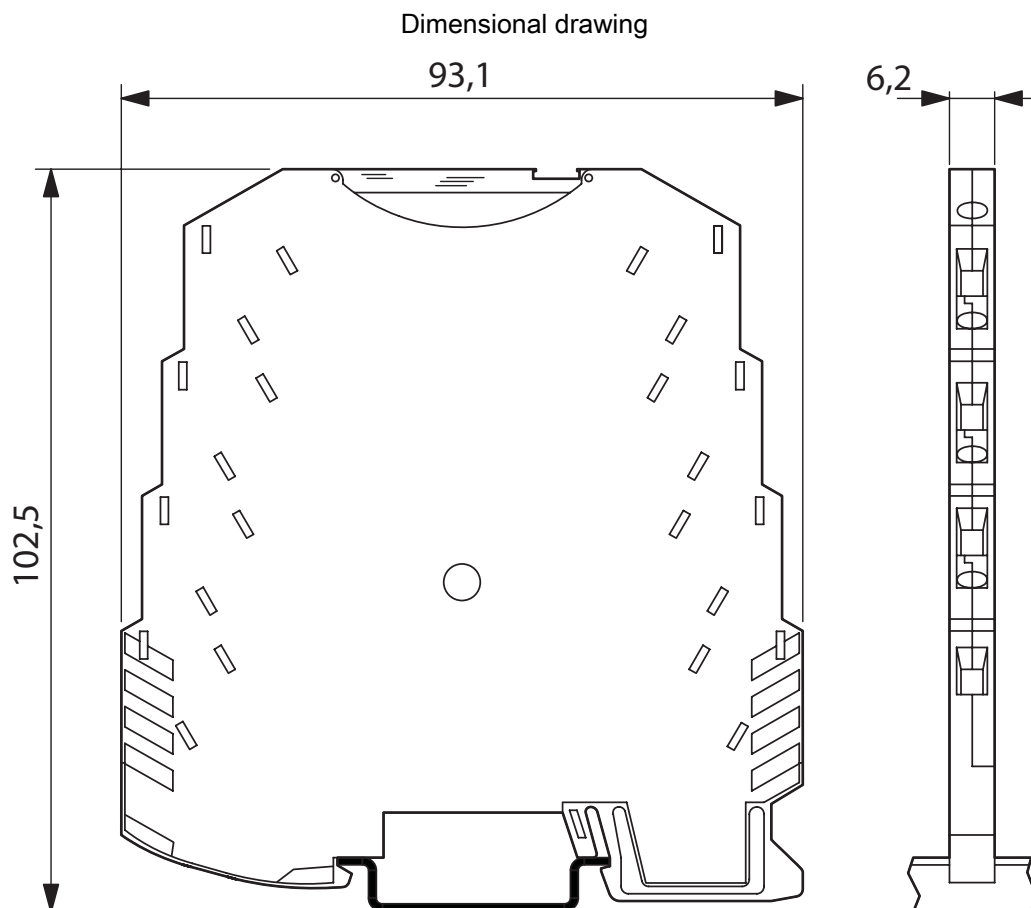
MINI MCR-SL-U-I-4-SP - Signal conditioner

2813583

<https://www.phoenixcontact.com/us/products/2813583>



Drawings



MINI MCR-SL-U-I-4-SP - Signal conditioner



2813583

<https://www.phoenixcontact.com/us/products/2813583>

Environmental product compliance

China RoHS

| | |
|--|---|
| Environment friendly use period (EFUP) | EFUP-50 |
| | An article-related China RoHS declaration table can be found in the download area for the respective article under "Manufacturer declaration". For all articles with EFUP-E, no China RoHS declaration table issued and required. |

EU REACH SVHC

| | |
|-------------------------------------|----------------------------|
| REACH candidate substance (CAS No.) | No substance above 0.1 wt% |
|-------------------------------------|----------------------------|

Phoenix Contact 2026 © - all rights reserved
<https://www.phoenixcontact.com>

Phoenix Contact USA
586 Fulling Mill Road
Middletown, PA 17057, United States
(+717) 944-1300
info@phoenixcon.com