

MINI MCR-SL-I-U-4 - Input signal conditioner



2813538

<https://www.phoenixcontact.com/us/products/2813538>

Please be informed that the data shown in this PDF document is generated from our online catalog. Please find the complete data in the user documentation. Our general terms of use for downloads are valid.



MCR 3-way isolating amplifier, for electrical isolation of analog signals, with screw connection, input signal: 4 mA ... 20 mA, output signal: 0 A ... 10 V

Your advantages

- Power supply possible via the foot element (TBUS)
- Low power consumption
- Entry-level alternative to configurable signal conditioners
- Highly-compact isolating amplifier for electrical isolation, conversion, amplification, and filtering of standard analog signals
- 3-way isolation
- Fixed signal combinations

Commercial data

| | |
|--------------------------------------|---------------|
| Item number | 2813538 |
| Packing unit | 1 pc |
| Minimum order quantity | 1 pc |
| Sales key | C403 |
| Product key | DK1131 |
| GTIN | 4046356100632 |
| Weight per piece (including packing) | 87.2 g |
| Weight per piece (excluding packing) | 71.4 g |
| Customs tariff number | 85437090 |
| Country of origin | DE |

MINI MCR-SL-I-U-4 - Input signal conditioner



2813538

<https://www.phoenixcontact.com/us/products/2813538>

Technical data

Notes


Utilization restriction

| | |
|----------|---|
| EMC note | EMC: class A product, see manufacturer's declaration in the download area |
|----------|---|

Product properties

| | |
|-----------------|--------------------------|
| Product type | Input signal conditioner |
| Product family | MINI Analog |
| No. of channels | 1 |

Electrical properties

| | |
|---|--|
| Electrical isolation | 3-way isolation |
| Electrical isolation between input and output | yes |
| Limit frequency (3 dB) | approx. 100 Hz |
| Maximum power dissipation for nominal condition | 434.3 mW |
| Step response (10-90%) | ≈  ms |
| Maximum temperature coefficient | < 0.01 %/K |
| Temperature coefficient, typical | < 0.002 %/K |
| Maximum transmission error | ≤ 0.1 % (of final value) |

Electrical isolation

| | |
|----------------------|----|
| Overvoltage category | II |
| Pollution degree | 2 |

Electrical isolation Input/output/power supply IEC/EN 61010

| | |
|--------------------------|-------------------------|
| Standards/regulations | IEC/EN 61010 |
| Rated insulation voltage | 30 V AC |
| | 50 V DC |
| Test voltage | 1.5 kV AC (50 Hz, 60 s) |
| Insulation | Basic insulation |

Supply

| | |
|--------------------------|---|
| Nominal supply voltage | 24 V DC |
| Supply voltage range | 19.2 V DC ... 30 V DC (The DIN rail connector (ME 6,2 TBUS-2 1,5/5-ST-3,81 GN, item no. 2869728) can be used to bridge the supply voltage. It can be snapped onto a 35 mm DIN rail in accordance with EN 60715) |
| Max. current consumption | < 9 mA |
| Power consumption | < 200 mW |

Input data

Signal: Current

| | |
|------------------|---|
| Number of inputs | 1 |
|------------------|---|

MINI MCR-SL-I-U-4 - Input signal conditioner

2813538

<https://www.phoenixcontact.com/us/products/2813538>

| | |
|--------------------------------|---------------------|
| Configurable/programmable | no |
| Current input signal | 4 mA ... 20 mA |
| Max. current input signal | 50 mA |
| Input resistance current input | approx. 50 Ω |

Output data

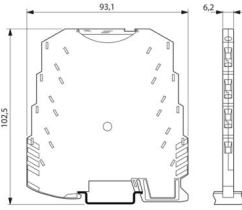
Signal: Voltage

| | |
|---------------------------------|--|
| Number of outputs | 1 |
| Configurable/programmable | no |
| Voltage output signal | 0 V ... 10 V |
| Max. voltage output signal | 12.5 V |
| Short-circuit current | approx. 2 mA |
| Load/output load voltage output | ≥ 10 k Ω |
| Ripple | < 20 mV _{PP} < 20 mV _{PP} (at 10 k Ω) |

Connection data

| | |
|----------------------------------|---|
| Connection method | Screw connection |
| Stripping length | 12 mm |
| Screw thread | M3 |
| Conductor cross-section rigid | 0.2 mm ² ... 2.5 mm ² |
| Conductor cross-section flexible | 0.2 mm ² ... 2.5 mm ² |
| Conductor cross-section AWG | 26 ... 12 |

Dimensions

| | |
|---------------------|--|
| Dimensional drawing |  |
| Width | 6.2 mm |
| Height | 93.1 mm |
| Depth | 101.2 mm |

Material specifications

| | |
|--|------------------|
| Color | green (RAL 6021) |
| Housing material | PBT |
| Fire protection for rail vehicles (DIN EN 45545-2) R22 | HL 1 - HL 2 |
| Fire protection for rail vehicles (DIN EN 45545-2) R23 | HL 1 - HL 2 |
| Fire protection for rail vehicles (DIN EN 45545-2) R24 | HL 1 - HL 2 |

Environmental and real-life conditions

MINI MCR-SL-I-U-4 - Input signal conditioner



2813538

<https://www.phoenixcontact.com/us/products/2813538>

Ambient conditions

| | |
|---|-------------------------------|
| Degree of protection | IP20 |
| Ambient temperature (operation) | -20 °C ... 65 °C |
| Ambient temperature (storage/transport) | -40 °C ... 85 °C |
| Altitude | ≤ 2000 m |
| Permissible humidity (operation) | 5 % ... 95 % (non-condensing) |

Approvals

CE

| | |
|-------------|--------------|
| Certificate | CE-compliant |
|-------------|--------------|

UL, USA/Canada

| | |
|----------------|--|
| Identification | UL 508 Recognized Class I, Div. 2, Groups A, B, C, D T4 |
|----------------|--|

EMC data

| | |
|-------------------------------|--|
| Electromagnetic compatibility | Conformance with EMC directive |
| Noise immunity | EN 61000-6-2 |
| Note | When being exposed to interference, there may be minimal deviations. |

Noise emission

| | |
|-----------------------|--------------|
| Standards/regulations | EN 61000-6-4 |
|-----------------------|--------------|

Electrostatic discharge

| | |
|-----------------------|--------------|
| Standards/regulations | EN 61000-4-2 |
|-----------------------|--------------|

Electrostatic discharge

| | |
|----------|---|
| Comments | Safety measures must be taken to prevent electrostatic discharge. |
|----------|---|

Electromagnetic HF field

| | |
|--|--------------------------|
| Designation | Electromagnetic RF field |
| Standards/regulations | EN 61000-4-3 |
| Typical deviation from the measuring range final value | 5 % |

Fast transients (burst)

| | |
|--|-------------------------|
| Designation | Fast transients (burst) |
| Standards/regulations | EN 61000-4-4 |
| Typical deviation from the measuring range final value | 5 % |

Surge current load (surge)

| | |
|-----------------------|--------------|
| Standards/regulations | EN 61000-4-5 |
|-----------------------|--------------|

Surge current load (surge)

| | |
|----------|-------------|
| Comments | Criterion B |
|----------|-------------|

Conducted interference

MINI MCR-SL-I-U-4 - Input signal conditioner



2813538

<https://www.phoenixcontact.com/us/products/2813538>

| | |
|--|-------------------------|
| Designation | Conducted interferences |
| Standards/regulations | EN 61000-4-6 |
| Typical deviation from the measuring range final value | 5 % |

Standards and regulations

| | |
|----------------------|-----------------|
| Electrical isolation | 3-way isolation |
|----------------------|-----------------|

Mounting

| | |
|-------------------|---|
| Mounting type | DIN rail mounting |
| Assembly note | The DIN rail connector can be used for bridging the supply voltage. It can be snapped onto a 35 mm EN 60715 DIN rail. |
| Mounting position | any |

MINI MCR-SL-I-U-4 - Input signal conditioner

2813538

<https://www.phoenixcontact.com/us/products/2813538>



Drawings

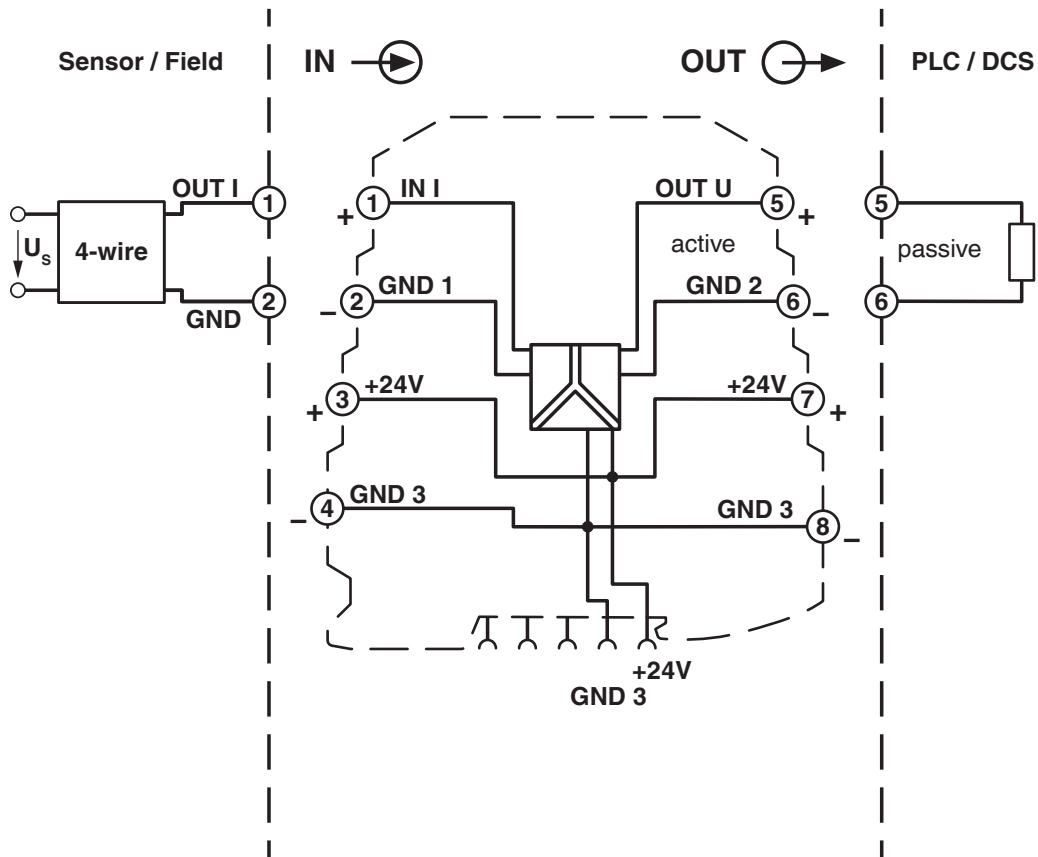


MINI MCR-SL-I-U-4 - Input signal conditioner

2813538

<https://www.phoenixcontact.com/us/products/2813538>

Block diagram



MINI MCR-SL-I-U-4 - Input signal conditioner



2813538

<https://www.phoenixcontact.com/us/products/2813538>

Approvals

To download certificates, visit the product detail page: <https://www.phoenixcontact.com/us/products/2813538>



cUL Recognized
Approval ID: E238705



UL Recognized
Approval ID: E238705



cUL Listed
Approval ID: E199827



UL Listed
Approval ID: E199827

MINI MCR-SL-I-U-4 - Input signal conditioner



2813538

<https://www.phoenixcontact.com/us/products/2813538>

Classifications

ECLASS

| | |
|-------------|----------|
| ECLASS-13.0 | 27210120 |
| ECLASS-15.0 | 27210120 |

ETIM

| | |
|-----------|----------|
| ETIM 10.0 | EC002653 |
|-----------|----------|

UNSPSC

| | |
|-------------|----------|
| UNSPSC 21.0 | 39121000 |
|-------------|----------|

MINI MCR-SL-I-U-4 - Input signal conditioner



2813538

<https://www.phoenixcontact.com/us/products/2813538>

Environmental product compliance

EU RoHS

| | |
|---|--------------------|
| Fulfills EU RoHS substance requirements | Yes |
| Exemption | 6(c), 7(a), 7(c)-I |

China RoHS

| | |
|--|---|
| Environment friendly use period (EFUP) | EFUP-50 |
| | An article-related China RoHS declaration table can be found in the download area for the respective article under "Manufacturer declaration". For all articles with EFUP-E, no China RoHS declaration table issued and required. |

EU REACH SVHC

| | |
|-------------------------------------|--------------------------------------|
| REACH candidate substance (CAS No.) | Lead(CAS: 7439-92-1) |
| SCIP | 98fa3002-d003-4cab-b1cd-5bbce74fa5fd |

EF3.1 Climate Change

| | |
|---------|---------------|
| CO2e kg | 1.894 kg CO2e |
|---------|---------------|

Phoenix Contact 2026 © - all rights reserved
<https://www.phoenixcontact.com>

Phoenix Contact USA
586 Fulling Mill Road
Middletown, PA 17057, United States
(+717) 944-1300
info@phoenixcon.com