

# MACX MCR-UI-UI-SP - Input signal conditioner



2811572

<https://www.phoenixcontact.com/us/products/2811572>

Please be informed that the data shown in this PDF document is generated from our online catalog. Please find the complete data in the user documentation. Our general terms of use for downloads are valid.



Configurable 3-way isolating amplifier with safe electrical isolation, 24 V, power bridging. DIP switches on the front, over 1600 signal conversions can be set. Order configuration, spring-cage connection, SIL.

## Your advantages

- Power supply possible via DIN rail connector
- Over 1600 signal conversions can be set via DIP switches on the front
- Up to SIL 2 in accordance with EN 61508
- Installation in zone 2 permitted
- 3-way electrical isolation
- 10 kHz limit frequency for time-critical applications
- Status indicator for supply voltage
- Active or passive output
- Configurable input and output signals, including bipolar current and voltage signals
- Plug-in screw or spring-cage connection technology (Push-in technology)
- Analog signal conditioner for isolating, filtering, amplifying, and converting standard analog signals

## Commercial data

Item number	2811572
Packing unit	1 pc
Minimum order quantity	1 pc
Note	Made to order (non-returnable)
Sales key	C490
Product key	DK1111
Weight per piece (including packing)	171.8 g
Weight per piece (excluding packing)	157 g
Customs tariff number	85437090
Country of origin	DE

# MACX MCR-UI-UI-SP - Input signal conditioner



2811572

<https://www.phoenixcontact.com/us/products/2811572>

## Technical data

### Product properties

Product type	Input signal conditioner
Product family	MACX Analog
No. of channels	1
Configuration	DIP switches

### System properties

#### Functionality

Configuration	DIP switches
---------------	--------------

### Electrical properties

Alignment span	$\pm 4 \%$
Alignment zero	$\pm 4 \%$
Electrical isolation between input and output	yes
Limit frequency (3 dB)	10 kHz (Can be switched to 30 Hz)
Protective circuit	Transient protection
Step response (10-90%)	35 $\mu$ s (10 kHz)
	11 ms (30 Hz)
Maximum temperature coefficient	0.0075 %/K
Maximum transmission error	$\leq 0.1 \%$ (Compared to the final value)

#### Electrical isolation

Test voltage	2.5 kV AC (50 Hz, 60 s)
Overvoltage category	II
Pollution degree	2

#### Electrical isolation Input/output/power supply IEC/EN 61010-1

Standards/regulations	IEC/EN 61010-1
Rated insulation voltage	300 V <sub>rms</sub>
Insulation	Safe isolation

#### Electrical isolation Input/output/power supply IEC/EN 60079-7

Standards/regulations	IEC/EN 60079-7
Rated insulation voltage	250 V AC/DC

#### Supply

Nominal supply voltage range	12 V DC ... 24 V DC -20 % ... +25 %
Supply voltage range	9.6 V DC ... 30 V DC
Power dissipation	500 mW (24 V DC / 20 mA)
Power consumption	$\leq 700$ mW

## Input data

# MACX MCR-UI-UI-SP - Input signal conditioner



2811572

<https://www.phoenixcontact.com/us/products/2811572>

Signal: Voltage/current

Number of inputs	1
Voltage input signal	0 mV ... 50 mV
	0 mV ... 60 mV
	0 mV ... 75 mV
	0 mV ... 100 mV
	0 mV ... 120 mV
	0 mV ... 150 mV
	0 mV ... 200 mV
	0 mV ... 300 mV
	0 mV ... 500 mV
	0 V ... 1 V
	0 V ... 1.5 V
	0 V ... 2 V
	0 V ... 3 V
	0 V ... 5 V
	0 V ... 10 V (Configurable via DIP switches)
	0 V ... 15 V
	0 V ... 20 V
	0 V ... 30 V
	0 V ... 50 V
	0 V ... 100 V
	-50 mV ... 50 mV
	-60 mV ... 60 mV
	-75 mV ... 75 mV
	-100 mV ... 100 mV
	-120 mV ... 120 mV
	-150 mV ... 150 mV
	-200 mV ... 200 mV
	-300 mV ... 300 mV
	-500 mV ... 500 mV
	-1 V ... 1 V
	-1.5 V ... 1.5 V
	-2 V ... 2 V
	-3 V ... 3 V
	-5 V ... 5 V
	-10 V ... 10 V
	-15 V ... 15 V
	-20 V ... 20 V
	-30 V ... 30 V
	-50 V ... 50 V
	-100 V ... 100 V
1 V ... 5 V	

# MACX MCR-UI-UI-SP - Input signal conditioner



2811572

<https://www.phoenixcontact.com/us/products/2811572>

	2 V ... 10 V
Min. voltage input signal	± 50 mV
Max. voltage input signal	± 100 V
Current input signal	0 mA ... 1 mA (Configurable via DIP switches)
	0 mA ... 1.5 mA
	0 mA ... 2 mA
	0 mA ... 3 mA
	0 mA ... 5 mA
	0 mA ... 10 mA
	0 mA ... 15 mA
	0 mA ... 20 mA
	0 mA ... 30 mA
	0 mA ... 50 mA
	0 mA ... 100 mA
	-1 mA ... 1 mA
	-1.5 mA ... 1.5 mA
	-2 mA ... 2 mA
	-3 mA ... 3 mA
	-5 mA ... 5 mA
	-10 mA ... 10 mA
	-15 mA ... 15 mA
	-20 mA ... 20 mA
	-30 mA ... 30 mA
	-50 mA ... 50 mA
	-100 mA ... 100 mA
	1 mA ... 5 mA
	2 mA ... 10 mA
	4 mA ... 20 mA
Minimum current input signal	± 1 mA
Max. current input signal	± 100 mA
Input resistance of voltage input	approx. 1 MΩ (±1 V DC ... ±100 V DC)
Input resistance current input	approx. 10 Ω (±10 mA DC ... ±100 mA DC)

## Output data

Signal: Voltage/current

Number of outputs	1
Configurable/programmable	Yes, can be switched
Voltage output signal	0 V ... 10 V (Configurable via DIP switches)
	0 V ... 5 V
	2 V ... 10 V
	1 V ... 5 V
	-10 V ... 10 V
	-5 V ... 5 V

# MACX MCR-UI-UI-SP - Input signal conditioner



2811572

<https://www.phoenixcontact.com/us/products/2811572>

	0 V ... 2.5 V
	0.5 V ... 2.5 V
	-2.5 V ... 2.5 V
Output signal voltage inverse	0 V ... 2.5 V
	0 V ... 5 V
	0 V ... 10 V
Current output signal	0 mA ... 5 mA
	0 mA ... 10 mA
	0 mA ... 20 mA (Configurable via DIP switches)
	1 mA ... 5 mA
	2 mA ... 10 mA
	4 mA ... 20 mA
	-5 mA ... 5 mA
	-10 mA ... 10 mA
	-20 mA ... 20 mA
Output signal current inverse	0 mA ... 5 mA
	0 mA ... 10 mA
	0 mA ... 20 mA
Load/output load voltage output	$\geq 1 \text{ k}\Omega$ (10 V)
Load/output load current output	$\leq 600 \Omega$ (20 mA; active)
	passive: $\leq (U_B - 2 \text{ V}) / I_{\text{outmax}}$
Ripple	$< 10 \text{ mV}_{\text{rms}}$

## Connection data

Connection method	Push-in connection
Stripping length	10 mm
Conductor cross-section rigid	0.2 mm <sup>2</sup> ... 2.5 mm <sup>2</sup>
Conductor cross-section flexible	0.2 mm <sup>2</sup> ... 2.5 mm <sup>2</sup>
Conductor cross-section flexible (2 conductors with same cross section)	0.25 mm <sup>2</sup> ... 0.34 mm <sup>2</sup> (TWIN ferrule without plastic sleeve)
	0.5 mm <sup>2</sup> ... 1.5 mm <sup>2</sup> (TWIN ferrule with plastic sleeve)
Conductor cross-section AWG	24 ... 14
	24 ... 22 (TWIN ferrule without plastic sleeve)
	20 ... 16 (TWIN ferrule with plastic sleeve)

## Ex data

Ex installation (EPL)	Gc
	Div. 2

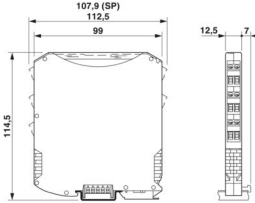
## Dimensions

# MACX MCR-UI-UI-SP - Input signal conditioner



2811572

<https://www.phoenixcontact.com/us/products/2811572>

Dimensional drawing	
Width	12.5 mm
Height	107.9 mm
Depth	113.7 mm
Depth NS 35/7,5	114.5 mm (Snapped onto DIN rail NS 35/7,5 in accordance with EN 60715)

## Material specifications

Color	gray (RAL 7042)
Housing material	PA 6.6-FR

## Characteristics

Safety data: IEC 61508 - High demand

Safety Integrity Level (SIL)	2
------------------------------	---

Safety data: IEC 61508 - High demand

Safety Integrity Level (SIL)	2
------------------------------	---

Safety data: IEC 61508 - Low demand

Safety Integrity Level (SIL)	2
------------------------------	---

Safety data: IEC 61508 - Low demand

Safety Integrity Level (SIL)	2
------------------------------	---

## Environmental and real-life conditions

Ambient conditions

Degree of protection	IP20 (not assessed by UL)
Ambient temperature (operation)	-20 °C ... 70 °C
Ambient temperature (storage/transport)	-40 °C ... 85 °C

Altitude range ( $\leq$  2000 m)

Altitude	$\leq$ 2000 m (The technical data refers to altitudes $\leq$ 2000 m above mean sea level. For altitudes $>$ 2000 m above mean sea level, refer to the data sheet.)
Ambient temperature (operation)	-20 °C ... 70 °C

Altitude range ( $\leq$  3000 m)

Height range	$>$ 2000 m ... 3000 m
Ambient temperature (operation)	-20 °C ... 60 °C
Rated insulation voltage	190 V

# MACX MCR-UI-UI-SP - Input signal conditioner



2811572

<https://www.phoenixcontact.com/us/products/2811572>

## Altitude range ( $\leq 4000$ m)

Height range	> 3000 m ... 4000 m
Ambient temperature (operation)	-20 °C ... 55 °C
Rated insulation voltage	63 V

## Altitude range ( $\leq 5000$ m)

Height range	> 4000 m ... 5000 m
Ambient temperature (operation)	-20 °C ... 45 °C
Rated insulation voltage	63 V

## Approvals

### CE

Certificate	CE-compliant
-------------	--------------

### ATEX

Identification	Ⓜ II 3 G Ex ec IIC T4 Gc
Certificate	BVS 10 ATEX E 059 X

### UKCA Ex (UKEX)

Identification	Ⓜ II 3 G Ex nA IIC T4 Gc
Certificate	PxCIF21UKEX2811284X

### IECEX

Identification	Ex ec IIC T4 Gc
Certificate	IECEX BVS 10.0044X

### CCC / China-Ex

Identification	Ex ec IIC T4 Gc
Certificate	2021122304114077

### UL, USA/Canada

Identification	UL 61010 Listed
	Class I, Div. 2, Groups A, B, C, D T6
	Class I, Zone 2, Group IIC

### Shipbuilding approval

Certificate	DNV GL TAA000020C
-------------	-------------------

### Safety Integrity Level (SIL, IEC 61508)

Identification	2
----------------	---

### INMETRO

Identification	Ex ec IIC T4 Gc
Certificate	DNV 21.0063 X

### Shipbuilding data

Temperature	B
Humidity	B

# MACX MCR-UI-UI-SP - Input signal conditioner



2811572

<https://www.phoenixcontact.com/us/products/2811572>

Vibration	A
EMC	A
Enclosure	Required protection according to the Rules shall be provided upon installation on board

## EMC data

Electromagnetic compatibility	Conformance with EMC directive
Noise immunity	EN 61000-6-2
Note	When being exposed to interference, there may be minimal deviations.

## Noise emission

Standards/regulations	EN 61000-6-4
-----------------------	--------------

## Electromagnetic HF field

Designation	Electromagnetic RF field
Standards/regulations	EN 61000-4-3
Typical deviation from the measuring range final value	1 %

## Fast transients (burst)

Designation	Fast transients (burst)
Standards/regulations	EN 61000-4-4
Typical deviation from the measuring range final value	1 %

## Conducted interference

Designation	Conducted interferences
Standards/regulations	EN 61000-4-6
Typical deviation from the measuring range final value	1 %

## Standards and regulations

### GB Standard

Standards/regulations	GB/T 3836.1
	GB/T 3836.3

## Mounting

Mounting type	DIN rail mounting
Mounting position	any

# MACX MCR-UI-UI-SP - Input signal conditioner

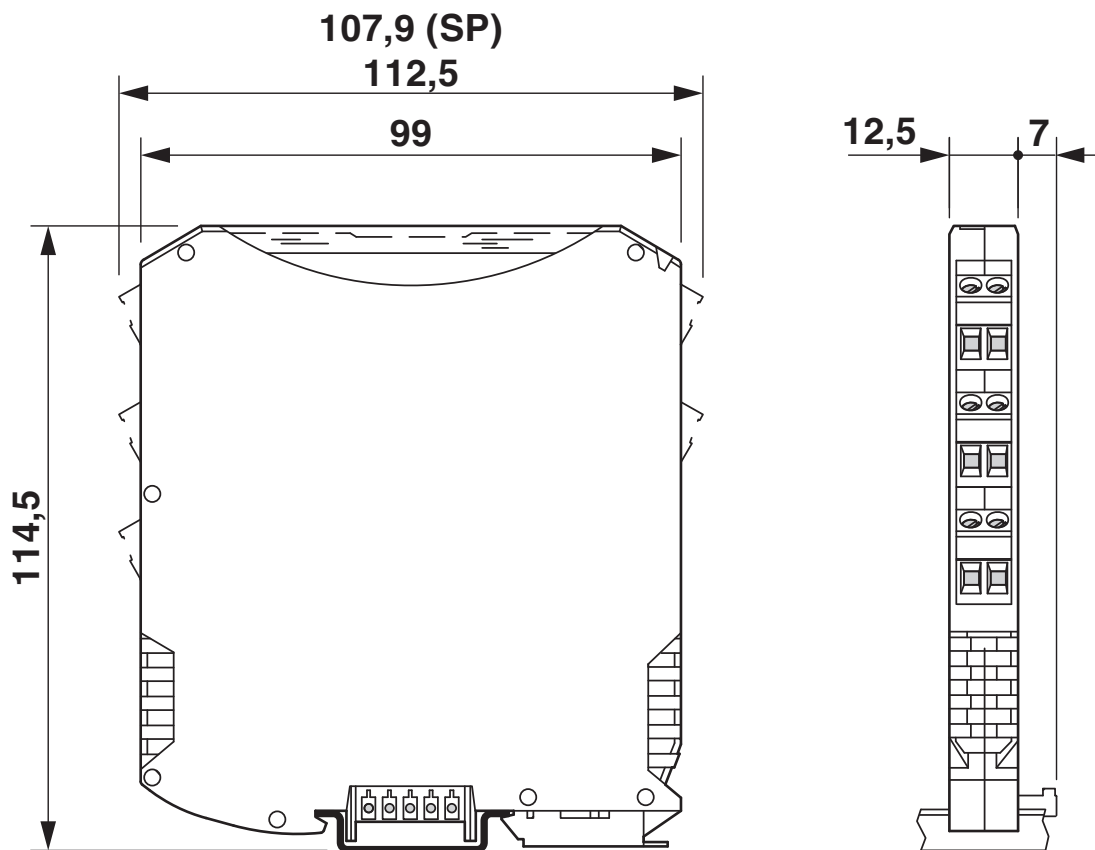
2811572

<https://www.phoenixcontact.com/us/products/2811572>



## Drawings

Dimensional drawing



# MACX MCR-UI-UI-SP - Input signal conditioner



2811572

<https://www.phoenixcontact.com/us/products/2811572>

Block diagram



2811572

<https://www.phoenixcontact.com/us/products/2811572>

## Approvals

To download certificates, visit the product detail page: <https://www.phoenixcontact.com/us/products/2811572>

### DNV

Approval ID: TAA000020C



### UL Listed

Approval ID: E330267



### cUL Listed

Approval ID: E330267

### Functional Safety

Approval ID: BVS Pb 01/10



### EAC Ex

Approval ID: TP012 103.01 00078



### IECEX

Approval ID: IECEX BVS 10.0044X



### CCC

Approval ID: 2021122304114077



### cUL Listed

Approval ID: E199827



### UL Listed

Approval ID: FILE E 199827



### ATEX

Approval ID: BVS 10 ATEX E059 X

### INMETRO

Approval ID: DNV 21.0063X

# MACX MCR-UI-UI-SP - Input signal conditioner



2811572

<https://www.phoenixcontact.com/us/products/2811572>

## Classifications

### ECLASS

ECLASS-13.0	27210120
ECLASS-15.0	27210120

### ETIM

ETIM 10.0	EC002653
-----------	----------

### UNSPSC

UNSPSC 21.0	39121000
-------------	----------

## Environmental product compliance

### EU RoHS

Fulfills EU RoHS substance requirements	Yes
Exemption	6(c), 7(a), 7(c)-I

### China RoHS

Environment friendly use period (EFUP)	EFUP-50
	An article-related China RoHS declaration table can be found in the download area for the respective article under "Manufacturer declaration". For all articles with EFUP-E, no China RoHS declaration table issued and required.

### EU REACH SVHC

REACH candidate substance (CAS No.)	Lead(CAS: 7439-92-1)
	2,2',6,6'-tetrabromo-4,4'-isopropylidenediphenol(CAS: 79-94-7)

### EF3.1 Climate Change

CO2e kg	5.912 kg CO2e
---------	---------------