

MCR-PT100-I-NC - Resistance thermometer measuring transducer

2810421

<https://www.phoenixcontact.com/us/products/2810421>

Please be informed that the data shown in this PDF document is generated from our online catalog. Please find the complete data in the user documentation. Our general terms of use for downloads are valid.



The figure shows version MCR-PT100-I-DC

Pt 100 temperature transducer, configurable via DIP switch, selection between 2, 3, 4-conductor technology; input: 0...100 °C, 0...150 °C, 0...200 °C, 0...300 °C, -50...+50 °C, -50...100 °C, -50...150 °C, -50...250 °C, output signal 0(4)...20 mA

Commercial data

Item number	2810421
Packing unit	1 pc
Note	Made to order (non-returnable)
Sales key	NULL
Product key	DK1XXX
GTIN	4017918118273
Weight per piece (including packing)	141.3 g
Weight per piece (excluding packing)	121 g
Customs tariff number	85437090
Country of origin	DE

MCR-PT100-I-NC - Resistance thermometer measuring transducer



2810421

<https://www.phoenixcontact.com/us/products/2810421>

Technical data

Notes

Utilization restriction

EMC note	EMC: class A product, see manufacturer's declaration in the download area
----------	---

Product properties

Product type	Temperature transmitter
--------------	-------------------------

Electrical properties

Alignment span	± 5 %
Alignment zero	± 5 %
Test voltage power supply/signal	750 V AC (50 Hz, 60 s)
Step response (10-90%)	11 ms
Maximum temperature coefficient	≤ 0.02 %/K
Maximum transmission error	≤ 0.4 % (of final value)

Supply

Supply voltage range	20 V DC ... 30 V DC
Max. current consumption	45 mA

Input data

Measurement

Configurable/programmable	Yes, unconfigured
Sensor types (RTD) that can be used	Pt 100 (IEC 60751/EN 60751)
Temperature measuring range	0 °C ... 300 °C (0 ... 100/150/200/300) -50 °C ... 250 °C (-50 ... 50/100/150/250)
Temperature measuring range: Pt 100	-50 °C ... 50 °C -50 °C ... 100 °C -50 °C ... 150 °C -50 °C ... 250 °C 0 °C ... 100 °C 0 °C ... 150 °C 0 °C ... 200 °C 0 °C ... 300 °C
Sensor input current	approx. 1 mA
Connection technology	2-, 3-, 4-conductor
Connection method	Pluggable screw connection

Output data

MCR-PT100-I-NC - Resistance thermometer measuring transducer

2810421

<https://www.phoenixcontact.com/us/products/2810421>

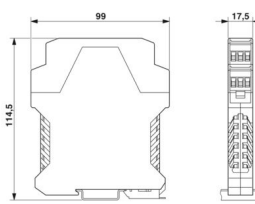
Signal: Current output

Current output signal	4 mA ... 20 mA
	0 mA ... 20 mA
Max. current output signal	30 mA
Output current with wire break	> 22 mA
Load/output load current output	$\leq 500 \Omega$

Connection data

Connection method	Screw connection
Stripping length	8 mm
Screw thread	M3
Conductor cross-section rigid	0.2 mm ² ... 2.5 mm ²
Conductor cross-section flexible	0.2 mm ² ... 2.5 mm ²
Conductor cross-section AWG	24 ... 14

Dimensions

Dimensional drawing	
Width	17.5 mm
Height	99 mm
Depth	114.5 mm

Material specifications

Color	green (RAL 6021)
Housing material	Polyamide PA non-reinforced

Environmental and real-life conditions

Ambient conditions

Degree of protection	IP20
Ambient temperature (operation)	-20 °C ... 65 °C

Approvals

CE

Certificate	CE-compliant
-------------	--------------

UL, USA/Canada

Identification	cULus
----------------	-------

MCR-PT100-I-NC - Resistance thermometer measuring transducer



2810421

<https://www.phoenixcontact.com/us/products/2810421>

Mounting

Mounting position	any
-------------------	-----

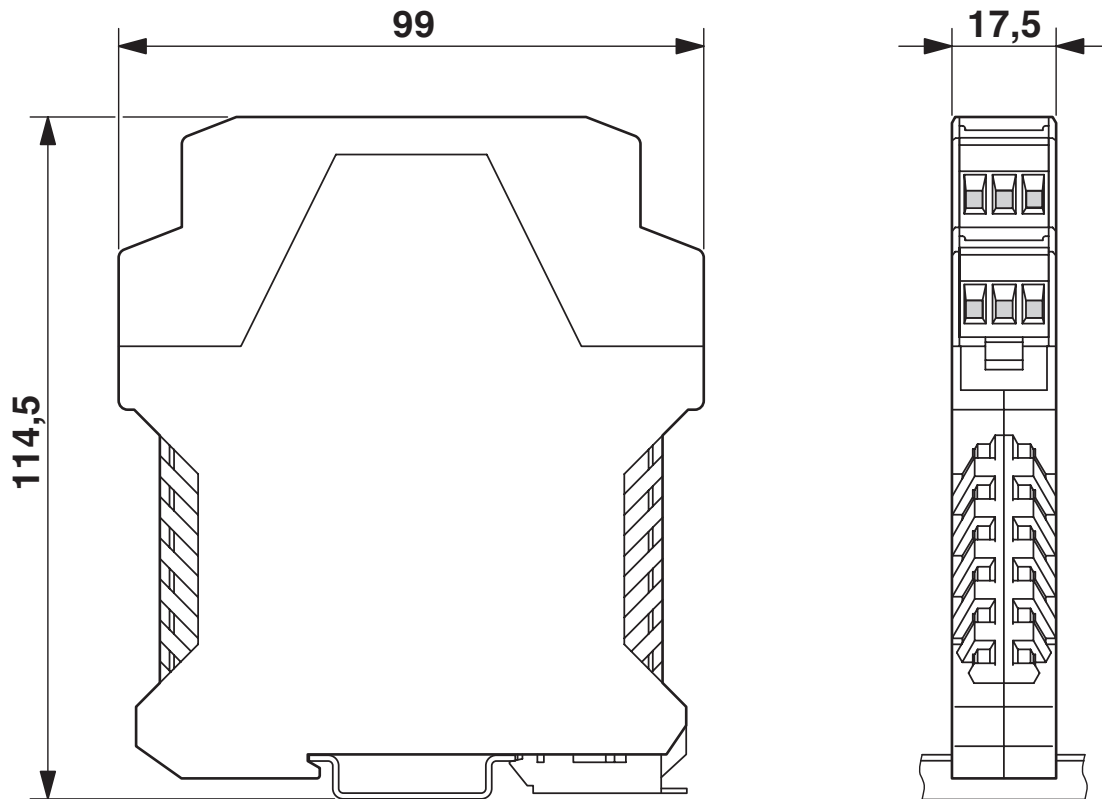
MCR-PT100-I-NC - Resistance thermometer measuring transducer

2810421

<https://www.phoenixcontact.com/us/products/2810421>

Drawings

Dimensional drawing



MCR-PT100-I-NC - Resistance thermometer measuring transducer



2810421

<https://www.phoenixcontact.com/us/products/2810421>

Environmental product compliance

China RoHS

Environment friendly use period (EFUP)	EFUP-50
	An article-related China RoHS declaration table can be found in the download area for the respective article under "Manufacturer declaration". For all articles with EFUP-E, no China RoHS declaration table issued and required.

EU REACH SVHC

REACH candidate substance (CAS No.)	No substance above 0.1 wt%
-------------------------------------	----------------------------

Phoenix Contact 2026 © - all rights reserved
<https://www.phoenixcontact.com>

Phoenix Contact USA
586 Fulling Mill Road
Middletown, PA 17057, United States
(+717) 944-1300
info@phoenixcon.com