

MCR-PT100-U - Resistance thermometer measuring transducer

2810340

<https://www.phoenixcontact.com/us/products/2810340>

Please be informed that the data shown in this PDF document is generated from our online catalog. Please find the complete data in the user documentation. Our general terms of use for downloads are valid.



The figure shows version MCR-PT100-I-DC

MCR temperature transducer, for Pt 100, 2-, 3-, 4-conductor technology; input: 0 ... 100°C, 0 ... 150°C, 0 ... 200°C, 0 ... 300°C -50 ... +50°C, -50 ... 100°C, -50 ... 150°C, -50 ... 250°C, output signal: 0 ... 10 V

Your advantages

- Wire-break detection
- ZERO/SPAN adjustment
- Temperature range can be set via DIP switches
- With electrically isolated supply voltage as an option

Commercial data

Item number	2810340
Packing unit	1 pc
Note	Made to order (non-returnable)
Sales key	NULL
Product key	DK1XXX
Weight per piece (including packing)	137.9 g
Weight per piece (excluding packing)	137.3 g
Customs tariff number	85437090
Country of origin	DE

MCR-PT100-U - Resistance thermometer measuring transducer



2810340

<https://www.phoenixcontact.com/us/products/2810340>

Technical data

Notes

Utilization restriction

EMC note	EMC: class A product, see manufacturer's declaration in the download area
----------	---

Product properties

Product type	Temperature transmitter
No. of channels	1

Electrical properties

Alignment span	± 5 %
Alignment zero	± 5 %
Limit frequency (3 dB)	30 Hz
Test voltage power supply/signal	750 V AC (50 Hz, 60 s)
Step response (10-90%)	11 ms
Maximum temperature coefficient	≤ 0.02 %/K
Maximum transmission error	≤ 0.4 % (of final value)

Supply

Supply voltage range	20 V DC ... 30 V DC
Max. current consumption	20 mA

Input data

Signal

Input signal	Temperature
--------------	-------------

Measurement

Configurable/programmable	Yes
Sensor types (RTD) that can be used	Pt 100 (IEC 60751/EN 60751)
Temperature measuring range	0 °C ... 300 °C (0 ... 100/150/200/300) -50 °C ... 250 °C (-50 ... 50/100/150/250)
Temperature measuring range: Pt 100	-50 °C ... 50 °C (fixed setting) -50 °C ... 100 °C (fixed setting) -50 °C ... 150 °C (fixed setting) -50 °C ... 250 °C (fixed setting) 0 °C ... 100 °C (fixed setting) 0 °C ... 150 °C (fixed setting) 0 °C ... 200 °C (fixed setting) 0 °C ... 300 °C (fixed setting)
Sensor input current	approx. 1 mA

MCR-PT100-U - Resistance thermometer measuring transducer



2810340

<https://www.phoenixcontact.com/us/products/2810340>

Connection technology	2-, 3-, 4-conductor
Connection method	Pluggable screw connection

Output data

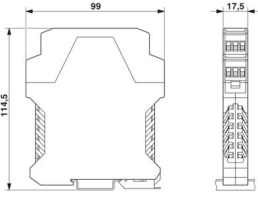
Signal: Voltage output

Voltage output signal	0 V ... 10 V
Max. voltage output signal	15 V
Output voltage with wire break	> 11 V
Load/output load voltage output	$\geq 10 \text{ k}\Omega$

Connection data

Connection method	Screw connection
Stripping length	8 mm
Screw thread	M3
Conductor cross-section rigid	0.2 mm ² ... 2.5 mm ²
Conductor cross-section flexible	0.2 mm ² ... 2.5 mm ²
Conductor cross-section AWG	24 ... 14

Dimensions

Dimensional drawing	
Width	17.5 mm
Height	99 mm
Depth	114.5 mm

Material specifications

Color	green (RAL 6021)
Housing material	Polyamide PA non-reinforced

Environmental and real-life conditions

Ambient conditions

Degree of protection	IP20
Ambient temperature (operation)	-20 °C ... 65 °C

Approvals

CE

Certificate	CE-compliant
-------------	--------------

MCR-PT100-U - Resistance thermometer measuring transducer



2810340

<https://www.phoenixcontact.com/us/products/2810340>

UL, USA/Canada

Identification	UL 508 Recognized
----------------	-------------------

Mounting

Mounting position	any
-------------------	-----

MCR-PT100-U - Resistance thermometer measuring transducer

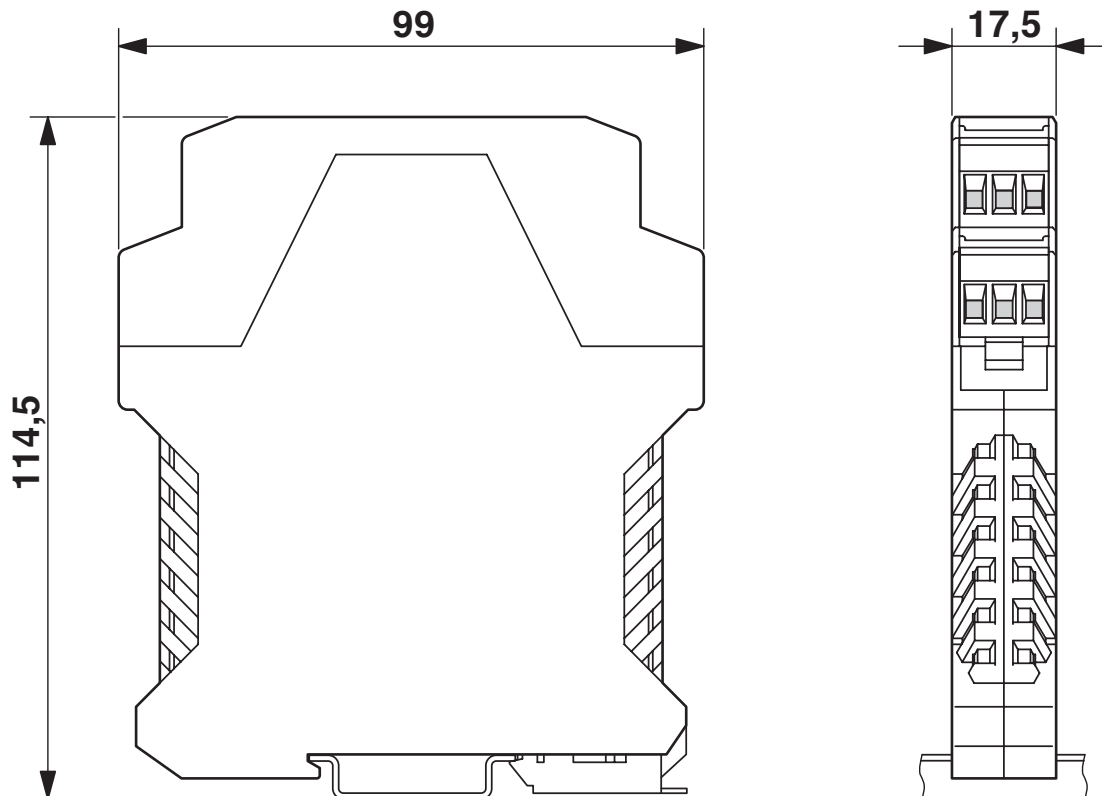


2810340

<https://www.phoenixcontact.com/us/products/2810340>

Drawings

Dimensional drawing

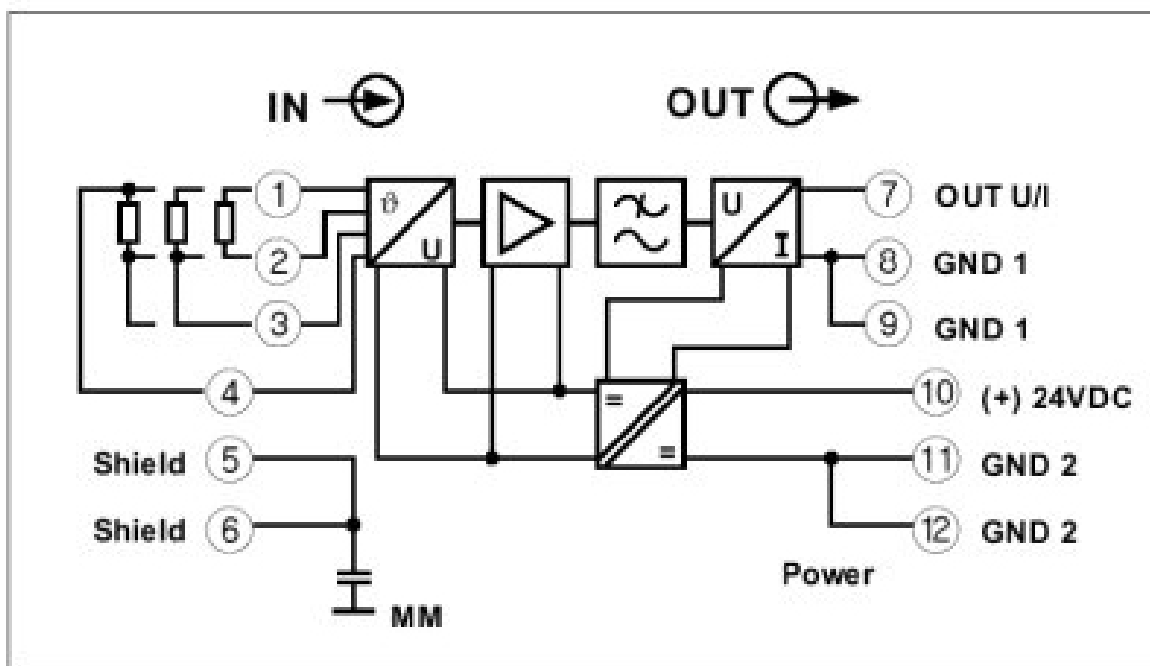


MCR-PT100-U - Resistance thermometer measuring transducer

2810340

<https://www.phoenixcontact.com/us/products/2810340>

Circuit diagram



MCR-PT100-U - Resistance thermometer measuring transducer



2810340

<https://www.phoenixcontact.com/us/products/2810340>

Environmental product compliance

China RoHS

Environment friendly use period (EFUP)	EFUP-50
	An article-related China RoHS declaration table can be found in the download area for the respective article under "Manufacturer declaration". For all articles with EFUP-E, no China RoHS declaration table issued and required.

EU REACH SVHC

REACH candidate substance (CAS No.)	No substance above 0.1 wt%
-------------------------------------	----------------------------

Phoenix Contact 2026 © - all rights reserved
<https://www.phoenixcontact.com>

Phoenix Contact USA
586 Fulling Mill Road
Middletown, PA 17057, United States
(+717) 944-1300
info@phoenixcon.com