

MCR-SPP-I-4 - Limit value switch



2810049

<https://www.phoenixcontact.com/us/products/2810049>

Please be informed that the data shown in this PDF document is generated from our online catalog. Please find the complete data in the user documentation. Our general terms of use for downloads are valid.

MCR threshold value switches, with hysteresis and relay, input signal 4..20 mA



Commercial data

Item number	2810049
Packing unit	1 pc
Note	Made to order (non-returnable)
Sales key	C401
Product key	DK1XXX
GTIN	4017918076573
Weight per piece (including packing)	117.8 g
Weight per piece (excluding packing)	117.8 g
Customs tariff number	85389091
Country of origin	DE

MCR-SPP-I-4 - Limit value switch



2810049

<https://www.phoenixcontact.com/us/products/2810049>

Technical data

Notes

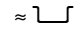
Utilization restriction

EMC note	EMC: class A product, see manufacturer's declaration in the download area
----------	---

Product properties

Product type	Limit value switch
No. of channels	1

Electrical properties

Electrical isolation between input and output	no
Step response (10-90%)	≈  ms
Maximum temperature coefficient	≤ 0.01 %/K

Input data

Signal

Description of the input	Current input
Current input signal	4 mA ... 20 mA
Voltage dissipation	approx. 7 V (6.7 V ... 7.5 V)
Min setting range of the current threshold value	4 mA ... 20 mA
Setting range of the current hysteresis	0.1 mA ... 1 mA
Internal current hysteresis	± 60 µA (around the lower/upper switching point)

Output data

Switching: Relay

Contact switching type	1 changeover contact
Contact material	Rhodium
Maximum switching voltage	150 V DC 125 V AC
Max. switching current	1 A
Interrupting rating (ohmic load) max.	30 W (with DC) 60 VA (with AC)
Mechanical service life	< 10 ⁹ cycles
Status display	LED

Connection data

Connection method	Screw connection
Stripping length	8 mm
Screw thread	M3
Conductor cross-section rigid	0.2 mm ² ... 2.5 mm ²
Conductor cross-section flexible	0.2 mm ² ... 2.5 mm ²

MCR-SPP-I-4 - Limit value switch

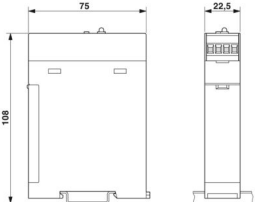


2810049

<https://www.phoenixcontact.com/us/products/2810049>

Conductor cross-section AWG	24 ... 14
-----------------------------	-----------

Dimensions

Dimensional drawing	
Width	22.5 mm
Height	75 mm
Depth	110 mm

Material specifications

Color	green (RAL 6021)
Housing material	ABS

Environmental and real-life conditions

Ambient conditions

Degree of protection	IP20
Ambient temperature (operation)	-20 °C ... 65 °C
Ambient temperature (storage/transport)	-20 °C ... 65 °C

Approvals

CE

Certificate	CE-compliant
-------------	--------------

Mounting

Mounting type	DIN rail mounting
Mounting position	any

MCR-SPP-I-4 - Limit value switch

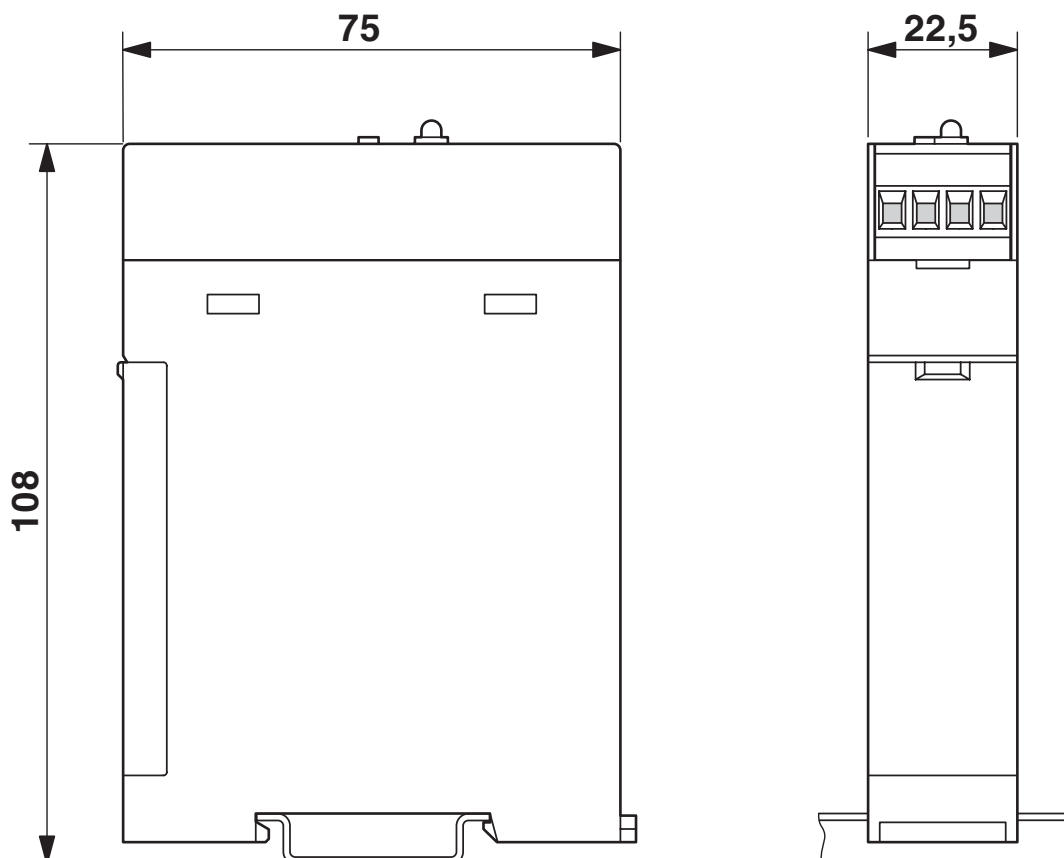
2810049

<https://www.phoenixcontact.com/us/products/2810049>



Drawings

Dimensional drawing

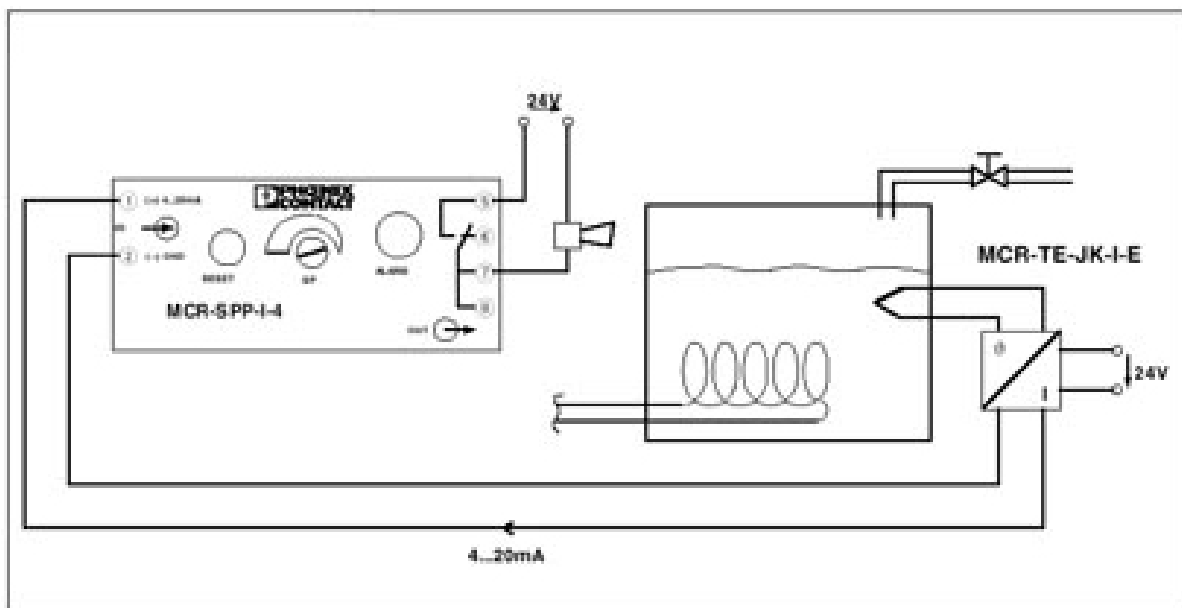


MCR-SPP-I-4 - Limit value switch

2810049

<https://www.phoenixcontact.com/us/products/2810049>

Application drawing



Application example: temperature control

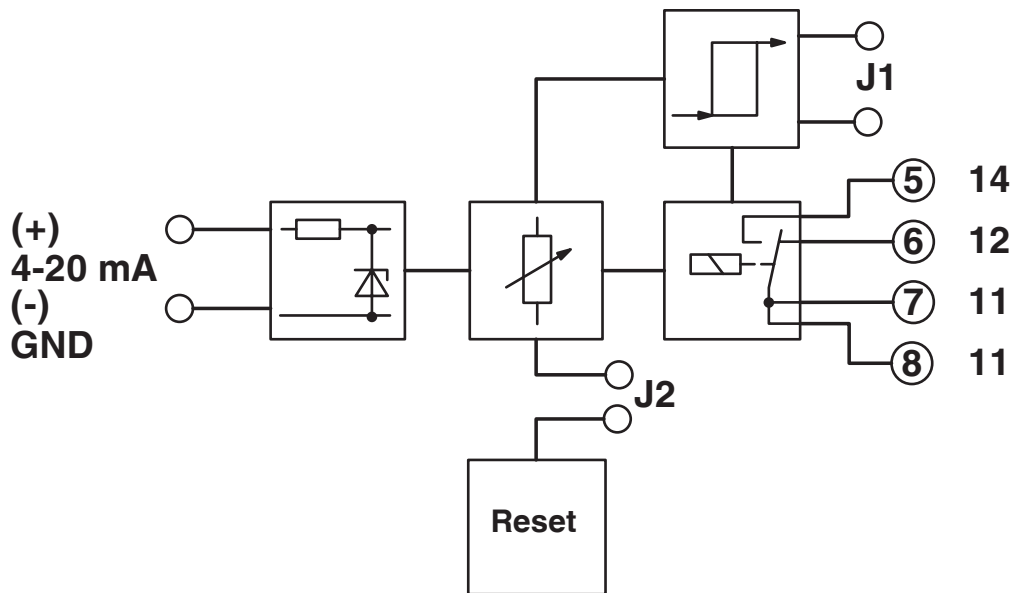
MCR-SPP-I-4 - Limit value switch

2810049

<https://www.phoenixcontact.com/us/products/2810049>



Circuit diagram



MCR-SPP-I-4 - Limit value switch



2810049

<https://www.phoenixcontact.com/us/products/2810049>

Environmental product compliance

EU REACH SVHC

REACH candidate substance (CAS No.)	No substance above 0.1 wt%
-------------------------------------	----------------------------

Phoenix Contact 2026 © - all rights reserved

<https://www.phoenixcontact.com>

Phoenix Contact USA
586 Fulling Mill Road
Middletown, PA 17057, United States
(+717) 944-1300
info@phoenixcon.com