

RCM-A/50/85-264V - Differential current monitoring



2806016

<https://www.phoenixcontact.com/us/products/2806016>

Please be informed that the data shown in this PDF document is generated from our online catalog. Please find the complete data in the user documentation. Our general terms of use for downloads are valid.



Differential current monitor in type A version for detecting pulsing AC and DC leakage currents at 50/60 Hz.

Commercial data

Item number	2806016
Packing unit	1 pc
Sales key	CL05
Product key	CLB211
GTIN	4046356504911
Weight per piece (including packing)	208.3 g
Weight per piece (excluding packing)	100 g
Customs tariff number	90303310
Country of origin	DE

2806016

<https://www.phoenixcontact.com/us/products/2806016>

Technical data

Product properties

Product type	Evaluation unit
Insulation characteristics	
Overvoltage category	III
Pollution degree	2

Electrical properties

Current consumption	< 4 VA
Nominal frequency f_N	50 Hz (60 Hz)
Nominal voltage U_N	85 V AC ... 264 V AC

Typical characteristics

Max. required back-up fuse	16 A (B)
----------------------------	----------

Indicator/remote signaling

Switching function	Changeover contact
Maximum operating voltage $U_{max. AC}$	230 V AC
Max. operating current I_{max}	5 A ($\cos \phi > 0.9$)
Max. required back-up fuse	4 A (gL)

Indicator/remote signaling

Switching function	Changeover contact
--------------------	--------------------

Typical characteristics

Rated response differential current I_{dyn}	3 A
Response differential current $I_{\Delta n}$	30, 100, 300, 1000, 3000 mA (adjustable)
Discrimination threshold main alarm	80 % ... 100 % (of the set response differential current $I_{\Delta n}$)
Discrimination threshold pre-alarm	10 % ... 90 % (of the main alarm threshold, adjustable)
Response time for $2 \times I_{\Delta n}$	0.1 s ... 1 s (adjustable)
Rated voltage U_n	230 V AC
Differential current acquisition characteristic	Type A (50 / 60 Hz)
Rated surge voltage resistance U_{imp}	4 kV

Connection data

Connection method	Screw terminal blocks
Tightening torque	0.6 Nm
Conductor cross-section flexible min.	0.2 mm ²
Conductor cross-section flexible max.	2.5 mm ²
Min. conductor cross-section, flexible, with ferrule	0.25 mm ²
Max. conductor cross-section, flexible, with ferrule	2.5 mm ²
Conductor cross-section, rigid min.	0.2 mm ²
Conductor cross-section, rigid max.	4 mm ²

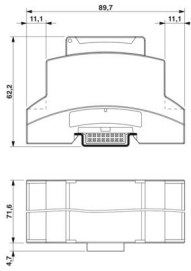
RCM-A/50/85-264V - Differential current monitoring



2806016

<https://www.phoenixcontact.com/us/products/2806016>

Dimensions

Dimensional drawing		
Width		71.6 mm
Height		89.7 mm
Depth		62.2 mm
Horizontal pitch		4 Div.

Material specifications

Housing material	PC
------------------	----

Environmental and real-life conditions

Ambient conditions

Degree of protection	IP20 IP40 (distributor installation with cover)
Ambient temperature (operation)	-25 °C ... 65 °C
Ambient temperature (storage/transport)	-40 °C ... 85 °C

Standards and regulations

Standards/specifications	DIN EN 62020
Standards/specifications	DIN EN 60664

Mounting

Mounting type	DIN rail: 35 mm
Mounting position	any

RCM-A/50/85-264V - Differential current monitoring

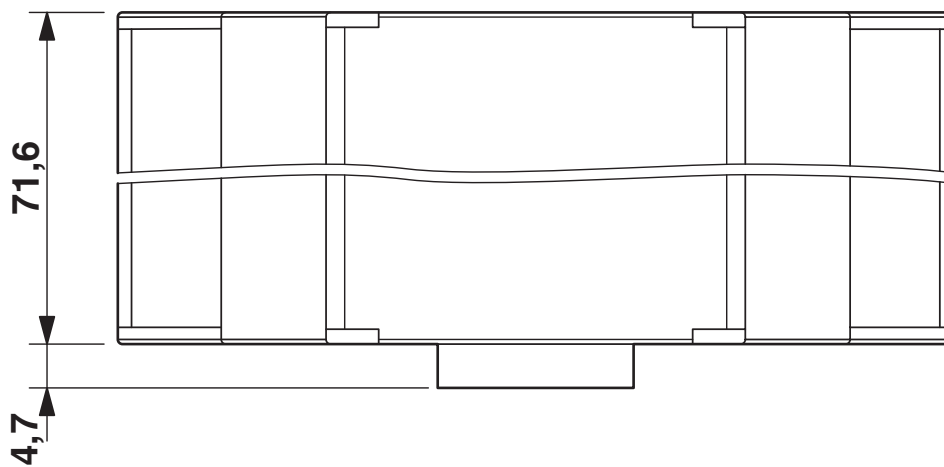
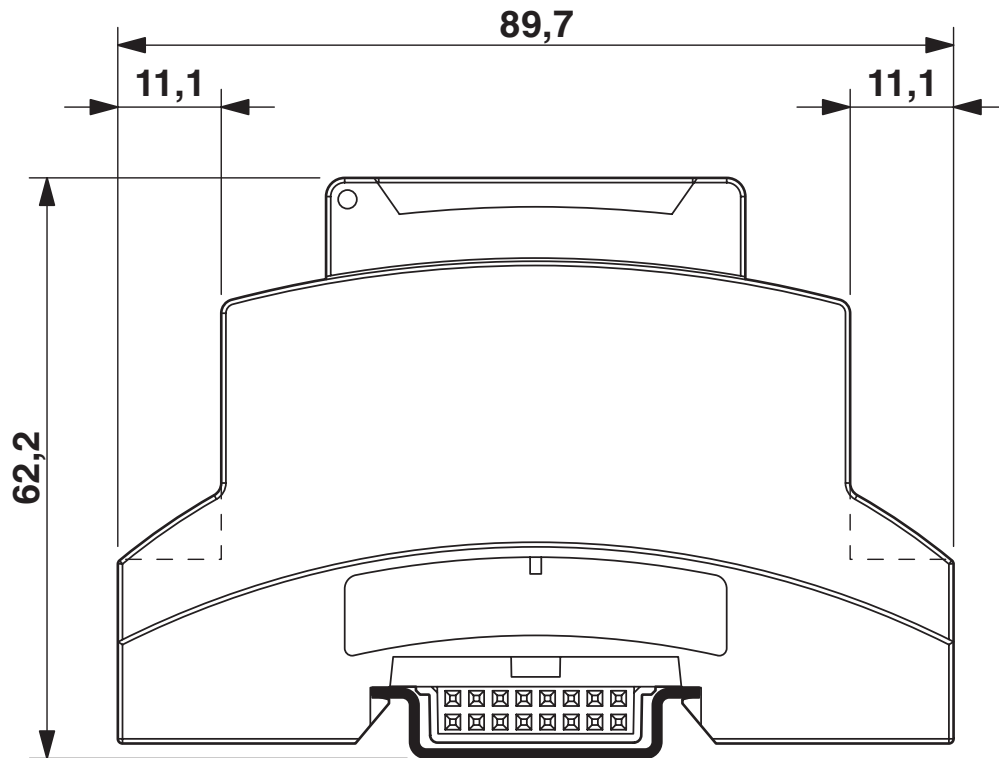


2806016

<https://www.phoenixcontact.com/us/products/2806016>

Drawings

Dimensional drawing

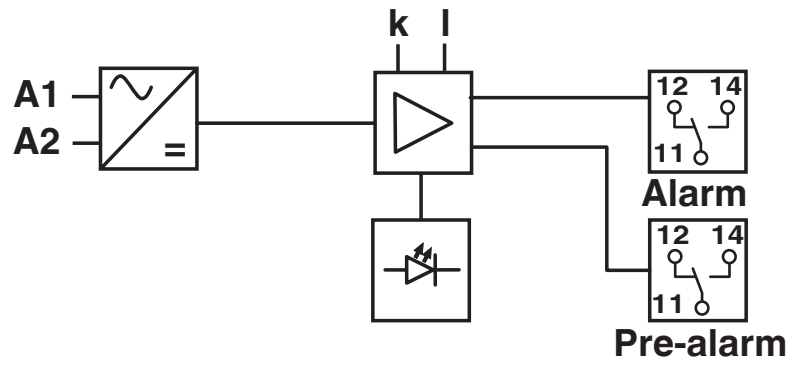


RCM-A/50/85-264V - Differential current monitoring

2806016

<https://www.phoenixcontact.com/us/products/2806016>

Circuit diagram



RCM-A/50/85-264V - Differential current monitoring



2806016

<https://www.phoenixcontact.com/us/products/2806016>

Environmental product compliance

EU REACH SVHC

REACH candidate substance (CAS No.)	No substance above 0.1 wt%
-------------------------------------	----------------------------

Phoenix Contact 2026 © - all rights reserved

<https://www.phoenixcontact.com>

Phoenix Contact USA
586 Fulling Mill Road
Middletown, PA 17057, United States
(+717) 944-1300
info@phoenixcon.com