

VAL-MS 75 VF ST - Type 2 surge protection plug



2805318

<https://www.phoenixcontact.com/us/products/2805318>

Please be informed that the data shown in this PDF document is generated from our online catalog. Please find the complete data in the user documentation. Our general terms of use for downloads are valid.



Surge protection plug type 2 with series connection consisting of varistor and gas-filled spark gap for VAL-MS base element, thermal monitoring, visual fault warning.

Commercial data

Item number	2805318
Packing unit	10 pc
Minimum order quantity	1 pc
Sales key	CL18
Product key	CL1321
GTIN	4046356430869
Weight per piece (including packing)	34.47 g
Weight per piece (excluding packing)	31.52 g
Customs tariff number	85363030
Country of origin	DE

VAL-MS 75 VF ST - Type 2 surge protection plug

2805318

<https://www.phoenixcontact.com/us/products/2805318>

Technical data

Notes

General

Note	The values specified for the L-L protective path are only valid in connection with VAL-MS/2+0-BE/FM/S2
------	--

Product properties

Product type	Replacement plug
Product family	VALVETRAB MS
IEC test classification	II T2
EN type	T2
Type	DIN rail module, two-section, divisible
Number of positions	1
Surge protection fault message	optical

Insulation characteristics

Overvoltage category	III
Pollution degree	2

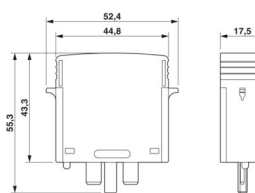
Electrical properties

Nominal frequency f_N	50 Hz (60 Hz)
Nominal voltage U_N	5 V AC ... 48 V AC

Connection data

Connection method	pluggable
-------------------	-----------

Dimensions

Dimensional drawing	
Width	17.5 mm
Height	52.4 mm
Depth	55.3 mm
Horizontal pitch	1 Div.

Material specifications

Color	black (RAL 9005)
Flammability rating according to UL 94	V-0
CTI value of material	600

VAL-MS 75 VF ST - Type 2 surge protection plug



2805318

<https://www.phoenixcontact.com/us/products/2805318>

Insulating material	PA 6.6
Material group	I
Housing material	PA 6.6

Protective circuit

Mode of protection	L-PE
	L-L
Direction of action	1L-N/PE
Nominal voltage U_N	5 V AC ... 48 V AC
Nominal frequency f_N	50 Hz (60 Hz)
Maximum continuous operating voltage U_C	75 V AC
	100 V DC
Protective conductor current I_{PE}	$\leq 5 \mu A$
Standby power consumption P_C	$\leq 1 \text{ mVA}$
Nominal discharge current I_n (8/20) μs	10 kA
Maximum discharge current I_{max} (8/20) μs	20 kA
Short-circuit current rating I_{SCCR}	10 kA
Voltage protection level U_p	$\leq 1.4 \text{ kV}$
Voltage protection level U_p (L-L)	$\leq 1.8 \text{ kV}$
Residual voltage U_{res}	$\leq 0.45 \text{ kV}$ (at I_n)
	$\leq 0.35 \text{ kV}$ (at 5 kA)
	$\leq 0.3 \text{ kV}$ (at 3 kA)
Residual voltage U_{res} (L-L)	$\leq 0.9 \text{ kV}$ (at I_n)
	$\leq 0.7 \text{ kV}$ (at 5 kA)
	$\leq 0.6 \text{ kV}$ (at 3 kA)
Front-of-wave sparkover voltage at 6 kV (1.2/50) μs	$\leq 1.4 \text{ kV}$
Response time t_A	$\leq 100 \text{ ns}$
Max. backup fuse with branch wiring	63 A (gG)

Environmental and real-life conditions

Ambient conditions

Degree of protection	IP20
Ambient temperature (operation)	-40 °C ... 80 °C
Ambient temperature (storage/transport)	-40 °C ... 80 °C
Altitude	$\leq 2000 \text{ m}$ (amsl)
Permissible humidity (operation)	5 % ... 95 %
Shock (operation)	25g
Vibration (operation)	5g

Approvals

UL specifications

Maximum continuous operating voltage MCOV (L-N)	75 V AC
Maximum continuous operating voltage MCOV (L+) - (L-)	100 V DC

VAL-MS 75 VF ST - Type 2 surge protection plug



2805318

<https://www.phoenixcontact.com/us/products/2805318>

Nominal discharge current I_n (L-N)	10 kA
Nominal discharge current I_n (L+) - (L-)	10 kA
Mode of protection	L-N
	(L+) - (L-)
Nominal voltage	48 V AC
Nominal voltage	60 V DC
Power distribution system	Single phase
Nominal frequency	50/60 Hz
Measured limiting voltage MLV (L-N)	1760 V
Measured limiting voltage MLV (L+) - (L-)	1760 V
SPD Type	4CA

Standards and regulations

Standards/specifications	IEC 61643-11
Note	2011
Standards/specifications	EN 61643-11
Note	2012

Mounting

Mounting type	on base element
---------------	-----------------

VAL-MS 75 VF ST - Type 2 surge protection plug

2805318

<https://www.phoenixcontact.com/us/products/2805318>

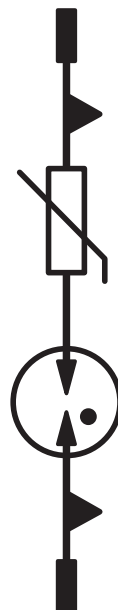


Drawings

Dimensional drawing



Circuit diagram



VAL-MS 75 VF ST - Type 2 surge protection plug



2805318

<https://www.phoenixcontact.com/us/products/2805318>

Approvals

To download certificates, visit the product detail page: <https://www.phoenixcontact.com/us/products/2805318>



cUL Recognized
Approval ID: FILE E 330181



UL Recognized
Approval ID: FILE E 330181

UAE-RoHS

Approval ID: 22-09-51251

VAL-MS 75 VF ST - Type 2 surge protection plug



2805318

<https://www.phoenixcontact.com/us/products/2805318>

Classifications

ECLASS

ECLASS-13.0	27171292
ECLASS-15.0	27171292

ETIM

ETIM 10.0	EC002496
-----------	----------

UNSPSC

UNSPSC 21.0	39121600
-------------	----------

VAL-MS 75 VF ST - Type 2 surge protection plug



2805318

<https://www.phoenixcontact.com/us/products/2805318>

Environmental product compliance

EU RoHS

Fulfills EU RoHS substance requirements	Yes, No exemptions
---	--------------------

China RoHS

Environment friendly use period (EFUP)	EFUP-E
	No hazardous substances above the limits

EU REACH SVHC

REACH candidate substance (CAS No.)	No substance above 0.1 wt%
-------------------------------------	----------------------------

Phoenix Contact 2026 © - all rights reserved
<https://www.phoenixcontact.com>

Phoenix Contact USA
586 Fulling Mill Road
Middletown, PA 17057, United States
(+717) 944-1300
info@phoenixcon.com