

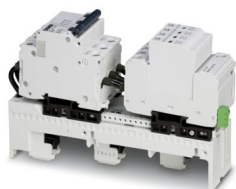
VAL-CP-MOSO 60-3S-FM - Type 2 surge arrester



2804403

<https://www.phoenixcontact.com/us/products/2804403>

Please be informed that the data shown in this PDF document is generated from our online catalog. Please find the complete data in the user documentation. Our general terms of use for downloads are valid.



Combination of type 2 surge protection and arrester backup fuse, with arrester monitoring, in combination with a status indicator and remote indication contact. Design: 5-conductor system (L1, L2, L3, N, PE), mounting on 60 mm system technology (power rail system)

Your advantages

- Tool-free mounting on 5 and 10 mm busbars
- Disconnect device on each individual plug
- Excellent level of information provided by visual status indicator and remote indication contact
- Type 2 consistent plug-in surge arresters

Commercial data

Item number	2804403
Packing unit	1 pc
Minimum order quantity	1 pc
Product key	CL1313
GTIN	4046356317825
Weight per piece (including packing)	1,375.3 g
Weight per piece (excluding packing)	1,208 g
Country of origin	DE

VAL-CP-MOSO 60-3S-FM - Type 2 surge arrester



2804403

<https://www.phoenixcontact.com/us/products/2804403>

Technical data

Product properties

Product type	Surge arrester
IEC test classification	II
	T2
EN type	T2
IEC power supply system	TN-S
	TT
Type	Module for 60 mm system technology
Number of positions	4
Surge protection fault message	Optical, remote indicator contact
Number of ports	One

Insulation characteristics

Overvoltage category	III
Pollution degree	2

Electrical properties

Nominal frequency f_N	50 Hz (60 Hz)
Nominal voltage U_N	240 V AC (230/400 V AC ... 240/415 V AC)

Indicator/remote signaling

Connection name	Remote fault indicator contact
Switching function	Changeover contact
Operating voltage	5 V AC ... 250 V AC
	125 V DC (200 mA DC)
Operating current	5 mA AC ... 1 A AC
	1 A DC (30 V DC)

Connection data

PE conductor connection

Connection method	Screw connection
Screw thread	M5
Tightening torque	4.5 Nm
Stripping length	16 mm
Conductor cross-section flexible	2.5 mm ² ... 16 mm ²
Conductor cross-section rigid	2.5 mm ² ... 25 mm ²
Conductor cross-section AWG	12 ... 4

N conductor connection

Connection method	Screw connection
Screw thread	M5
Tightening torque	4.5 Nm

VAL-CP-MOSO 60-3S-FM - Type 2 surge arrester



2804403

<https://www.phoenixcontact.com/us/products/2804403>

Stripping length	16 mm
Conductor cross-section flexible	2.5 mm ² ... 16 mm ²
Conductor cross-section rigid	2.5 mm ² ... 25 mm ²
Conductor cross-section AWG	12 ... 4

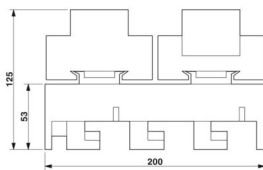
Phase conductor connection

Connection method	60 mm power rail system
-------------------	-------------------------

Remote fault indicator contact

Connection method	Pluggable screw connection
Screw thread	M2
Tightening torque	0.25 Nm
Stripping length	7 mm
Conductor cross-section flexible	0.14 mm ² ... 1.5 mm ²
Conductor cross-section rigid	0.14 mm ² ... 1.5 mm ²
Conductor cross-section AWG	28 ... 16

Dimensions

Dimensional drawing	
Width	54 mm
Height	220 mm
Depth	134 mm

Material specifications

Color	light gray (RAL 7035)
Flammability rating according to UL 94	V-0
CTI value of material	600
Insulating material	PBT, PA6, PA66
Material group	I
Housing material	PBT PA 6 PA 6.6

Protective circuit

Mode of protection	L-N
	L-PE
	N-PE
Direction of action	3L-N & N-PE
Nominal voltage U _N	240/415 V AC (TN-S)
	240/415 V AC (TT)

VAL-CP-MOSO 60-3S-FM - Type 2 surge arrester



2804403

<https://www.phoenixcontact.com/us/products/2804403>

Nominal frequency f_N	50 Hz (60 Hz)
Maximum continuous operating voltage U_C (L-N)	350 V AC
Maximum continuous operating voltage U_C (L-PE)	350 V AC
Maximum continuous operating voltage U_C (N-PE)	264 V AC
Protective conductor current I_{PE}	$\leq 1 \mu\text{A}$
Nominal discharge current I_n (8/20) μs	20 kA
Maximum discharge current I_{max} (8/20) μs (L-N)	25 kA
Maximum discharge current I_{max} (8/20) μs (L-PE)	25 kA
Maximum discharge current I_{max} (8/20) μs (N-PE)	40 kA
Follow current interrupt rating I_{fi} (N-PE)	100 A (264 V AC)
Short-circuit current rating I_{SCCR}	25 kA
Voltage protection level U_p (L-N)	$\leq 2.5 \text{ kV}$
Voltage protection level U_p (N-PE)	$\leq 1.5 \text{ kV}$
Residual voltage U_{res} (L-N)	$\leq 2.1 \text{ kV}$ (at I_n)
	$\leq 1.9 \text{ kV}$ (at 10 kA)
	$\leq 1.8 \text{ kV}$ (at 5 kA)
	$\leq 1.7 \text{ kV}$ (at 3 kA)
Residual voltage U_{res} (L-PE)	$\leq 2.3 \text{ kV}$ (at I_n)
	$\leq 2 \text{ kV}$ (at 10 kA)
	$\leq 1.9 \text{ kV}$ (at 5 kA)
	$\leq 1.8 \text{ kV}$ (at 3 kA)
Residual voltage U_{res} (N-PE)	$\leq 0.5 \text{ kV}$ (at I_n)
	$\leq 0.5 \text{ kV}$ (at 10 kA)
	$\leq 0.5 \text{ kV}$ (at 5 kA)
	$\leq 0.5 \text{ kV}$ (at 3 kA)
TOV behavior at U_T (L-N)	415 V AC (5 s / withstand mode)
	440 V AC (120 min / safe failure mode)
TOV behavior at U_T (N-PE)	1200 V AC (200 ms / withstand mode)
Response time t_A (L-N)	$\leq 25 \text{ ns}$
Response time t_A (L-PE)	$\leq 100 \text{ ns}$
Response time t_A (N-PE)	$\leq 100 \text{ ns}$
Max. backup fuse with branch wiring	not required

Environmental and real-life conditions

Ambient conditions

Degree of protection	IP20
Ambient temperature (operation)	-25 °C ... 55 °C
Ambient temperature (storage/transport)	-40 °C ... 75 °C
Altitude	$\leq 2000 \text{ m}$ (amsl)
Permissible humidity (operation)	5 % ... 95 %

Standards and regulations

Air clearances and creepage distances

VAL-CP-MOSO 60-3S-FM - Type 2 surge arrester



2804403

<https://www.phoenixcontact.com/us/products/2804403>

Standards/regulations	DIN VDE 0110-1 / IEC 60664-1 / IEC 61643-11
Standards/specifications	IEC 61643-11
Note	2011
Standards/specifications	EN 61643-11
Note	2012

Mounting

Mounting type	60 mm system technology (power rail)
---------------	--------------------------------------

VAL-CP-MOSO 60-3S-FM - Type 2 surge arrester

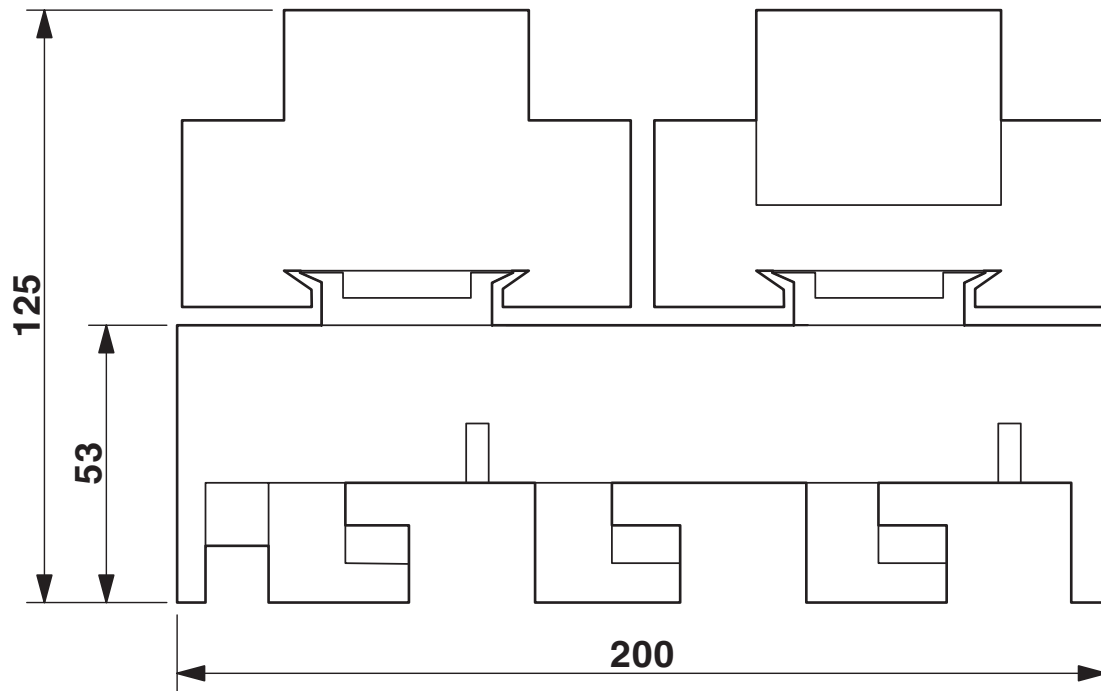


2804403

<https://www.phoenixcontact.com/us/products/2804403>

Drawings

Dimensional drawing



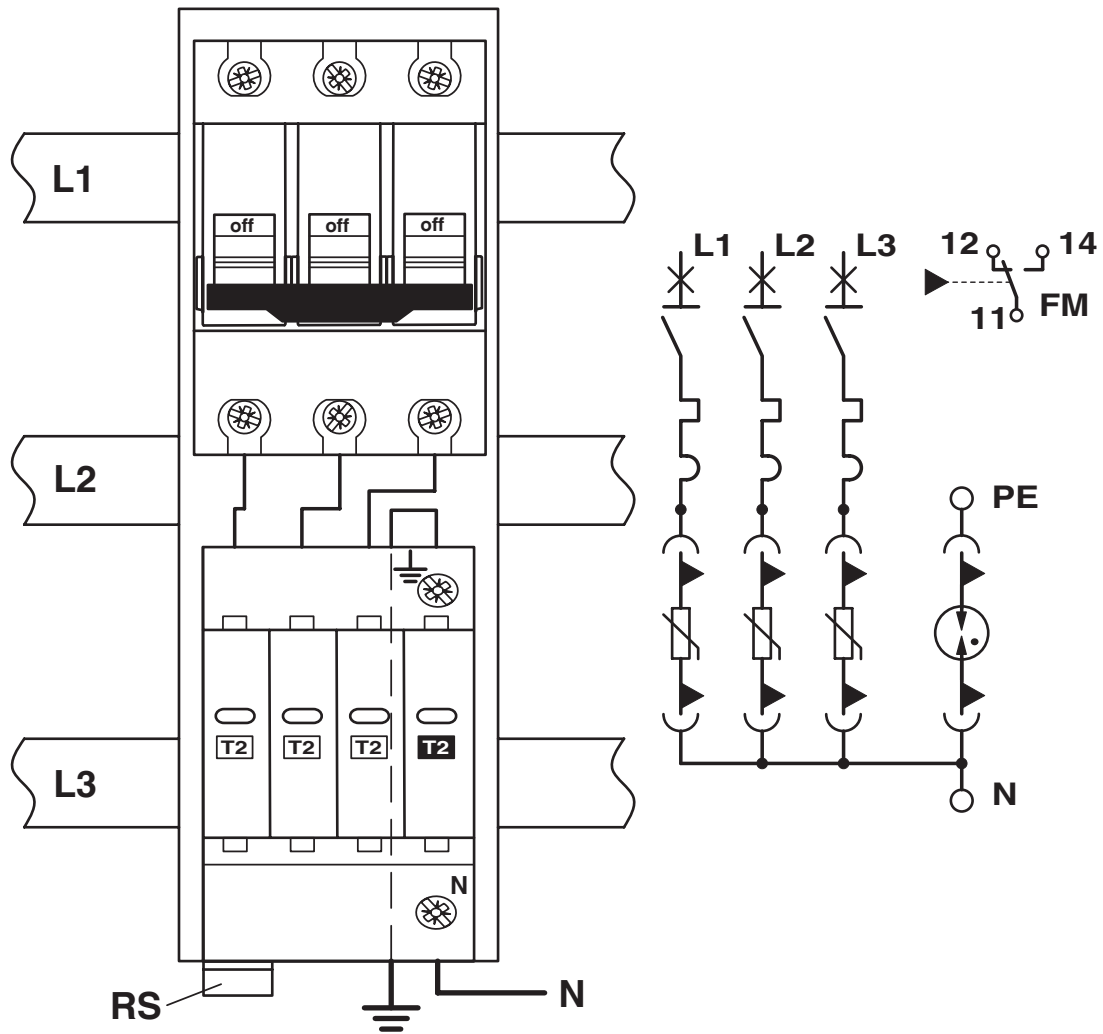
VAL-CP-MOSO 60-3S-FM - Type 2 surge arrester



2804403

<https://www.phoenixcontact.com/us/products/2804403>

Application drawing



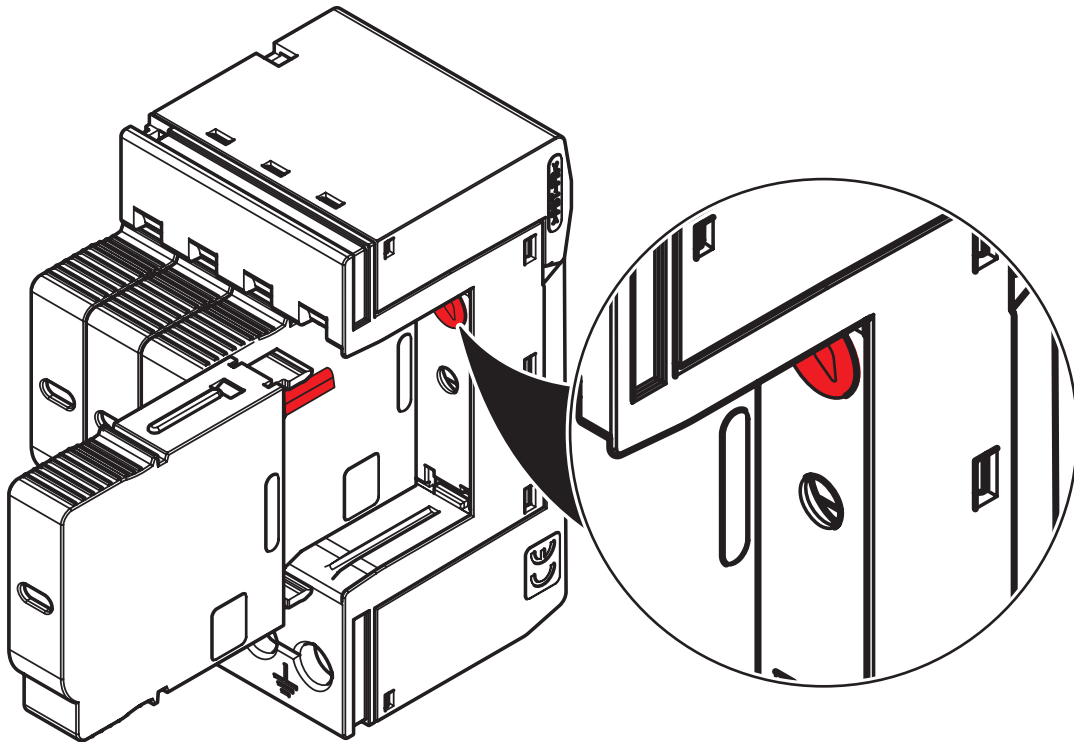
VAL-CP-MOSO 60-3S-FM - Type 2 surge arrester

2804403

<https://www.phoenixcontact.com/us/products/2804403>



Schematic diagram



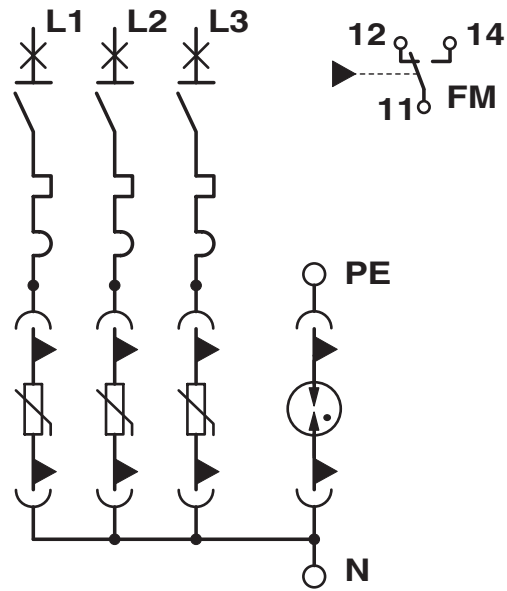
VAL-CP-MOSO 60-3S-FM - Type 2 surge arrester

2804403

<https://www.phoenixcontact.com/us/products/2804403>



Circuit diagram



VAL-CP-MOSO 60-3S-FM - Type 2 surge arrester



2804403

<https://www.phoenixcontact.com/us/products/2804403>

Classifications

ECLASS

ECLASS-13.0	27171202
ECLASS-15.0	27171202

ETIM

ETIM 10.0	EC000941
-----------	----------

UNSPSC

UNSPSC 21.0	39121600
-------------	----------

VAL-CP-MOSO 60-3S-FM - Type 2 surge arrester



2804403

<https://www.phoenixcontact.com/us/products/2804403>

Environmental product compliance

EU RoHS

Fulfills EU RoHS substance requirements	Yes, No exemptions
---	--------------------

China RoHS

Environment friendly use period (EFUP)	EFUP-E
	No hazardous substances above the limits

EU REACH SVHC

REACH candidate substance (CAS No.)	No substance above 0.1 wt%
-------------------------------------	----------------------------

Phoenix Contact 2026 © - all rights reserved
<https://www.phoenixcontact.com>

Phoenix Contact USA
586 Fulling Mill Road
Middletown, PA 17057, United States
(+717) 944-1300
info@phoenixcon.com