

# VAL-SQ SE 160-277/480Y-R - Type 2 surge protection replacement module



2804241

<https://www.phoenixcontact.com/us/products/2804241>

Please be informed that the data shown in this PDF document is generated from our online catalog. Please find the complete data in the user documentation. Our general terms of use for downloads are valid.

Replacement module, 160 kA surge protection, 277/480 V AC Wye system



## Commercial data

Item number	2804241
Packing unit	1 pc
Note	Made to order (non-returnable)
Sales key	CL01
Product key	CL1615
GTIN	4046356317382
Weight per piece (including packing)	4.012 kg
Weight per piece (excluding packing)	4.012 kg
Customs tariff number	85363010
Country of origin	US

# VAL-SQ SE 160-277/480Y-R - Type 2 surge protection replacement module



2804241

<https://www.phoenixcontact.com/us/products/2804241>

## Technical data

### Product properties

Type	Parallel MOV
------	--------------

### Electrical properties

#### General

Power Systems	277/480 V Wye
---------------	---------------

### Connection data

Connection method	Screw terminal blocks
Tightening torque, min	4 Nm

### Protective circuit

Direction of action	3L-N & N-GND
Maximum continuous operating voltage $U_C$	320 V
Response time $t_A$	< 1 ns

### Environmental and real-life conditions

#### Ambient conditions

Ambient temperature (operation)	-40 °C ... 60 °C
Ambient temperature (storage/transport)	-40 °C ... 85 °C
Altitude	3658 m

### Approvals

#### UL specifications

Short-circuit current rating (SCCR)	200 kA
Maximum Surge Current per Phase	160 kA

# VAL-SQ SE 160-277/480Y-R - Type 2 surge protection replacement module

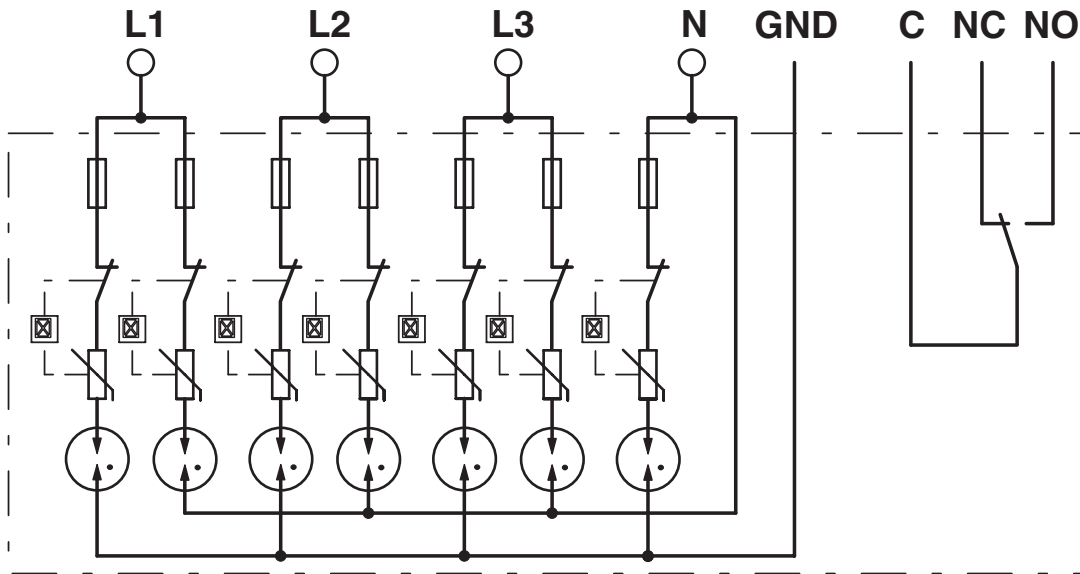


2804241

<https://www.phoenixcontact.com/us/products/2804241>

## Drawings

Circuit diagram



# VAL-SQ SE 160-277/480Y-R - Type 2 surge protection replacement module



2804241

<https://www.phoenixcontact.com/us/products/2804241>

## Environmental product compliance

EU REACH SVHC

REACH candidate substance (CAS No.)	No substance above 0.1 wt%
-------------------------------------	----------------------------

Phoenix Contact 2026 © - all rights reserved  
<https://www.phoenixcontact.com>

Phoenix Contact USA  
586 Fulling Mill Road  
Middletown, PA 17057, United States  
(+717) 944-1300  
[info@phoenixcon.com](mailto:info@phoenixcon.com)