

FLT 35 CTRL-4.0/I - Type 1+2 combined lightning current and surge arrester



2801636

<https://www.phoenixcontact.com/us/products/2801636>

Please be informed that the data shown in this PDF document is generated from our online catalog. Please find the complete data in the user documentation. Our general terms of use for downloads are valid.



Type 1/Class I/B arrester (lightning current arrester) with encapsulated arc chopping spark gap and ignition electronics with control lamp, single-channel. Voltage protection level: 4 kV. Housing width: 17.5 mm (1 HP)

Commercial data

Item number	2801636
Packing unit	1 pc
Minimum order quantity	1 pc
Product key	CL1122
GTIN	4046356907668
Weight per piece (including packing)	188.3 g
Weight per piece (excluding packing)	165.1 g
Country of origin	DE

FLT 35 CTRL-4.0/I - Type 1+2 combined lightning current and surge arrester

2801636

<https://www.phoenixcontact.com/us/products/2801636>

Technical data

Notes

General

Note	100% lightning front-of-wave sparkover voltage (1.2/50) $\mu\text{s} \leq 1.5$ kV
------	---

Product properties

Product type	Combination type
IEC test classification	I
EN type	T1
IEC power supply system	TT
	TN-S
Type	DIN rail module, one-piece
Number of positions	1
Surge protection fault message	optical
Number of ports	One

Insulation characteristics

Overvoltage category	III
Pollution degree	2

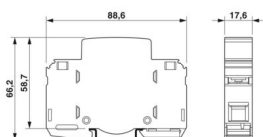
Electrical properties

Nominal frequency f_N	50 Hz (60 Hz)
-------------------------	---------------

Connection data

Connection method	Screw terminal blocks
Screw thread	M5
Tightening torque	4.5 Nm
Stripping length	14.5 mm
Conductor cross-section flexible	2.5 mm ² ... 25 mm ²
Conductor cross-section rigid	2.5 mm ² ... 35 mm ²
Conductor cross-section AWG	6 ... 2

Dimensions

Dimensional drawing	
Width	17.6 mm

FLT 35 CTRL-4.0/I - Type 1+2 combined lightning current and surge arrester



2801636

<https://www.phoenixcontact.com/us/products/2801636>

Height	88.6 mm
Depth	66.2 mm
Horizontal pitch	1 Div.

Material specifications

Flammability rating according to UL 94	V-0
CTI value of material	600
Insulating material	PA 6.6
Material group	I
Housing material	PA 6.6

Mechanical properties

Mechanical data

Open side panel	No
-----------------	----

Protective circuit

Mode of protection	L-PEN
Direction of action	1L-N/PE
Nominal voltage U_N	230/400 V AC (TN)
	230/400 V AC (TT)
Nominal frequency f_N	50 Hz (60 Hz)
Maximum continuous operating voltage U_C (L-PEN)	260 V AC
Rated load current I_L	80 A
Protective conductor current I_{PE}	≤ 2.5 mA
Standby power consumption P_C	≤ 650 mVA
Impulse discharge current (10/350) μ s (L-PEN), charge	17.5 As
Impulse discharge current (10/350) μ s (L-PEN), specific energy	306 J/ Ω
Impulse discharge current (10/350) μ s (L-PEN), peak current value I_{imp}	35 kA
Follow current quenching capacity I_{fi} (L-PEN)	3 kA
Short-circuit current rating I_{SCCR}	3 kA
Voltage protection level U_p (L-PEN)	≤ 4 kV
TOV behavior at U_T (L-PEN)	440 V AC (5 s / withstand mode)
	440 V AC (120 min / withstand mode)
Response time t_A (L-PEN)	≤ 100 ns
Max. backup fuse with V-type through wiring	80 A AC (gG)
Max. backup fuse with branch wiring	400 A AC (gG)

Environmental and real-life conditions

Ambient conditions

Degree of protection	IP20 (only when all terminal points are used)
Ambient temperature (operation)	-40 °C ... 85 °C

FLT 35 CTRL-4.0/I - Type 1+2 combined lightning current and surge arrester



2801636

<https://www.phoenixcontact.com/us/products/2801636>

Ambient temperature (storage/transport)	-40 °C ... 85 °C
Altitude	≤ 2000 m (amsl)
Permissible humidity (operation)	5 % ... 95 %

Standards and regulations

Standards/specifications	IEC 61643-11
Note	2011
Standards/specifications	EN 61643-11
Note	2012

Mounting

Mounting type	DIN rail: 35 mm
---------------	-----------------

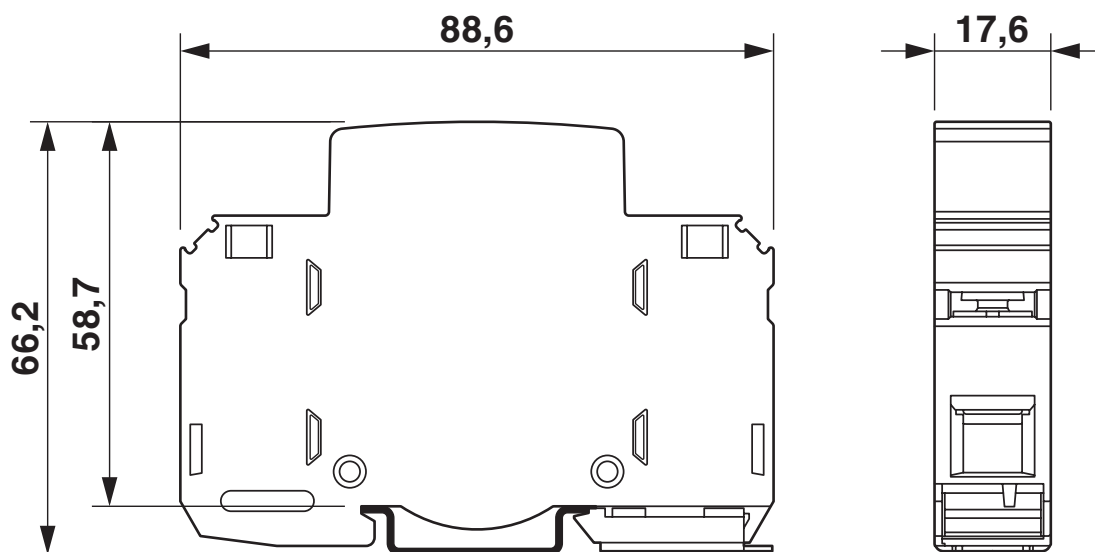
FLT 35 CTRL-4.0/I - Type 1+2 combined lightning current and surge arrester

2801636

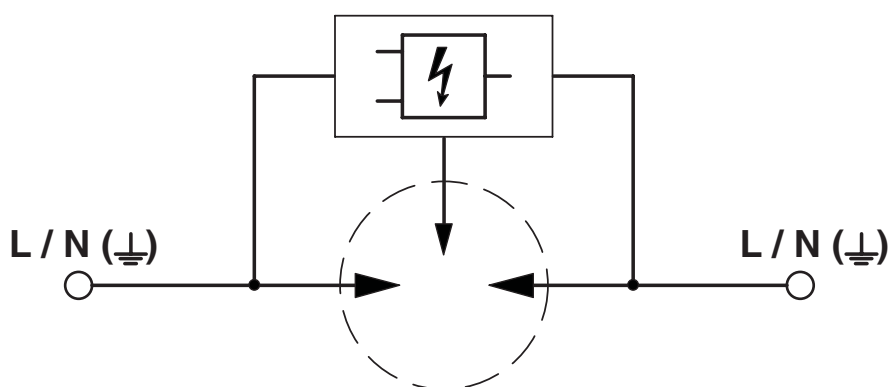
<https://www.phoenixcontact.com/us/products/2801636>

Drawings

Dimensional drawing



Circuit diagram



FLT 35 CTRL-4.0/I - Type 1+2 combined lightning current and surge arrester



2801636

<https://www.phoenixcontact.com/us/products/2801636>

Classifications

UNSPSC

UNSPSC 21.0	39121620
-------------	----------

FLT 35 CTRL-4.0/I - Type 1+2 combined lightning current and surge arrester



2801636

<https://www.phoenixcontact.com/us/products/2801636>

Environmental product compliance

China RoHS

Environment friendly use period (EFUP)	EFUP-50
	An article-related China RoHS declaration table can be found in the download area for the respective article under "Manufacturer declaration". For all articles with EFUP-E, no China RoHS declaration table issued and required.

EU REACH SVHC

REACH candidate substance (CAS No.)	No substance above 0.1 wt%
-------------------------------------	----------------------------

Phoenix Contact 2026 © - all rights reserved
<https://www.phoenixcontact.com>

Phoenix Contact USA
586 Fulling Mill Road
Middletown, PA 17057, United States
(+717) 944-1300
info@phoenixcon.com