

PT-IQ-2X2-EX-24DC-P - Surge protection plug



2801515

<https://www.phoenixcontact.com/us/products/2801515>

Please be informed that the data shown in this PDF document is generated from our online catalog. Please find the complete data in the user documentation. Our general terms of use for downloads are valid.



Surge protection plug with integrated multi-stage status indicator on the module for two 2-wire floating Ex-i signal circuits. Nominal voltage: 24 V DC

Your advantages

- Predictive monitoring with 3-stage LED display
- Integration of the status message into the system controller via group remote signaling
- The signal is not influenced during maintenance work, thanks to the impedance-neutral insertion and removal of protective plugs
- Maximum ease of maintenance, thanks to the 2-piece design
- Maximum protection for MCR applications with high discharge capacity

Commercial data

Item number	2801515
Packing unit	1 pc
Minimum order quantity	1 pc
Sales key	CL22
Product key	CL2152
GTIN	4046356801256
Weight per piece (including packing)	58.5 g
Weight per piece (excluding packing)	58.5 g
Customs tariff number	85363010
Country of origin	DE

PT-IQ-2X2-EX-24DC-P - Surge protection plug

2801515

<https://www.phoenixcontact.com/us/products/2801515>

Technical data

Notes

General

Note	Remote signaling as well as the power supply are established by inserting the connector into the base element.
------	--

Product properties

Product type	Replacement plug
Product family	PLUGTRAB IQ
Type	Male

Insulation characteristics

Overvoltage category	III
Pollution degree	2

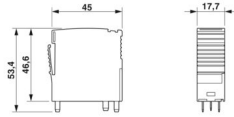
Electrical properties

Nominal voltage U_N	24 V DC
-----------------------	---------

Connection data

Connection method	pluggable
-------------------	-----------

Dimensions

Dimensional drawing	
Width	17.7 mm
Height	45 mm
Depth	53.4 mm
Horizontal pitch	1 Div.

Material specifications

Color	black (RAL 9005) black (RAL 9005)
Flammability rating according to UL 94	V-0
Housing material	PA 6.6

Protective circuit

Nominal voltage U_N	24 V DC
Maximum continuous operating voltage U_C	30 V DC 21 V AC
Rated current	350 mA
Surge protection fault message	Optical, multi-stage

2801515

<https://www.phoenixcontact.com/us/products/2801515>

Environmental and real-life conditions

Ambient conditions

Degree of protection	IP20
Ambient temperature (operation)	-40 °C ... 70 °C
Ambient temperature (storage/transport)	-40 °C ... 85 °C
Altitude	≤ 2000 m (amsl)

Standards and regulations

Standards/specifications	EN 61643-21
Note	A2:2013
Standards/specifications	IEC 61643-21
Note	A2:2012
Standards/specifications	EN 60079-0
Note	2018
Standards/specifications	EN 60079-11
Note	2012
Standards/specifications	EN 60079-15
Note	2010
Standards/specifications	IEC 60079-0
Note	2017
Standards/specifications	IEC 60079-11
Note	2011
Standards/specifications	IEC 60079-15
Note	2010
Standards/specifications	GB/T 3836.1
Note	2021
Standards/specifications	GB/T 3836.3
Note	2021
Standards/specifications	GB/T 3836.4
Note	2021
Standards/specifications	GB/T 3836.8
Note	2021

Mounting

Mounting type	on base element
---------------	-----------------

PT-IQ-2X2-EX-24DC-P - Surge protection plug

2801515

<https://www.phoenixcontact.com/us/products/2801515>



Drawings

Dimensional drawing



PT-IQ-2X2-EX-24DC-P - Surge protection plug



2801515

<https://www.phoenixcontact.com/us/products/2801515>

Approvals

To download certificates, visit the product detail page: <https://www.phoenixcontact.com/us/products/2801515>



UL Listed

Approval ID: FILE E 138168



IECEX

Approval ID: IECEX BVS 14.0017X



cUL Listed

Approval ID: FILE E 333250



UL Listed

Approval ID: FILE E 333250



ATEX

Approval ID: BVS 14 ATEX E 020 X



NEPSI-EX

Approval ID: GYJ20.1158X



CCC

Approval ID: 2020322316001010



UKCA-EX

Approval ID: DEKRA 23UKEX0111X

PT-IQ-2X2-EX-24DC-P - Surge protection plug



2801515

<https://www.phoenixcontact.com/us/products/2801515>

Classifications

ECLASS

ECLASS-13.0	27171502
ECLASS-15.0	27171502

ETIM

ETIM 10.0	EC001466
-----------	----------

UNSPSC

UNSPSC 21.0	39121600
-------------	----------

2801515

<https://www.phoenixcontact.com/us/products/2801515>

Environmental product compliance

EU RoHS

Fulfills EU RoHS substance requirements	Yes
Exemption	6(c), 7(a), 7(c)-I

China RoHS

Environment friendly use period (EFUP)	EFUP-50
	An article-related China RoHS declaration table can be found in the download area for the respective article under "Manufacturer declaration". For all articles with EFUP-E, no China RoHS declaration table issued and required.

EU REACH SVHC

REACH candidate substance (CAS No.)	Lead(CAS: 7439-92-1)
	2,2',6,6'-tetrabromo-4,4'-isopropylidenediphenol(CAS: 79-94-7)
	Lead(CAS: 7439-92-1)
	2,2',6,6'-tetrabromo-4,4'-isopropylidenediphenol(CAS: 79-94-7)
SCIP	f78364f9-84fc-4e83-a009-0c80c0414f2a

EF3.1 Climate Change

CO2e kg	3.784 kg CO2e
---------	---------------

Phoenix Contact 2026 © - all rights reserved

<https://www.phoenixcontact.com>

Phoenix Contact USA

586 Fulling Mill Road

Middletown, PA 17057, United States

(+717) 944-1300

info@phoenixcon.com