

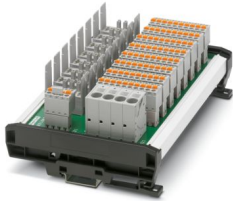
# CBB TM 08 2X4RC P-PT - Potential distributors



2801482

<https://www.phoenixcontact.com/us/products/2801482>

Please be informed that the data shown in this PDF document is generated from our online catalog. Please find the complete data in the user documentation. Our general terms of use for downloads are valid.



Device circuit breaker boards for eight CB TM1... thermal-magnetic circuit breakers with group remote signaling, central supply, and potential distribution for up to five loads per channel.

## Commercial data

Item number	2801482
Packing unit	1 pc
Minimum order quantity	1 pc
Sales key	CL04
Product key	CLA211
GTIN	4046356782326
Weight per piece (including packing)	557 g
Weight per piece (excluding packing)	557 g
Customs tariff number	85362010
Country of origin	DE

## Technical data

### Product properties

Product type	Device circuit breaker board
Type	DIN rail module, two-section, divisible
Number of positions	1
No. of channels	8

### Insulation characteristics

Protection class	III
Overvoltage category	II
Degree of pollution	2

### Electrical properties

Fuse type	Automatic device
Maximum load current	60 A (Complete main circuit)
Maximum current with single arrangement	12 A (per channel)

### General

Rated insulation voltage $U_i$	50 V DC
Rated surge voltage	0.5 kV
Short-circuit current rating	600 A (conditional according to DIN EN 50178)
Power dissipation	4.9 W (with even load on outputs with $I_n$ )
Insertion/withdrawal cycles	50

### Main circuit

Rated voltage	24 V DC
Rated current $I_N$	60 A DC (total) 12 A DC (per channel)

### Remote indication circuit

Rated voltage	24 V DC
Rated current $I_N$	1 A DC

### Connection data

Maximum load current	60 A (Complete main circuit)
----------------------	------------------------------

### Supply X21

Connection method	Push-in connection
Stripping length	18 mm
Conductor cross-section flexible min.	0.75 mm <sup>2</sup>
Conductor cross-section flexible max.	16 mm <sup>2</sup>
Conductor cross-section, rigid min.	0.75 mm <sup>2</sup>
Conductor cross-section, rigid max.	16 mm <sup>2</sup>

### Outputs X1 ... X8

# CBB TM 08 2X4RC P-PT - Potential distributors

2801482

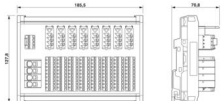
<https://www.phoenixcontact.com/us/products/2801482>

Connection method	Push-in connection
Stripping length	10 mm
Conductor cross-section flexible min.	0.2 mm <sup>2</sup>
Conductor cross-section flexible max.	2.5 mm <sup>2</sup>
Conductor cross-section, rigid min.	0.2 mm <sup>2</sup>
Conductor cross-section, rigid max.	2.5 mm <sup>2</sup>

## Remote signaling X31

Connection method	Push-in connection
Stripping length	10 mm
Conductor cross-section flexible min.	0.2 mm <sup>2</sup>
Conductor cross-section flexible max.	2.5 mm <sup>2</sup>
Conductor cross-section, rigid min.	0.2 mm <sup>2</sup>
Conductor cross-section, rigid max.	2.5 mm <sup>2</sup>

## Dimensions

Dimensional drawing	
Width	185.5 mm
Height	127.8 mm
Depth	70.8 mm

## Material specifications

Color	gray (RAL 7042)
	black (RAL 9005)
Flammability rating according to UL 94	V0

## Mechanical properties

### Mechanical data

Open side panel	No
-----------------	----

## Environmental and real-life conditions

### Ambient conditions

Degree of protection	IP20 (Terminal blocks and fuse holders)
	IP00 (PCB)
Ambient temperature (operation)	-30 °C ... 60 °C (at In 60 A)
Ambient temperature (storage/transport)	-30 °C ... 80 °C

## Standards and regulations

Standards/specifications	DIN EN 50178
Note	1997

# CBB TM 08 2X4RC P-PT - Potential distributors



2801482

<https://www.phoenixcontact.com/us/products/2801482>

## Mounting

Mounting type	DIN rail: 35 mm
Mounting position	horizontal

# CBB TM 08 2X4RC P-PT - Potential distributors

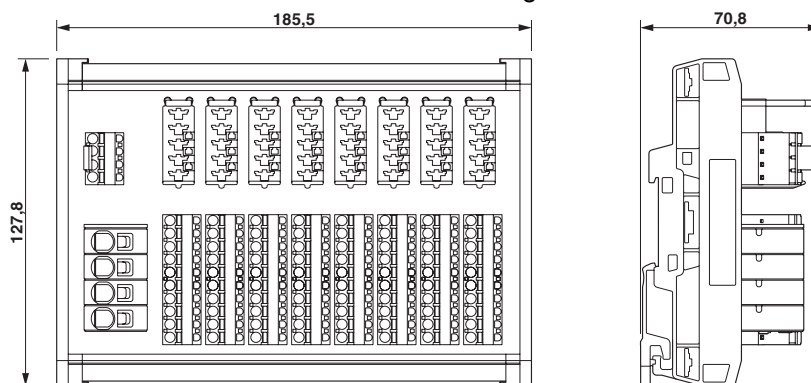


2801482

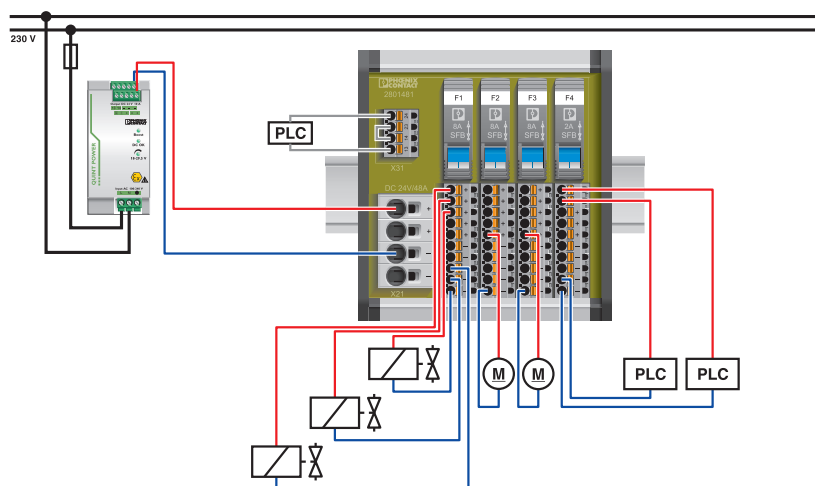
<https://www.phoenixcontact.com/us/products/2801482>

## Drawings

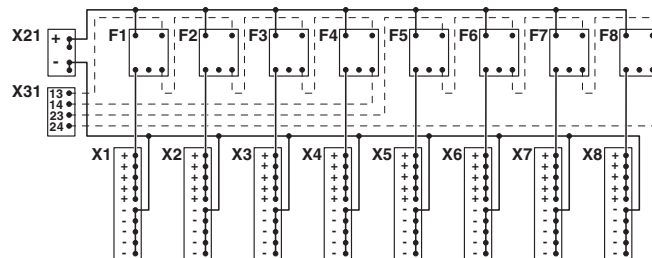
Dimensional drawing



Application drawing



Circuit diagram



# CBB TM 08 2X4RC P-PT - Potential distributors



2801482

<https://www.phoenixcontact.com/us/products/2801482>

## Classifications

### ECLASS

ECLASS-13.0	27371392
ECLASS-15.0	27371392

### ETIM

ETIM 10.0	EC002886
-----------	----------

### UNSPSC

UNSPSC 21.0	39121100
-------------	----------

# CBB TM 08 2X4RC P-PT - Potential distributors



2801482

<https://www.phoenixcontact.com/us/products/2801482>

## Environmental product compliance

### EU RoHS

Fulfills EU RoHS substance requirements	Yes, No exemptions
-----------------------------------------	--------------------

### China RoHS

Environment friendly use period (EFUP)	EFUP-E
	No hazardous substances above the limits

### EU REACH SVHC

REACH candidate substance (CAS No.)	No substance above 0.1 wt%
-------------------------------------	----------------------------

Phoenix Contact 2026 © - all rights reserved  
<https://www.phoenixcontact.com>

Phoenix Contact USA  
586 Fulling Mill Road  
Middletown, PA 17057, United States  
(+717) 944-1300  
[info@phoenixcon.com](mailto:info@phoenixcon.com)