

# CB 1/10-1/10 UT-BE - Base element

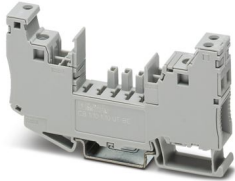


2801305

<https://www.phoenixcontact.com/us/products/2801305>

Please be informed that the data shown in this PDF document is generated from our online catalog. Please find the complete data in the user documentation. Our general terms of use for downloads are valid.

Base element with screw connection technology for CB... device circuit breakers



## Your advantages

- Fast installation with reduced wiring work with bridging options
- Can be extended at any time with the modular design
- Reliable installation with screw connection technology
- Clear assignment of protective plug with coding options

## Commercial data

Item number	2801305
Packing unit	10 pc
Minimum order quantity	10 pc
Sales key	CL04
Product key	CLA193
GTIN	4046356769198
Weight per piece (including packing)	44.47 g
Weight per piece (excluding packing)	39.42 g
Customs tariff number	85366990
Country of origin	ID

## Technical data

### Product properties

Product type	Base element
Product family	CB BE
Type	Base element, DIN rail mounting

### Electrical properties

Nominal voltage $U_N$	277 V
-----------------------	-------

#### General

Rated voltage	277 V (AC)
	80 V (DC)
Rated insulation voltage $U_i$	277 V AC
Rated current $I_N$	16 A
Rated surge voltage	2.5 kV
Insertion/withdrawal cycles	100

#### Indicator/remote signaling

Connection name	Remote indication circuit
Switching function	Changeover contact

### Connection data

Connection method	Screw connection
-------------------	------------------

#### Connection 1

Connection method	Screw connection
Tightening torque	1.2 Nm
Stripping length	10 mm
Conductor cross-section flexible min.	0.5 mm <sup>2</sup>
Conductor cross-section flexible max.	16 mm <sup>2</sup>
Conductor cross-section, rigid min.	0.5 mm <sup>2</sup>
Conductor cross-section, rigid max.	16 mm <sup>2</sup>

#### Connection 2

Connection method	Screw connection
Tightening torque	1.2 Nm
Stripping length	10 mm
Conductor cross-section flexible min.	0.5 mm <sup>2</sup>
Conductor cross-section flexible max.	16 mm <sup>2</sup>
Conductor cross-section, rigid min.	0.5 mm <sup>2</sup>
Conductor cross-section, rigid max.	16 mm <sup>2</sup>

#### Remote indication circuit

Connection method	Screw connection
Tightening torque	0.5 Nm

# CB 1/10-1/10 UT-BE - Base element

2801305

<https://www.phoenixcontact.com/us/products/2801305>

Stripping length	9 mm
Conductor cross-section flexible	0.14 mm <sup>2</sup> ... 4 mm <sup>2</sup>
Conductor cross-section rigid	0.14 mm <sup>2</sup> ... 4 mm <sup>2</sup>
Conductor cross-section AWG	26 ... 16
Conductor cross-section, flexible, with ferrule, with plastic sleeve	0.14 mm <sup>2</sup> ... 2.5 mm <sup>2</sup>

## Dimensions

Dimensional drawing	
Width	12.3 mm
Height	90.8 mm
Depth	70 mm

## Material specifications

Color	gray (RAL 7042)
	black (RAL 9005)
Flammability rating according to UL 94	V0

## Mechanical properties

### Mechanical data

Open side panel	No
-----------------	----

## Environmental and real-life conditions

### Ambient conditions

Degree of protection	IP30 (Actuation area)
Ambient temperature (operation)	-30 °C ... 60 °C

## Standards and regulations

Standards/specifications	UL 1059
--------------------------	---------

## Mounting

Mounting type	DIN rail: 35 mm
---------------	-----------------

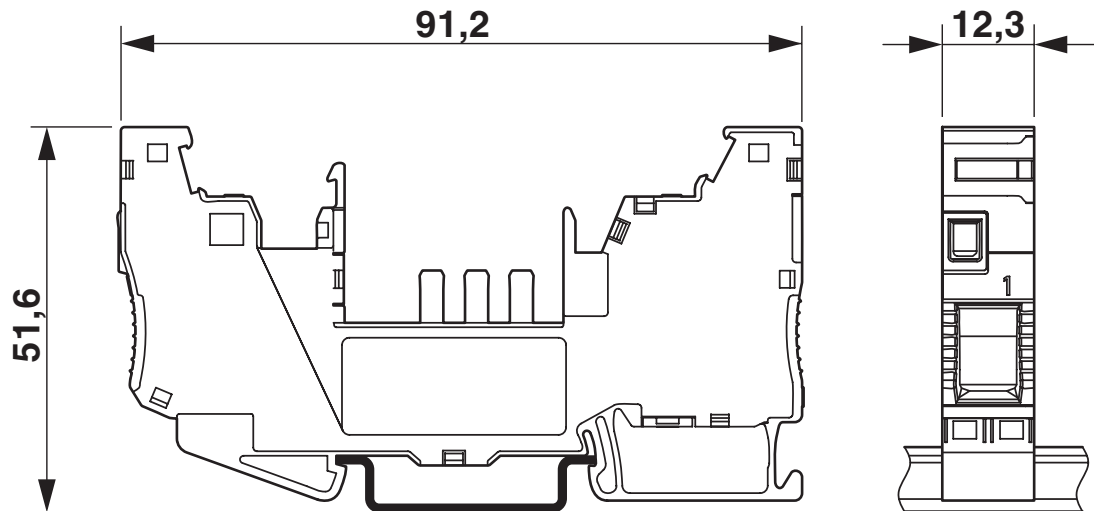
# CB 1/10-1/10 UT-BE - Base element

2801305

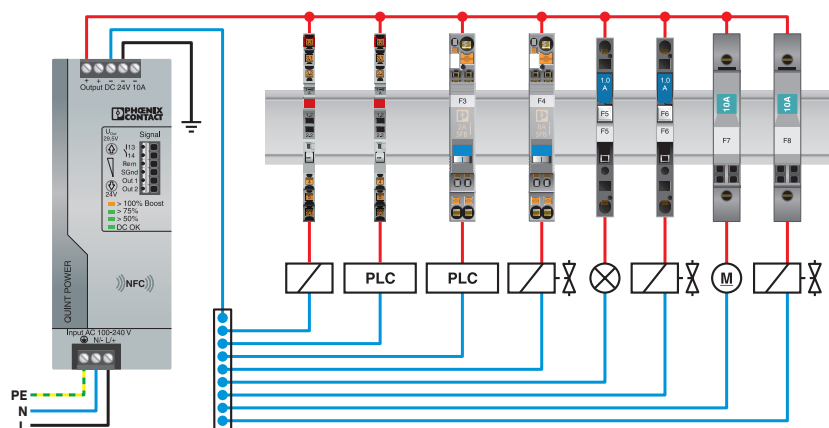
<https://www.phoenixcontact.com/us/products/2801305>

## Drawings

Dimensional drawing



Application drawing



# CB 1/10-1/10 UT-BE - Base element



2801305

<https://www.phoenixcontact.com/us/products/2801305>

## Approvals

To download certificates, visit the product detail page: <https://www.phoenixcontact.com/us/products/2801305>



**cUL Recognized**

Approval ID: FILE E 60425



**UL Recognized**

Approval ID: FILE E 60425



**DNV GL**

Approval ID: TAE00003C7



**cULus Listed**

Approval ID: E123528

# CB 1/10-1/10 UT-BE - Base element



2801305

<https://www.phoenixcontact.com/us/products/2801305>

## Classifications

### ECLASS

ECLASS-13.0	27140401
ECLASS-15.0	27140401

### ETIM

ETIM 10.0	EC003538
-----------	----------

### UNSPSC

UNSPSC 21.0	39121400
-------------	----------

# CB 1/10-1/10 UT-BE - Base element



2801305

<https://www.phoenixcontact.com/us/products/2801305>

## Environmental product compliance

### EU RoHS

Fulfills EU RoHS substance requirements	Yes, No exemptions
---	--------------------

### China RoHS

Environment friendly use period (EFUP)	EFUP-E
	No hazardous substances above the limits

### EU REACH SVHC

REACH candidate substance (CAS No.)	No substance above 0.1 wt%
-------------------------------------	----------------------------

Phoenix Contact 2026 © - all rights reserved  
<https://www.phoenixcontact.com>

Phoenix Contact USA  
586 Fulling Mill Road  
Middletown, PA 17057, United States  
(+717) 944-1300  
[info@phoenixcon.com](mailto:info@phoenixcon.com)