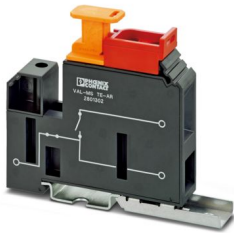


VAL-MS TE-AR - Surge protection base-element

2801302

<https://www.phoenixcontact.com/us/products/2801302>

Please be informed that the data shown in this PDF document is generated from our online catalog. Please find the complete data in the user documentation. Our general terms of use for downloads are valid.



Terminal element for isolation of field wires. Provides separate field and house termination, tool-free isolation disconnect and test point. Design: 1-channel, bridgeable.

Your advantages

- Tagout-ready, automatic locking disconnect
- Separate field and house wire termination
- Tool-free field wire disconnect and test point
- IP20 touch safe when connected
- Tested for railway applications

Commercial data

Item number	2801302
Packing unit	10 pc
Minimum order quantity	10 pc
Note	Made to order (non-returnable)
Sales key	CL18
Product key	CL1151
GTIN	4046356895613
Weight per piece (including packing)	222.222 g
Weight per piece (excluding packing)	222.222 g
Customs tariff number	85363010
Country of origin	US

VAL-MS TE-AR - Surge protection base-element



2801302

<https://www.phoenixcontact.com/us/products/2801302>

Technical data

Product properties

Product type	Base element
Product family	VALVETRAB MS
Type	Termination block with disconnect and test point
Number of positions	1

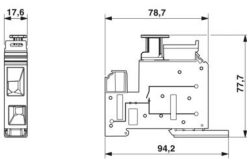
Electrical properties

Nominal voltage U_N	500 V AC
Nominal current I_N	76 A

Connection data

Connection method	Screw terminal block
Tightening torque	3 Nm ... 4.5 Nm (Ground)
	1.5 Nm ... 1.8 Nm (House)
	2.5 Nm ... 3 Nm (Field)
Conductor cross-section flexible	0.5 mm ² ... 15 mm ² (10 mm strip length)
	1.5 mm ² ... 25 mm ² (14 mm strip length)
Conductor cross-section rigid	0.5 mm ² ... 15 mm ² (10 mm strip length)
	1.5 mm ² ... 25 mm ² (14 mm strip length)
Conductor cross-section AWG	20 ... 6 (10 mm strip length)
	12 ... 4 (14 mm strip length)

Dimensions

Dimensional drawing	
Width	17.7 mm
Height	94 mm
Depth	78 mm

Material specifications

Color	black (RAL 9005)
	black (RAL 9005)
Flammability rating according to UL 94	V0
Housing material	PA

Mechanical properties

Mechanical data

Open side panel	No
-----------------	----

VAL-MS TE-AR - Surge protection base-element



2801302

<https://www.phoenixcontact.com/us/products/2801302>

Environmental and real-life conditions

Ambient conditions

Degree of protection	IP20
Ambient temperature (operation)	-40 °C ... 80 °C
Altitude	max. 3000 m

Mounting

Mounting type	DIN rail mounting with additional retaining screw
---------------	---

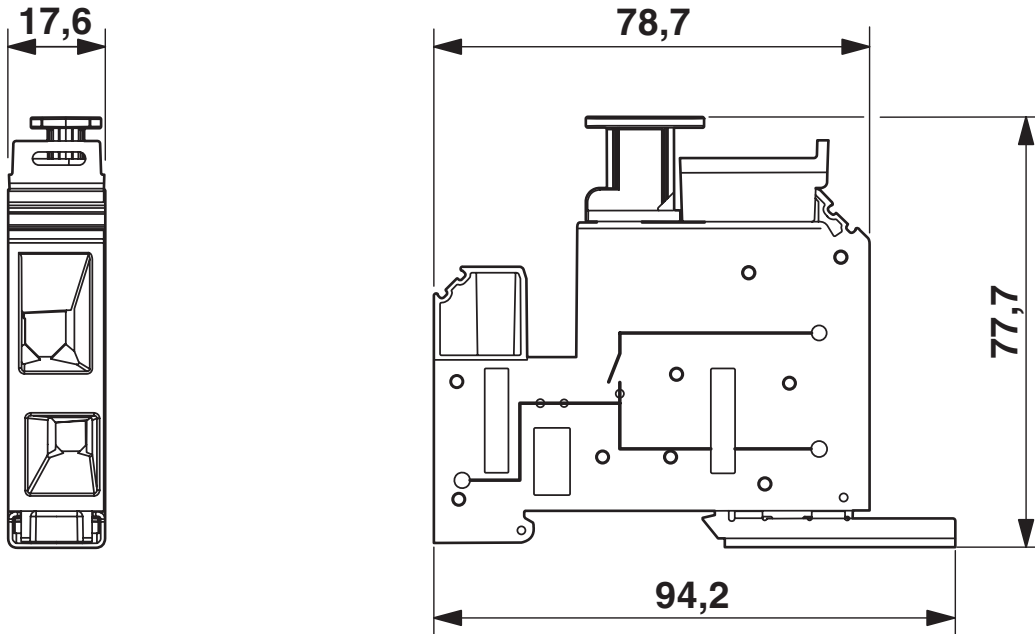
VAL-MS TE-AR - Surge protection base-element

2801302

<https://www.phoenixcontact.com/us/products/2801302>

Drawings

Dimensional drawing



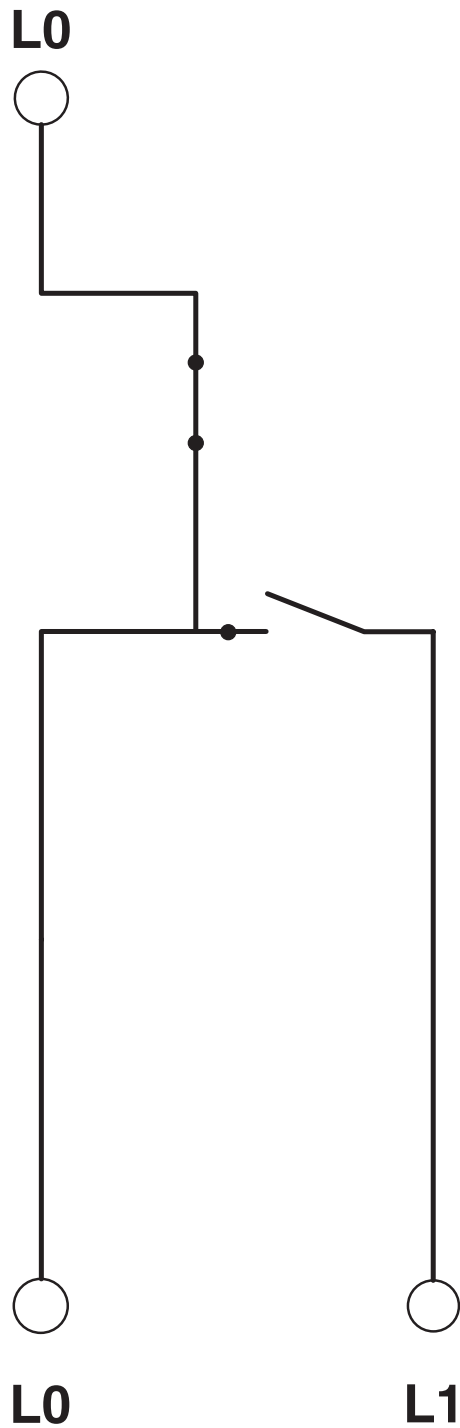
VAL-MS TE-AR - Surge protection base-element

2801302

<https://www.phoenixcontact.com/us/products/2801302>



Connection diagram



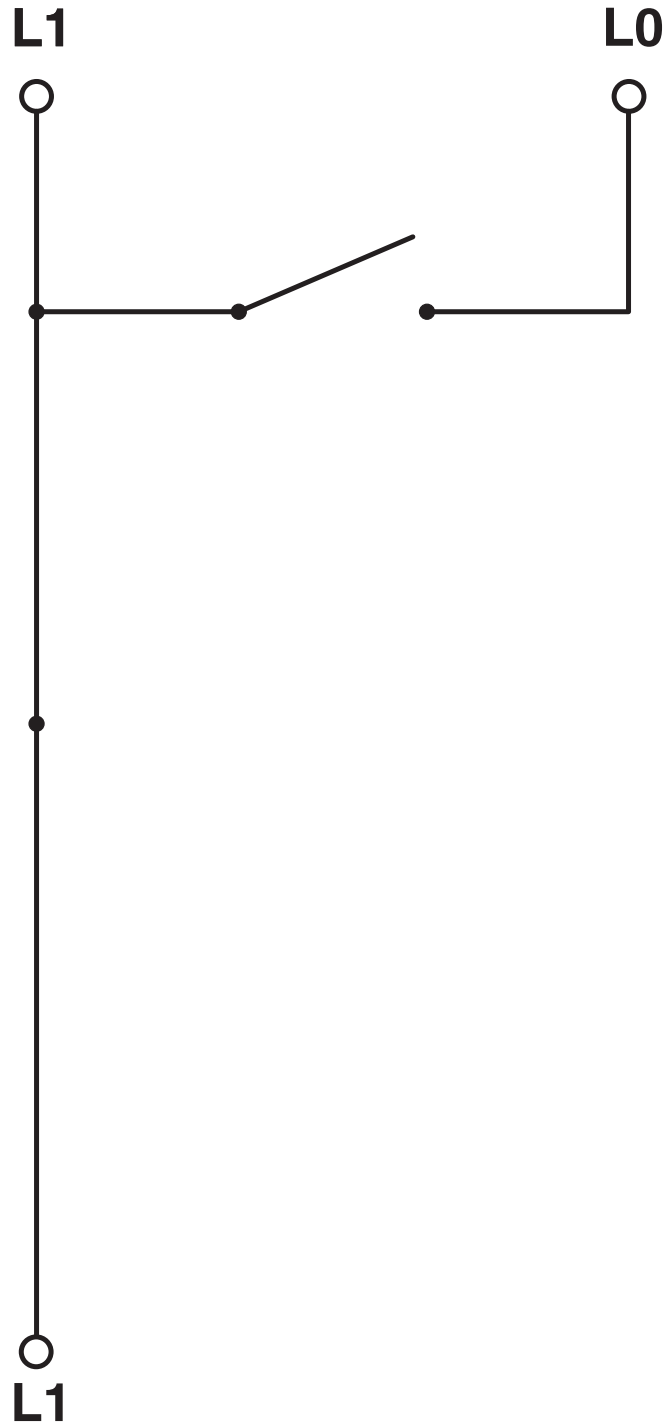
VAL-MS TE-AR - Surge protection base-element

2801302

<https://www.phoenixcontact.com/us/products/2801302>



Circuit diagram



VAL-MS TE-AR - Surge protection base-element



2801302

<https://www.phoenixcontact.com/us/products/2801302>

Classifications

ECLASS

ECLASS-13.0

27171292

ETIM

ETIM 9.0

EC002496

UNSPSC

UNSPSC 21.0

39121620

VAL-MS TE-AR - Surge protection base-element



2801302

<https://www.phoenixcontact.com/us/products/2801302>

Environmental product compliance

EU RoHS

Fulfills EU RoHS substance requirements	Not applicable, Not qualified for the European market
---	---

China RoHS

Environment friendly use period (EFUP)	EFUP-50
	An article-related China RoHS declaration table can be found in the download area for the respective article under "Manufacturer declaration". For all articles with EFUP-E, no China RoHS declaration table issued and required.

EU REACH SVHC

REACH candidate substance (CAS No.)	No substance above 0.1 wt%
-------------------------------------	----------------------------

Phoenix Contact 2026 © - all rights reserved

<https://www.phoenixcontact.com>

Phoenix Contact USA
586 Fulling Mill Road
Middletown, PA 17057, United States
(+717) 944-1300
info@phoenixcon.com