

PT-IQ-PTB-PT - Supply and remote module



2801296

<https://www.phoenixcontact.com/us/products/2801296>

Please be informed that the data shown in this PDF document is generated from our online catalog. Please find the complete data in the user documentation. Our general terms of use for downloads are valid.



Module for power supply and multi-stage, floating remote signaling of connected surge protection modules.

Your advantages

- Predictive monitoring with 3-stage LED display
- Integration of the status message into the system controller via group remote signaling
- Install quickly and error-free with DIN rail connectors
- Supply of up to 28 protective devices due to high feed-in power
- Maximum protection for MCR applications with high discharge capacity

Commercial data

| | |
|--------------------------------------|---------------|
| Item number | 2801296 |
| Packing unit | 1 pc |
| Minimum order quantity | 1 pc |
| Sales key | CL22 |
| Product key | CL2153 |
| GTIN | 4046356766760 |
| Weight per piece (including packing) | 121.5 g |
| Weight per piece (excluding packing) | 117.6 g |
| Customs tariff number | 85363030 |
| Country of origin | DE |

PT-IQ-PTB-PT - Supply and remote module



2801296

<https://www.phoenixcontact.com/us/products/2801296>

Technical data

Notes

General

| | |
|------|---|
| Note | Remote signaling as well as the power supply of the DIN rail connector are established by snapping the module into place on the DIN rail connector. |
|------|---|

Product properties

| | |
|----------------|---|
| Product type | Surge protection for MCR technology |
| Product family | PLUGTRAB IQ |
| Type | DIN rail module, two-section, divisible |

Insulation characteristics

| | |
|----------------------|----|
| Overvoltage category | II |
| Pollution degree | 2 |

Electrical properties

Indicator/remote signaling

| | |
|--------------------|-----------------|
| Switching function | 2x N/C contacts |
|--------------------|-----------------|

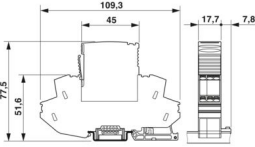
Supply: Status indicator/remote signaling

| | |
|---|-----------------------|
| Operating voltage | 20 V DC ... 30 V DC |
| Rated current | max. 130 mA (24 V DC) |
| | max. 160 mA (20 V DC) |
| Max. required back-up fuse | 500 mA (T) |
| Number of surge protection modules that can be mounted side by side | 28 (32 °C) |

Connection data

| | |
|----------------------------------|---|
| Connection method | Push-in connection |
| Conductor cross-section flexible | 0.2 mm ² ... 2.5 mm ² |
| Conductor cross-section rigid | 0.2 mm ² ... 4 mm ² |
| Conductor cross-section AWG | 24 ... 12 |

Dimensions

| | |
|---------------------|--|
| Dimensional drawing |  |
| Width | 17.7 mm |
| Height | 109.3 mm |
| Depth | 77.5 mm (incl. DIN rail 7.5 mm) |

PT-IQ-PTB-PT - Supply and remote module



2801296

<https://www.phoenixcontact.com/us/products/2801296>

| | |
|------------------|--------|
| Horizontal pitch | 1 Div. |
|------------------|--------|

Material specifications

| | |
|--|------------------|
| Color | black (RAL 9005) |
| Flammability rating according to UL 94 | V-0 |
| Housing material | PA 6.6 |

Mechanical properties

Mechanical data

| | |
|-----------------|----|
| Open side panel | No |
|-----------------|----|

Protective circuit

| | |
|--------------------------------|--|
| Surge protection fault message | Optical, multi-stage remote indication contact |
|--------------------------------|--|

Environmental and real-life conditions

Ambient conditions

| | |
|---|------------------|
| Degree of protection | IP20 |
| Ambient temperature (operation) | -40 °C ... 70 °C |
| Ambient temperature (storage/transport) | -40 °C ... 85 °C |
| Altitude | ≤ 4000 m (amsl) |

Standards and regulations

| | |
|--------------------------|----------------|
| Standards/specifications | EN 61000-6-2 |
| Note | 2005 |
| Standards/specifications | EN 61000-6-3 |
| Note | 2007 + A1:2011 |
| Standards/specifications | EN 60950-1 |
| Note | 2006 + A2:2013 |

Mounting

| | |
|---------------|-----------------|
| Mounting type | DIN rail: 35 mm |
|---------------|-----------------|

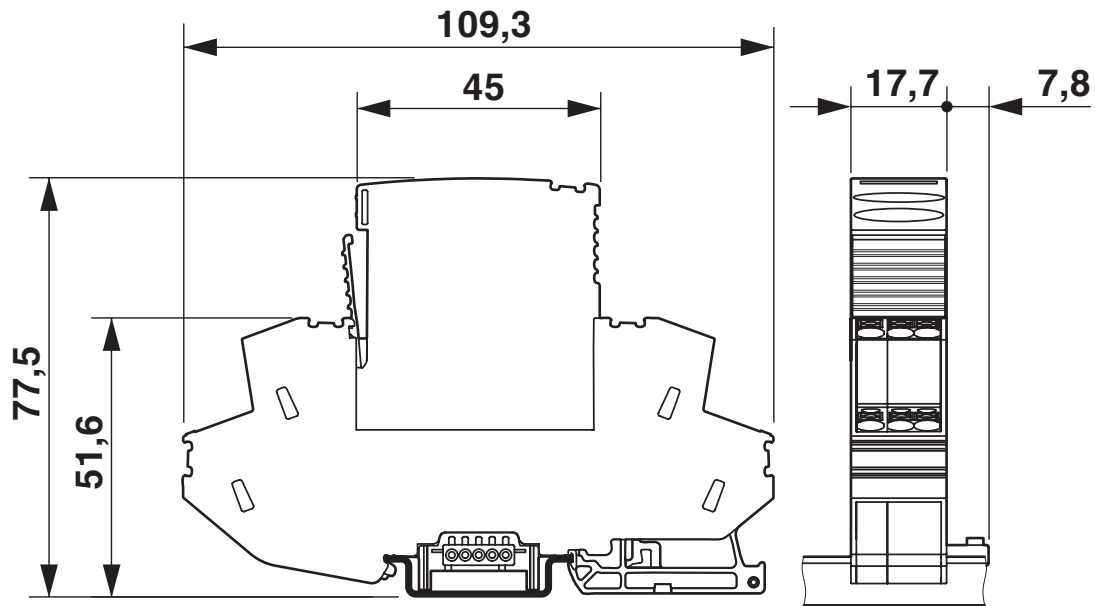
PT-IQ-PTB-PT - Supply and remote module

2801296

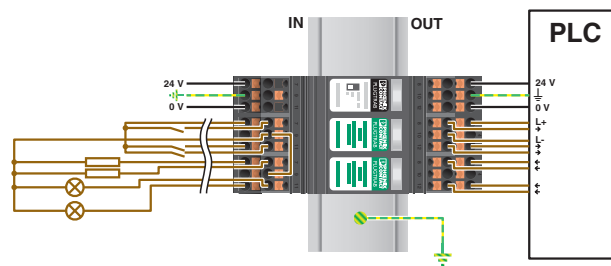
<https://www.phoenixcontact.com/us/products/2801296>

Drawings

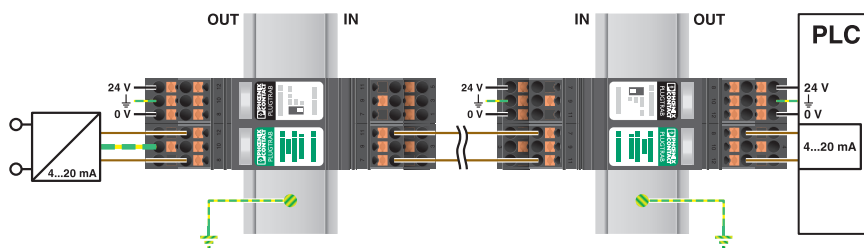
Dimensional drawing



Application drawing



Application drawing



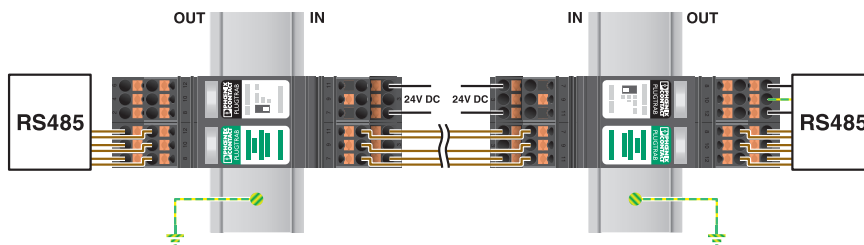
PT-IQ-PTB-PT - Supply and remote module



2801296

<https://www.phoenixcontact.com/us/products/2801296>

Application drawing



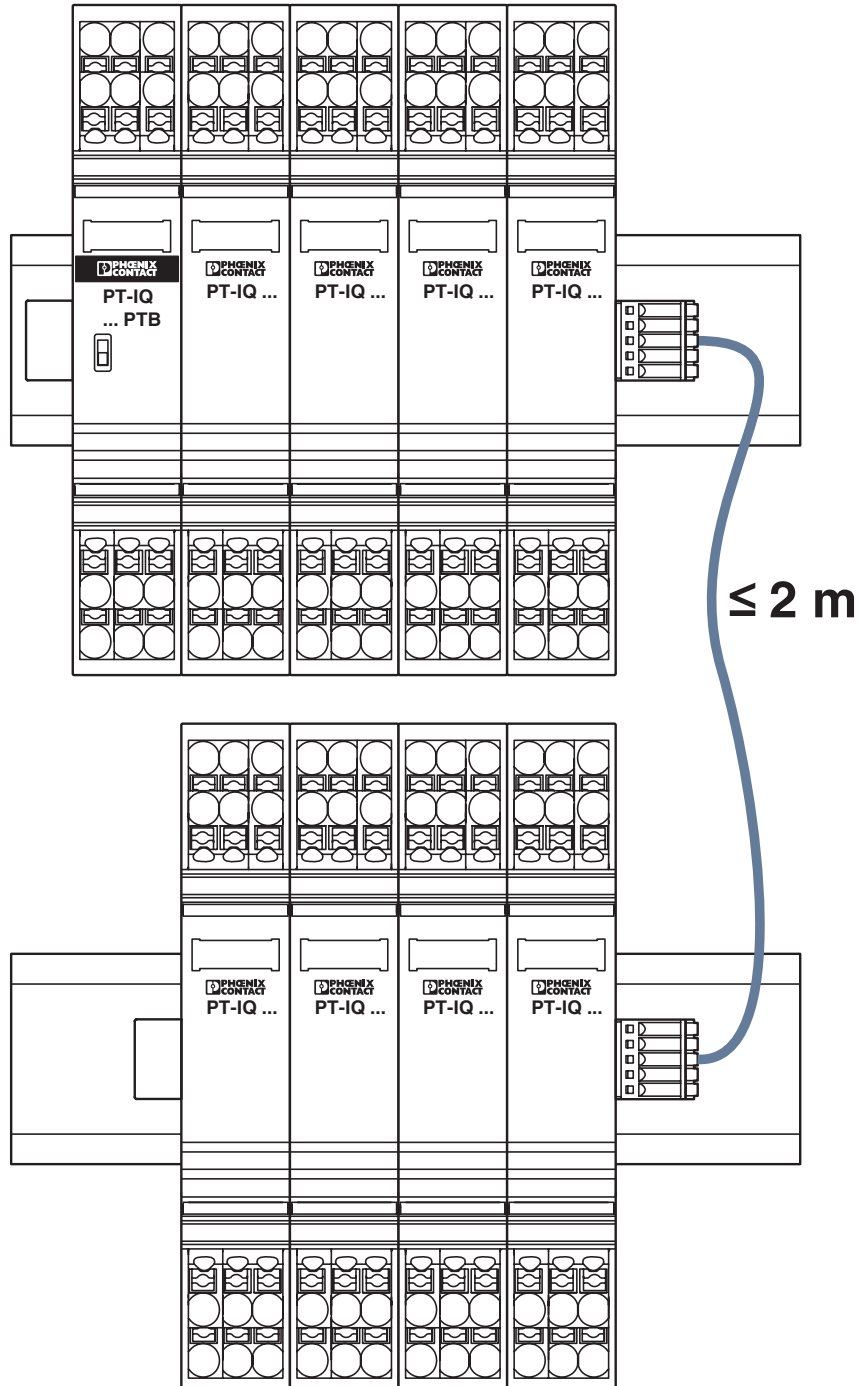
PT-IQ-PTB-PT - Supply and remote module

2801296

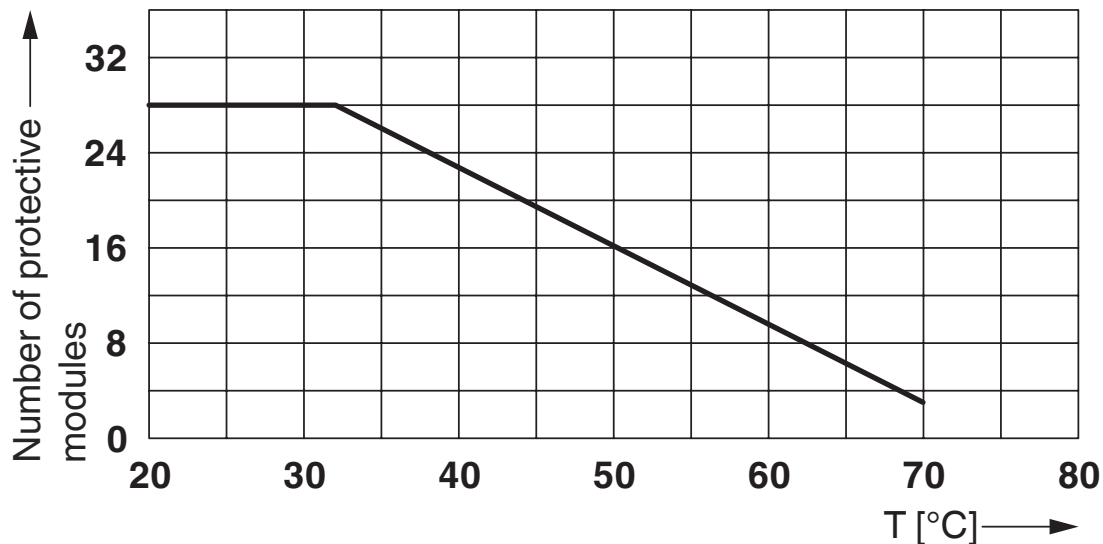
<https://www.phoenixcontact.com/us/products/2801296>



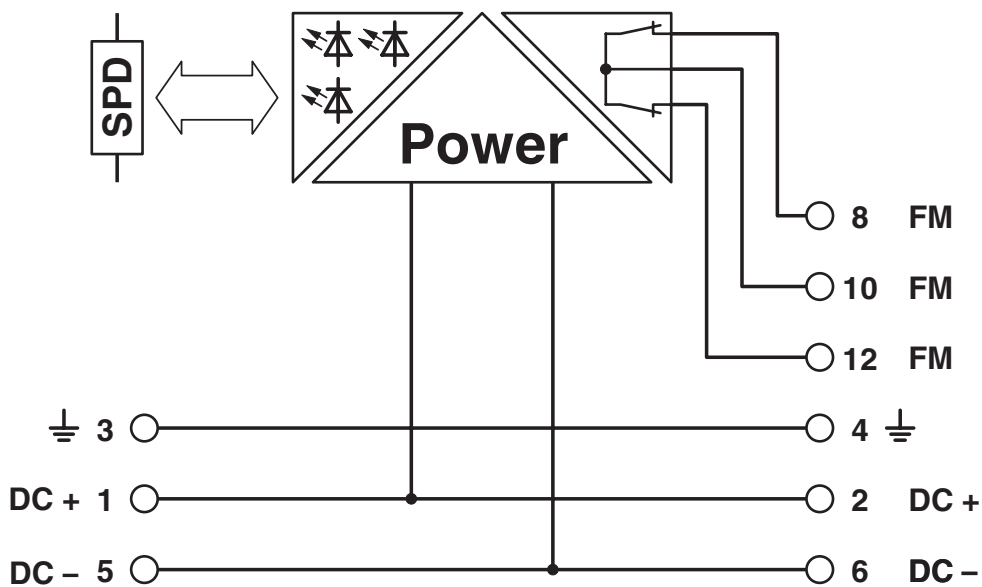
Schematic diagram



Diagram



Circuit diagram



PT-IQ-PTB-PT - Supply and remote module



2801296

<https://www.phoenixcontact.com/us/products/2801296>

Approvals

To download certificates, visit the product detail page: <https://www.phoenixcontact.com/us/products/2801296>



CSA

Approval ID: 2761632



UL Listed

Approval ID: FILE E 138168



CSAus

Approval ID: 2761632

PT-IQ-PTB-PT - Supply and remote module



2801296

<https://www.phoenixcontact.com/us/products/2801296>

Classifications

ECLASS

| | |
|-------------|----------|
| ECLASS-13.0 | 27171501 |
| ECLASS-15.0 | 27171501 |

ETIM

| | |
|-----------|----------|
| ETIM 10.0 | EC001466 |
|-----------|----------|

UNSPSC

| | |
|-------------|----------|
| UNSPSC 21.0 | 39121600 |
|-------------|----------|

PT-IQ-PTB-PT - Supply and remote module



2801296

<https://www.phoenixcontact.com/us/products/2801296>

Environmental product compliance

EU RoHS

| | |
|---|--------------------|
| Fulfills EU RoHS substance requirements | Yes |
| Exemption | 6(c), 7(a), 7(c)-I |

China RoHS

| | |
|--|---|
| Environment friendly use period (EFUP) | EFUP-50 |
| | An article-related China RoHS declaration table can be found in the download area for the respective article under "Manufacturer declaration". For all articles with EFUP-E, no China RoHS declaration table issued and required. |

EU REACH SVHC

| | |
|-------------------------------------|--------------------------------------|
| REACH candidate substance (CAS No.) | Lead(CAS: 7439-92-1) |
| SCIP | c8da6a20-c1ab-40fe-a697-76722d313e1d |

Phoenix Contact 2026 © - all rights reserved

<https://www.phoenixcontact.com>

Phoenix Contact USA
586 Fulling Mill Road
Middletown, PA 17057, United States
(+717) 944-1300
info@phoenixcon.com