

# VAL-MS-T1/T2 75/12.5 ST - Type 1/2 surge protection plug



2801146

<https://www.phoenixcontact.com/us/products/2801146>

Please be informed that the data shown in this PDF document is generated from our online catalog. Please find the complete data in the user documentation. Our general terms of use for downloads are valid.

Replacement plug for VAL-MS-T1/T2 75/12.5... plug-in lighting/surge arrester.



## Commercial data

Item number	2801146
Packing unit	10 pc
Minimum order quantity	1 pc
Note	Made to order (non-returnable)
Sales key	CL18
Product key	CL1151
GTIN	4046356708340
Weight per piece (including packing)	819.1 g
Weight per piece (excluding packing)	81.91 g
Customs tariff number	85363030
Country of origin	DE

# VAL-MS-T1/T2 75/12.5 ST - Type 1/2 surge protection plug

2801146

<https://www.phoenixcontact.com/us/products/2801146>

## Technical data

### Product properties

Product type	Replacement plug
Product family	VALVETRAB MS
IEC test classification	I / II T1 / T2
EN type	T1 / T2
IEC power supply system	TN
Type	Male
Surge protection fault message	optical

### Insulation characteristics

Overvoltage category	III
Pollution degree	2

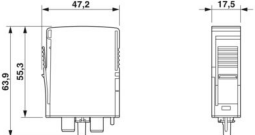
### Electrical properties

Nominal frequency $f_N$	50 Hz (60 Hz)
Nominal voltage $U_N$	60 V DC

### Connection data

Connection method	pluggable
-------------------	-----------

### Dimensions

Dimensional drawing	
Width	17.7 mm
Height	47 mm
Depth	67.3 mm
Horizontal pitch	1 Div.

### Material specifications

Color	black (RAL 9005) black (RAL 9005)
Flammability rating according to UL 94	V-0
CTI value of material	600
Insulating material	PA 6.6/PBT
Material group	I
Housing material	PA 6.6 PBT

# VAL-MS-T1/T2 75/12.5 ST - Type 1/2 surge protection plug



2801146

<https://www.phoenixcontact.com/us/products/2801146>

## Protective circuit

Mode of protection	L-N
	N-PE
	(L+) - (L-)
	(L+) - PE
Direction of action	L-N / L-PEN
Nominal voltage $U_N$	60 V AC $\pm 10\%$ (TN)
	60 V DC $\pm 10\%$
Nominal frequency $f_N$	50 Hz (60 Hz)
Maximum continuous operating voltage $U_C$	75 V AC
	100 V DC
Protective conductor current $I_{PE}$	$\leq 0.3$ mA
Standby power consumption $P_C$	$\leq 45$ mVA
Nominal discharge current $I_n$ (8/20) $\mu$ s	12.5 kA
Maximum discharge current $I_{max}$ (8/20) $\mu$ s	50 kA
Impulse discharge current (10/350) $\mu$ s, charge	6.25 As
Impulse discharge current (10/350) $\mu$ s, specific energy	39 kJ/ $\Omega$
Impulse discharge current (10/350) $\mu$ s, peak value $I_{imp}$	12.5 kA
Short-circuit current rating $I_{SCCR}$	0.5 kA
Voltage protection level $U_p$	$\leq 0.7$ kV
Residual voltage $U_{res}$	$\leq 0.7$ kV (at $I_n$ )
	$\leq 0.65$ kV (at 10 kA)
	$\leq 0.6$ kV (at 5 kV)
	$\leq 0.55$ kV (at 4 kA)
	$\leq 0.55$ kV (at 3 kA)
TOV behavior at $U_T$	208 V AC (5 s / withstand mode)
	100 V DC (5 s / withstand mode)
Response time $t_A$	$\leq 25$ ns
Max. backup fuse with branch wiring	160 A (gG)

## Environmental and real-life conditions

### Ambient conditions

Degree of protection	IP20
Ambient temperature (operation)	-40 °C ... 80 °C
Ambient temperature (storage/transport)	-40 °C ... 80 °C
Altitude	$\leq 2000$ m (amsl)
Permissible humidity (operation)	5 % ... 95 %
Shock (operation)	30g (Half-sine / 11 ms / 3x $\pm X$ , $\pm Y$ , $\pm Z$ )
Vibration (operation)	7.5g (10 ... 500 Hz / 2.5 h / X, Y, Z)

## Approvals

### UL specifications

# VAL-MS-T1/T2 75/12.5 ST - Type 1/2 surge protection plug



2801146

<https://www.phoenixcontact.com/us/products/2801146>

Maximum continuous operating voltage MCOV (L-N)	75 V AC
Maximum continuous operating voltage MCOV (L+) - (L-)	100 V DC
Nominal discharge current $I_n$ (L-N)	20 kA
Nominal discharge current $I_n$ (L+) - (L-)	20 kA
Mode of protection	L-N (L+) - (L-)
Nominal voltage	60 V AC
Nominal voltage	60 V DC
Power distribution system	Single phase
Nominal frequency	50/60 Hz
Measured limiting voltage MLV (L-N)	2080 V
Measured limiting voltage MLV (L+) - (L-)	2080 V
SPD Type	4CA

## Standards and regulations

Standards/specifications	IEC 61643-11
Note	2011
Standards/specifications	EN 61643-11
Note	2012

## Mounting

Mounting type	on base element
---------------	-----------------

# VAL-MS-T1/T2 75/12.5 ST - Type 1/2 surge protection plug

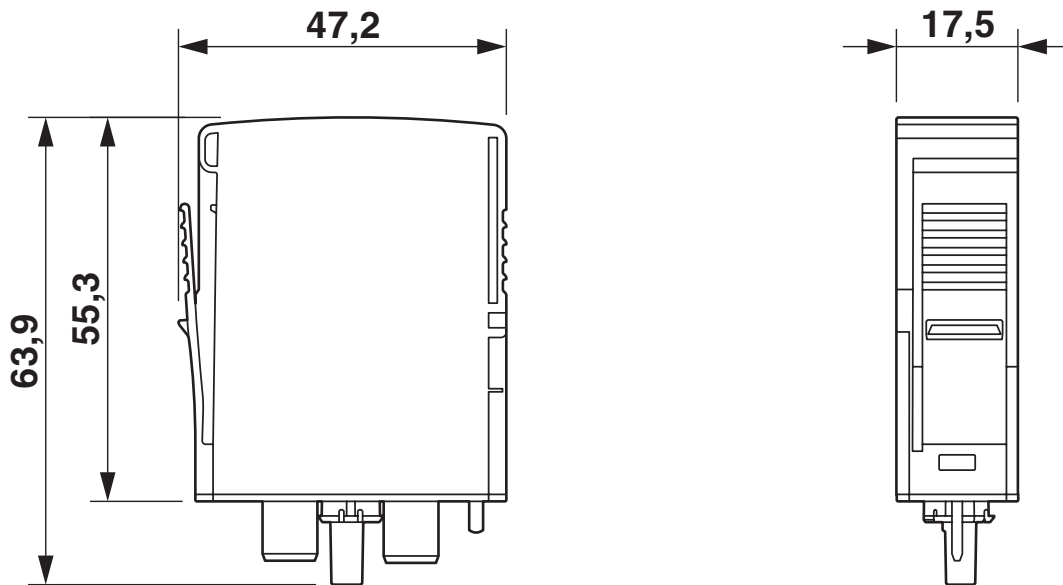


2801146

<https://www.phoenixcontact.com/us/products/2801146>

## Drawings

Dimensional drawing



Circuit diagram



# VAL-MS-T1/T2 75/12.5 ST - Type 1/2 surge protection plug



2801146

<https://www.phoenixcontact.com/us/products/2801146>

## Classifications

### UNSPSC

UNSPSC 21.0	39121600
-------------	----------

# VAL-MS-T1/T2 75/12.5 ST - Type 1/2 surge protection plug



2801146

<https://www.phoenixcontact.com/us/products/2801146>

## Environmental product compliance

### EU RoHS

Fulfills EU RoHS substance requirements	Yes, No exemptions
---	--------------------

### China RoHS

Environment friendly use period (EFUP)	EFUP-E
	No hazardous substances above the limits

### EU REACH SVHC

REACH candidate substance (CAS No.)	No substance above 0.1 wt%
-------------------------------------	----------------------------

Phoenix Contact 2026 © - all rights reserved  
<https://www.phoenixcontact.com>

Phoenix Contact USA  
586 Fulling Mill Road  
Middletown, PA 17057, United States  
(+717) 944-1300  
[info@phoenixcon.com](mailto:info@phoenixcon.com)