

# CN-LAMBDA/4-2.25-BB - Surge protection device



2801057

<https://www.phoenixcontact.com/us/products/2801057>

Please be informed that the data shown in this PDF document is generated from our online catalog. Please find the complete data in the user documentation. Our general terms of use for downloads are valid.

Attachment plug with Lambda/4 technology as surge protection for coaxial signal interfaces.  
Connection: N connectors socket-socket



## Commercial data

Item number	2801057
Packing unit	1 pc
Minimum order quantity	1 pc
Sales key	CL26
Product key	CL3312
GTIN	4046356679091
Weight per piece (including packing)	288.8 g
Weight per piece (excluding packing)	276 g
Customs tariff number	85363010
Country of origin	CN

# CN-LAMBDA/4-2.25-BB - Surge protection device



2801057

<https://www.phoenixcontact.com/us/products/2801057>

## Technical data

### Product properties

Product type	Surge protection for transceiver systems
IEC test classification	C2
	C3
	D1
Type	Intermediate plug
Number of positions	1
Surge protection fault message	none

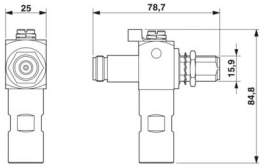
### Insulation characteristics

Overvoltage category	III
Pollution degree	2

### Connection data

Connection method	N connector 50 Ω
Tightening torque	1.5 Nm

### Dimensions

Dimensional drawing	
Width	25 mm
Height	77.5 mm
Length	78.7 mm

### Material specifications

Color	nickel color
	black (RAL 9005)
Housing material	HPb59-1
Housing surface material	Cu-Sn-Zn
Contact surface material	Au
Inner conductor material	QSn6.5-0.1
Inner conductor surface material	Gold
Insulation body material	PTFE
Spring contact material	QSn6.5-0.1

### Mechanical properties

#### Mechanical data

Open side panel	No
-----------------	----

# CN-LAMBDA/4-2.25-BB - Surge protection device



2801057

<https://www.phoenixcontact.com/us/products/2801057>

## Protective circuit

Direction of action	Line-Shield/Earth Ground
Rated current	5 A (25 °C)
Nominal discharge current $I_n$ (8/20) $\mu$ s (line-ground)	50 kA
Nominal discharge current $I_n$ (8/20) $\mu$ s (line-shield)	50 kA
Pulse discharge current $I_{imp}$ (10/350) $\mu$ s	20 kA
Total surge current (8/20) $\mu$ s	60 kA
Total surge current (10/350) $\mu$ s	20 kA
Total discharge current $I_{Total}$ (8/20) $\mu$ s	60 kA
Max. discharge current $I_{max}$ (8/20) $\mu$ s maximum (line-earth)	60 kA
Max. discharge current $I_{max}$ (8/20) $\mu$ s maximum (line-shield)	60 kA
Output voltage limitation at 1 kV/ $\mu$ s (line-earth) spike	$\leq 1$ V
Output voltage limitation at 1 kV/ $\mu$ s (line-shield) spike	$\leq 1$ V
Voltage protection level $U_p$ (line-earth)	$\leq 5$ V (C1 - 1 kV / 500 A)
	$\leq 25$ V (C2 - 10 kV / 5 kA)
	$\leq 18$ V (6 kV / 3 kA)
Voltage protection level $U_p$ (line-shield)	$\leq 5$ V (C1 - 1 kV / 500 A)
	$\leq 25$ V (C2 - 10 kV / 5 kA)
	$\leq 18$ V (6 kV / 3 kA)
Input attenuation aE, asym.	typ. 0.1 dB
Frequency range	0.8 GHz ... 2.25 GHz
Voltage standing wave ratio VSWR in a 50 $\Omega$ system	typ. 1.20
	max. 1.25
Permissible HF power $P_{max}$ at VSWR = xx (50 ohm system)	$\leq 500$ W
	$\leq 4$ kW (peak)
Surge protection fault message	none
Impulse durability (line-earth)	C1 - 1 kV / 500 A
	C2 - 10 kV / 5 kA
	D1 - 2.5 kA

## Environmental and real-life conditions

### Ambient conditions

Degree of protection	IP68
Ambient temperature (operation)	-40 °C ... 85 °C
Altitude	2000 m

## Standards and regulations

### Air clearances and creepage distances

Standards/regulations	IEC 60664-1
Standards/specifications	IEC 61643-21/A1
Note	2008
Standards/specifications	EN 61643-21/A1

# CN-LAMBDA/4-2.25-BB - Surge protection device



2801057

<https://www.phoenixcontact.com/us/products/2801057>

Note	2009
------	------

## Mounting

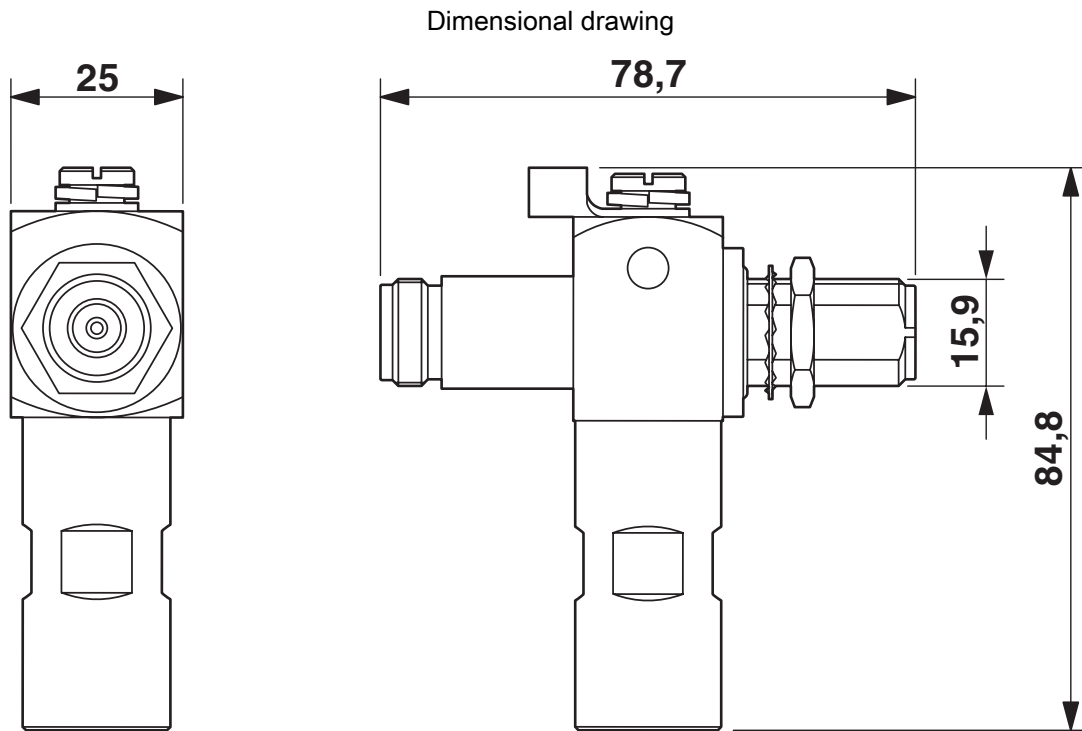
Mounting type	Connection-specific intermediate plugging
---------------	---

# CN-LAMBDA/4-2.25-BB - Surge protection device

2801057

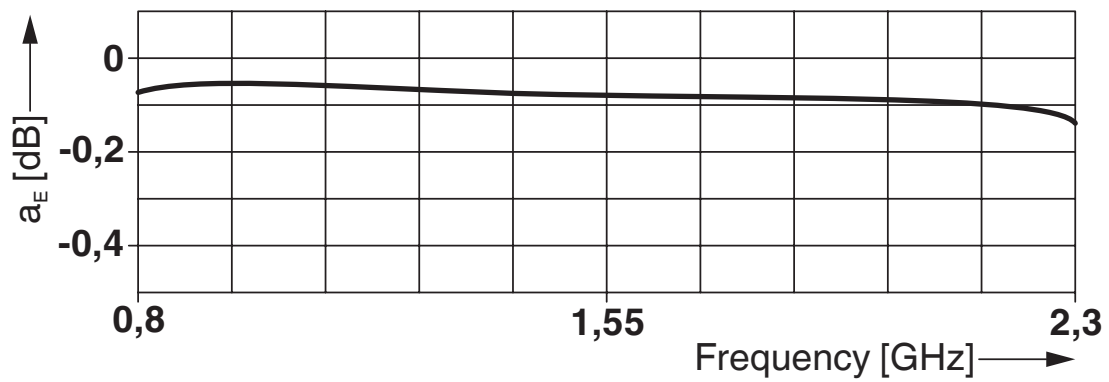
<https://www.phoenixcontact.com/us/products/2801057>

## Drawings



Dimensional drawing  
CN-LAMBDA/4-2.25-BB

## Diagram



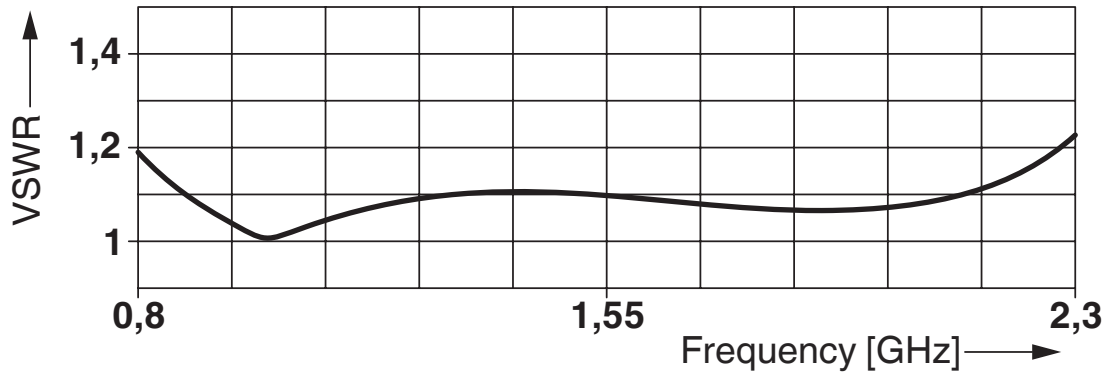
# CN-LAMBDA/4-2.25-BB - Surge protection device



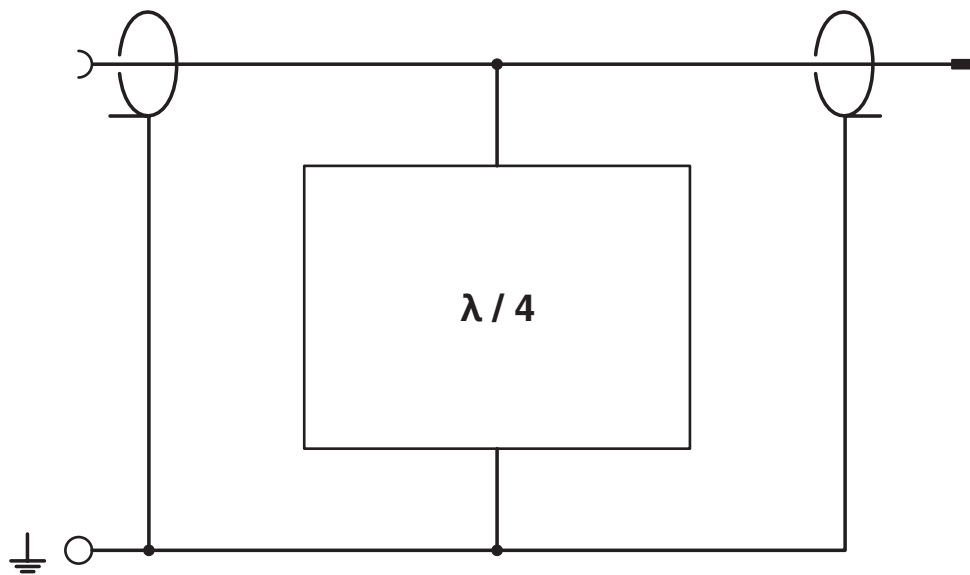
2801057

<https://www.phoenixcontact.com/us/products/2801057>

Diagram



Circuit diagram



Circuit diagram

# CN-LAMBDA/4-2.25-BB - Surge protection device



2801057

<https://www.phoenixcontact.com/us/products/2801057>

## Classifications

### ECLASS

ECLASS-13.0	27171504
ECLASS-15.0	27171504

### ETIM

ETIM 10.0	EC001466
-----------	----------

### UNSPSC

UNSPSC 21.0	39121600
-------------	----------

2801057

<https://www.phoenixcontact.com/us/products/2801057>

## Environmental product compliance

### EU RoHS

Fulfills EU RoHS substance requirements	Yes
Exemption	6(c)

### China RoHS

Environment friendly use period (EFUP)	EFUP-50
	An article-related China RoHS declaration table can be found in the download area for the respective article under "Manufacturer declaration". For all articles with EFUP-E, no China RoHS declaration table issued and required.

### EU REACH SVHC

REACH candidate substance (CAS No.)	Lead(CAS: 7439-92-1)
SCIP	027a74bc-ead0-4399-b642-54b2c92e3b64

### EF3.1 Climate Change

CO2e kg	4.793 kg CO2e
---------	---------------

Phoenix Contact 2026 © - all rights reserved  
<https://www.phoenixcontact.com>

Phoenix Contact USA  
586 Fulling Mill Road  
Middletown, PA 17057, United States  
(+717) 944-1300  
[info@phoenixcon.com](mailto:info@phoenixcon.com)