

GEB-SET-T1/T2 TAE/TV-SAT - Surge protection device set

2801022

<https://www.phoenixcontact.com/us/products/2801022>

Please be informed that the data shown in this PDF document is generated from our online catalog. Please find the complete data in the user documentation. Our general terms of use for downloads are valid.



Extended surge protection equipment, including lightning/surge arresters for building installation. Arrester set with protective devices for the power supply, analog telecommunications devices, and TV/TV-SAT antenna, including accessories.

Commercial data

Item number	2801022
Packing unit	1 pc
Minimum order quantity	1 pc
Product key	CL1512
GTIN	4046356673570
Weight per piece (including packing)	1,430.5 g
Weight per piece (excluding packing)	1,430.5 g
Country of origin	DE

GEB-SET-T1/T2 TAE/TV-SAT - Surge protection device set



2801022

<https://www.phoenixcontact.com/us/products/2801022>

Set consists of

VAL-MS-T1/T2 335/12.5/3+1 - Lightning/surge arrester type 1/2

2800184

<https://www.phoenixcontact.com/us/products/2800184>



Universal varistor-based plug-in lightning/surge arrester for 3-phase power supply networks with separate N and PE (5-conductor system: L1, L2, L3, N, PE), for Lightning Protection Levels III and IV.

MNT-1 D - Type 3 surge protection device

2882200

<https://www.phoenixcontact.com/us/products/2882200>



Attachment plug with surge protection for mains sockets, optical power and error display. For country-specific use in: D, A, I, NL, S, E, N, FIN

GEB-SET-T1/T2 TAE/TV-SAT - Surge protection device set



2801022

<https://www.phoenixcontact.com/us/products/2801022>

MNT-TAE D - Type 3 surge protection device

2882381

<https://www.phoenixcontact.com/us/products/2882381>

Socket attachment plug with surge protection for the power supply and signal connection of an end device with analog or digital telecommunications interface (VDSL up to 50 Mbps, on short paths (< 300 m) up to 80 Mbps). Cable is included.



MNT-TV-SAT D - Type 3 surge protection device

2882284

<https://www.phoenixcontact.com/us/products/2882284>

Socket attachment plug with surge protection for the power supply unit and signal connection for radio and television equipment (cable, terrestrial antenna, satellite system). Cable is provided.



GEB-SET-T1/T2 TAE/TV-SAT - Surge protection device set



2801022

<https://www.phoenixcontact.com/us/products/2801022>

Technical data

Product properties

Product type

Building set

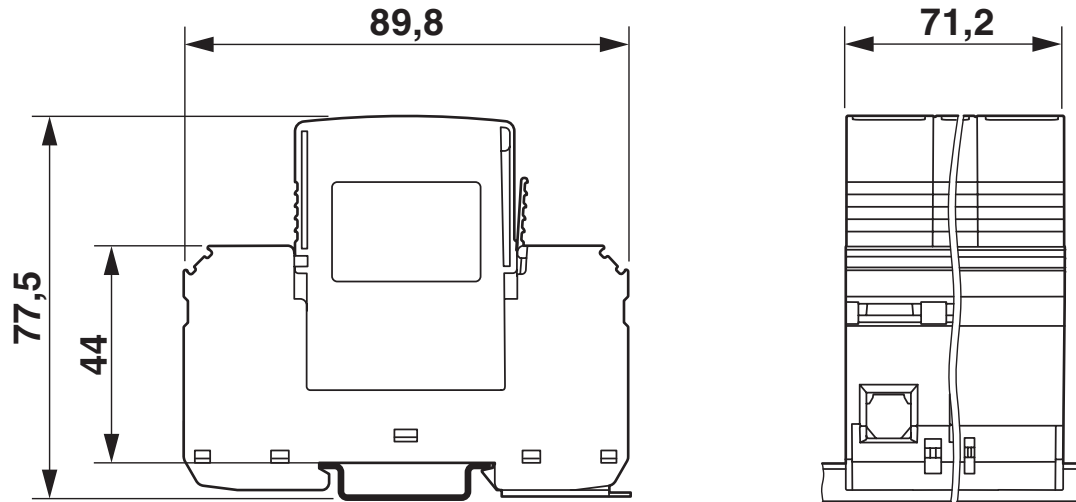
GEB-SET-T1/T2 TAE/TV-SAT - Surge protection device set

2801022

<https://www.phoenixcontact.com/us/products/2801022>

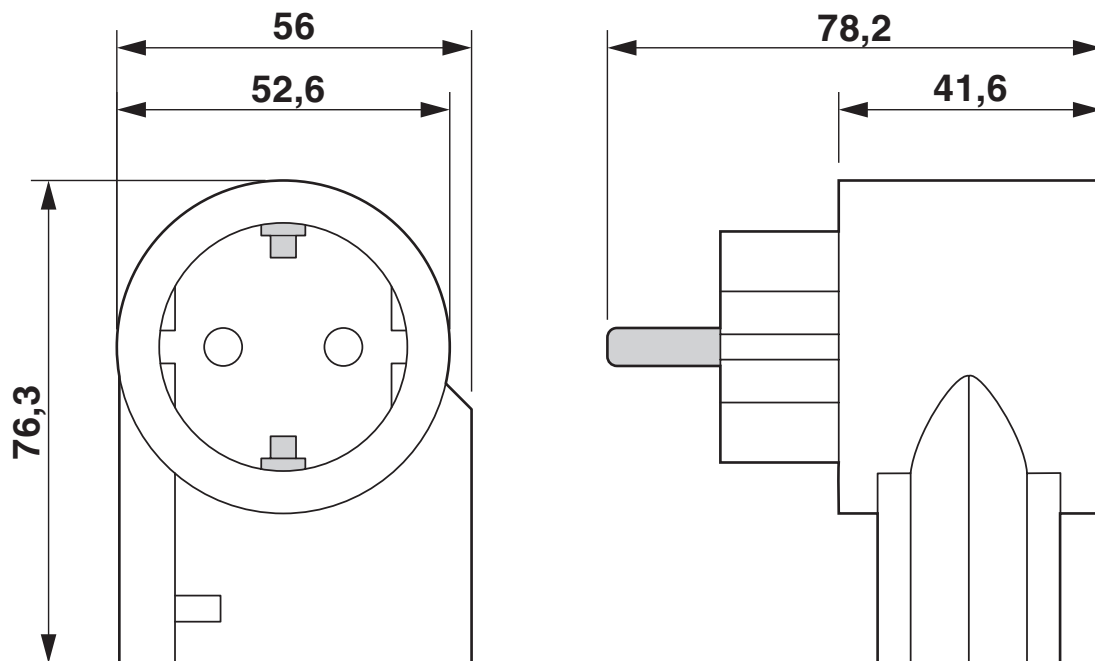
Drawings

Dimensional drawing



Dimensional drawing VAL-MS-T1/T2 335/12.5/3+1

Dimensional drawing



Dimensional drawing MNT-1 D

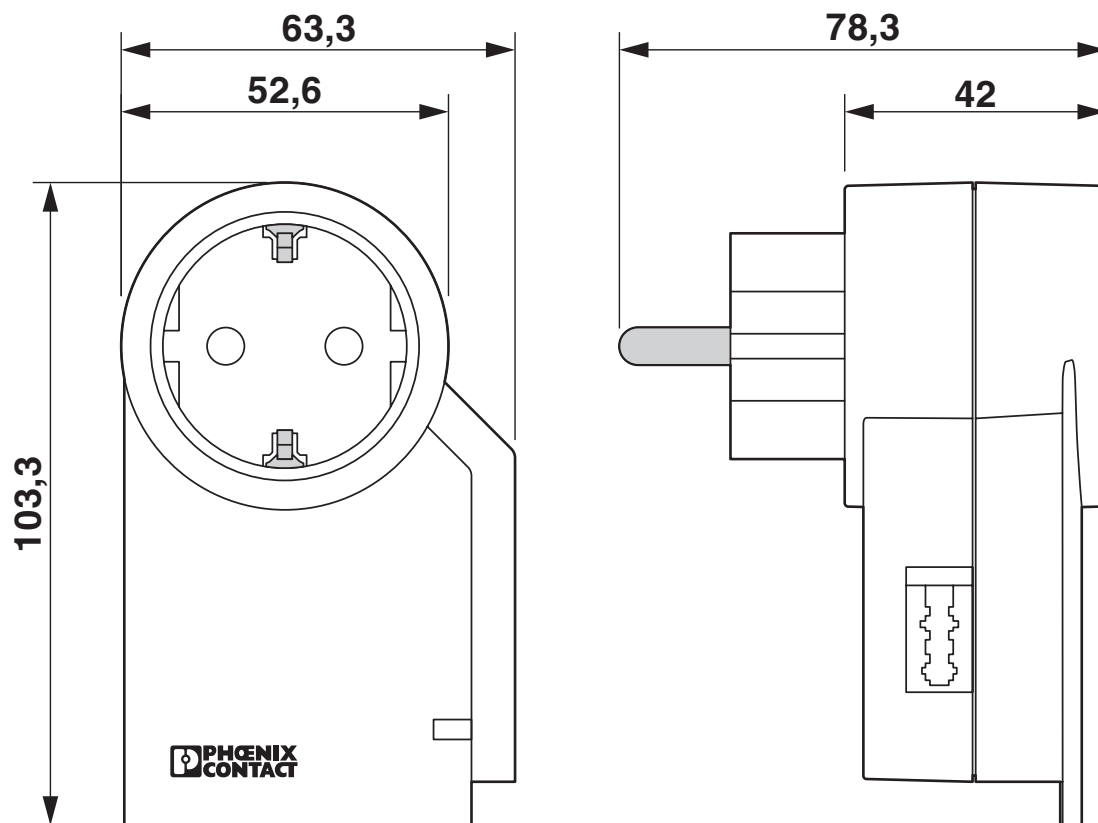
GEB-SET-T1/T2 TAE/TV-SAT - Surge protection device set



2801022

<https://www.phoenixcontact.com/us/products/2801022>

Dimensional drawing



Dimensional drawing MNT-TAE D

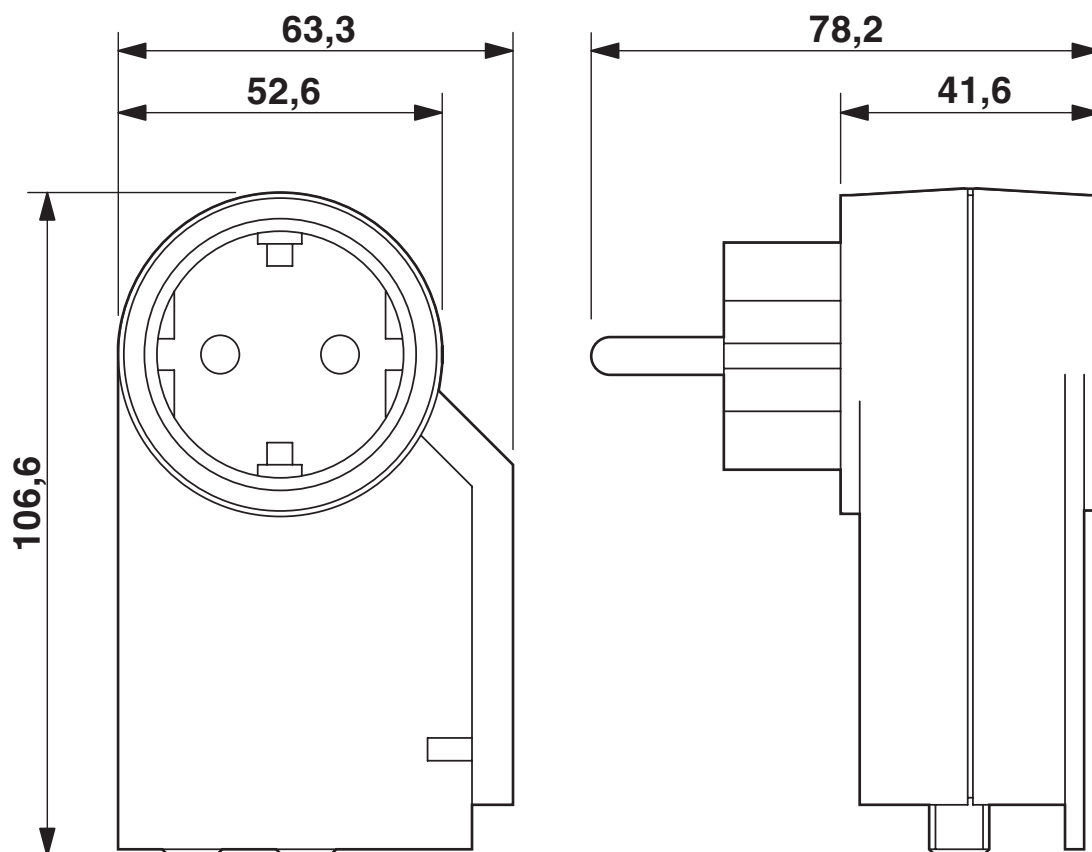
GEB-SET-T1/T2 TAE/TV-SAT - Surge protection device set



2801022

<https://www.phoenixcontact.com/us/products/2801022>

Dimensional drawing



Dimensional drawing MNT-TV-SAT D

GEB-SET-T1/T2 TAE/TV-SAT - Surge protection device set



2801022

<https://www.phoenixcontact.com/us/products/2801022>

Environmental product compliance

EU REACH SVHC

REACH candidate substance (CAS No.)	
-------------------------------------	--

	No substance above 0.1 wt%
--	----------------------------

Phoenix Contact 2026 © - all rights reserved

<https://www.phoenixcontact.com>

Phoenix Contact USA
586 Fulling Mill Road
Middletown, PA 17057, United States
(+717) 944-1300
info@phoenixcon.com