

PV-SET 2ST/1000DC/32A-2MPP-SC - Surge protection device set



2800993

<https://www.phoenixcontact.com/us/products/2800993>

Please be informed that the data shown in this PDF document is generated from our online catalog. Please find the complete data in the user documentation. Our general terms of use for downloads are valid.



Surge protection in IP65 housing for the DC side of an inverter with two MPP trackers up to 1000 V DC, connection via SUNCLIX plug/socket, plug-in varistors with thermal disconnect device between L+, L-, and ground/PE.

Commercial data

Item number	2800993
Packing unit	1 pc
Minimum order quantity	1 pc
Product key	CL1341
GTIN	4046356667937
Weight per piece (including packing)	2,000 g
Weight per piece (excluding packing)	2,000 g
Country of origin	DE

PV-SET 2ST/1000DC/32A-2MPP-SC - Surge protection device set



2800993

<https://www.phoenixcontact.com/us/products/2800993>

Technical data

Product properties

IEC test classification	PV T2
Type	Installation housing
Distance between live and grounded parts	8 mm
Surge protection fault message	optical

Insulation characteristics

Protection class	II
Overvoltage category	III
Pollution degree	2

Electrical properties

Nominal current I_N	25 A DC (per MPP)
-----------------------	-------------------

Indicator/remote signaling

Switching function	Changeover contact, 1-pos.
Operating voltage	5 V AC ... 250 V AC
	30 V DC
Operating current	5 mA AC ... 1.5 A
	1.5 A DC

Connection data

PE

Connection method	Screw terminal blocks
Screw thread	M5
Tightening torque, min	4.5 Nm
Tightening torque	30 lb _F -in. (UL)
Stripping length	16 mm
Connection method	MC 1,5/3
Screw thread	M2
Tightening torque, min	0.25 Nm
Tightening torque	2 lb _F -in. ... 4 lb _F -in.
Stripping length	7 mm
Conductor cross-section flexible min.	0.14 mm ²
Conductor cross-section flexible max.	1.5 mm ²
Conductor cross-section, rigid min.	0.14 mm ²
Conductor cross-section, rigid max.	1.5 mm ²

Dimensions

Width	200 mm
-------	--------

PV-SET 2ST/1000DC/32A-2MPP-SC - Surge protection device set



2800993

<https://www.phoenixcontact.com/us/products/2800993>

Height	200 mm
Depth	122 mm
Horizontal pitch	9 Div.

Material specifications

Flammability rating according to UL 94	V2 (Gehäuse / Deckel)
	V0 (Steckverbinder)
Cover material	Polycarbonate, transparent
Housing material	Polycarbonate, glass-fiber-reinforced
Connector material	PA

Protective circuit

Direction of action	(L+)-PE & (L-)-PE & (L+)-(L-)
Maximum continuous operating voltage U_C	1000 V DC
Rated load current I_L	≤ 80 A DC
Protective conductor current I_{PE}	≤ 20 μ A
	≤ 250 μ A AC
Standby power consumption P_C	≤ 20 mW
Nominal discharge current I_n (8/20) μ s (L+) - (L-)	15 kA
Nominal discharge current I_n (8/20) μ s (L-) - PE	15 kA
Maximum discharge current I_{max} (8/20) μ s (L+) - (L-)	40 kA
Total discharge current I_{Total} (8/20) μ s	40 kA
Voltage protection level U_p (L+) - (L-)	≤ 3.7 kV
Voltage protection level U_p (L+) - PE	≤ 3.7 kV
Voltage protection level U_p (L-) - PE	≤ 3.7 kV
Residual voltage U_{res} (L+) - (L-)	≤ 3.7 kV (at I_n)
	≤ 3.1 kV (at 5 kA)
	≤ 3.5 kV (at 10 kA)
	≤ 4 kV (at 20 kA)
	≤ 4.6 kV (at 30 kA)
	≤ 5 kV (at 40 kA)
Residual voltage U_{res} (L+) - PE	≤ 3.7 kV (at I_n)
	≤ 3.1 kV (at 5 kA)
	≤ 3.5 kV (at 10 kA)
	≤ 4 kV (at 20 kA)
	≤ 4.6 kV (at 30 kA)
	≤ 5 kV (at 40 kA)
Residual voltage U_{res} (L-) - PE	≤ 3.7 kV (at I_n)
	≤ 3.1 kV (at 5 kA)
	≤ 3.5 kV (at 10 kA)
	≤ 4 kV (at 20 kA)
	≤ 4.6 kV (at 30 kA)
	≤ 5 kV (at 40 kA)

PV-SET 2ST/1000DC/32A-2MPP-SC - Surge protection device set



2800993

<https://www.phoenixcontact.com/us/products/2800993>

Response time t_A (L+) - (L-)	≤ 25 ns
Response time t_A (L+) - PE	≤ 25 ns
Response time t_A (L-) - PE	≤ 25 ns
Max. backup fuse with branch wiring	not required

Protective circuit DC voltage side (DC)

Rated surge voltage resistance U_{imp}	6 kV
Short-circuit current I_{SCSTC}	25 A DC (per MPP)
Open-circuit voltage U_{OCSTC}	830 V DC (Solar generator)
Maximum discharge current I_{max} (8/20) μ s (L+) - (L-)	40 kA
Maximum discharge current I_{max} (8/20) μ s (L-) - PE	40 kA
Maximum discharge current I_{max} (8/20) μ s (L+) - PE	40 kA
Response time t_A (L+) - (L-)	≤ 25 ns
Response time t_A (L+) - PE	≤ 25 ns
Response time t_A (L-) - PE	≤ 25 ns
Recommended backup fuse maximum	not required
Total discharge current I_{Total} (8/20) μ s	40 kA
Insulation resistance R_{iso}	> 5 G Ω (at 500 V DC)
Max. backup fuse with branch wiring	not required
Nominal discharge current I_n (8/20) μ s (L+) - (L-)	15 kA
Nominal discharge current I_n (8/20) μ s (L+) - PE	15 kA
Nominal discharge current I_n (8/20) μ s (L-) - PE	15 kA
Rated load current I_L	≤ 80 A DC
Residual voltage U_{res} (L+) - (L-)	≤ 3.7 kV (at I_n)
	≤ 3.1 kV (at 5 kA)
	≤ 3.5 kV (at 10 kA)
	≤ 4 kV (at 20 kA)
	≤ 4.6 kV (at 30 kA)
	≤ 5 kV (at 40 kA)
Residual voltage U_{res} (L+) - PE	≤ 3.7 kV (at I_n)
	≤ 3.1 kV (at 5 kA)
	≤ 3.5 kV (at 10 kA)
	≤ 4 kV (at 20 kA)
	≤ 4.6 kV (at 30 kA)
	≤ 5 kV (at 40 kA)
Residual voltage U_{res} (L-) - PE	≤ 3.7 kV (at I_n)
	≤ 3.1 kV (at 5 kA)
	≤ 3.5 kV (at 10 kA)
	≤ 4 kV (at 20 kA)
	≤ 4.6 kV (at 30 kA)
	≤ 5 kV (at 40 kA)
Protective conductor current I_{PE}	≤ 20 μ A
	≤ 250 μ A AC

PV-SET 2ST/1000DC/32A-2MPP-SC - Surge protection device set



2800993

<https://www.phoenixcontact.com/us/products/2800993>

Voltage protection level U_p (L+) - (L-)	≤ 3.7 kV
Voltage protection level U_p (L+) - PE	≤ 3.7 kV
Voltage protection level U_p (L-) - PE	≤ 3.7 kV
Standby power consumption P_C	≤ 20 mW

Environmental and real-life conditions

Ambient conditions

Degree of protection	IP65
	IP65
Impact strength	IK08
Ambient conditions	A, B
Ambient temperature (operation)	-30 °C ... 55 °C

Standards and regulations

Air clearances and creepage distances

Standards/regulations	EN 50539-11
Standards/specifications	IEC 61439-2
Note	2011
Standards/specifications	EN 61439-2
Note	2011
Standards/specifications	EN 50539-11
Note	Surge protection

Mounting

Mounting type	Surface/Panel mounting
---------------	------------------------

PV-SET 2ST/1000DC/32A-2MPP-SC - Surge protection device set

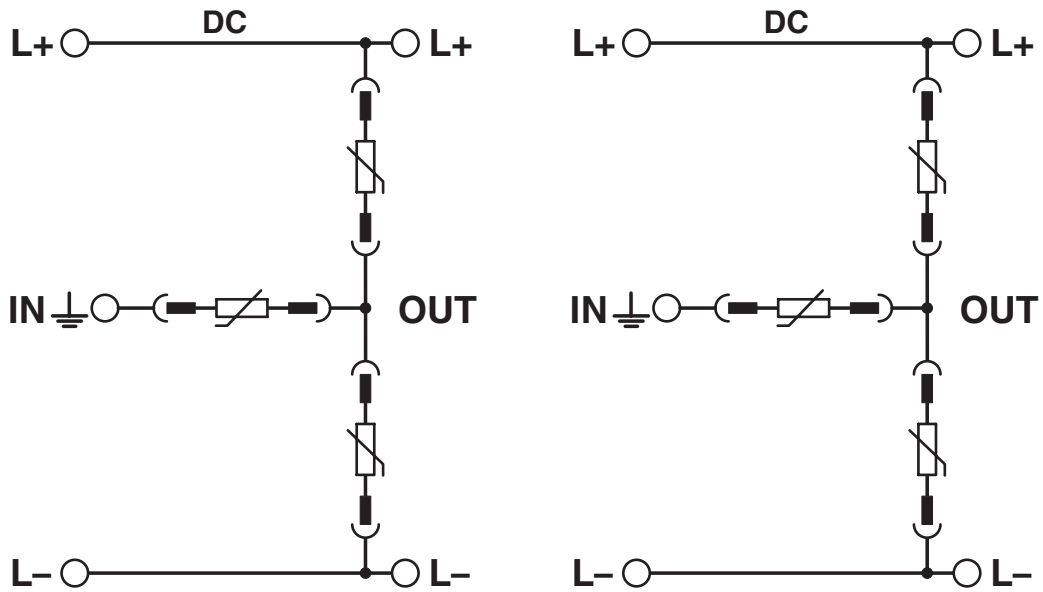


2800993

<https://www.phoenixcontact.com/us/products/2800993>

Drawings

Circuit diagram



PV-SET 2ST/1000DC/32A-2MPP-SC - Surge protection device set



2800993

<https://www.phoenixcontact.com/us/products/2800993>

Environmental product compliance

EU REACH SVHC

REACH candidate substance (CAS No.)	
-------------------------------------	--

	No substance above 0.1 wt%
--	----------------------------

Phoenix Contact 2026 © - all rights reserved
<https://www.phoenixcontact.com>

Phoenix Contact USA
586 Fulling Mill Road
Middletown, PA 17057, United States
(+717) 944-1300
info@phoenixcon.com