

CB E1 24DC/6A S-R P - Electronic circuit breaker



2800912

<https://www.phoenixcontact.com/us/products/2800912>

Please be informed that the data shown in this PDF document is generated from our online catalog. Please find the complete data in the user documentation. Our general terms of use for downloads are valid.



Electronic circuit breaker, 1-pos., active current limitation, status output and reset input, plug for base element.

Your advantages

- Individually adjustable with protective plugs
- Protective plug with fixed nominal current value as protection against unintentional changes
- Active current limitation to improve the capacity of the upstream power supply
- Remote reconnection with the reset function
- Increased system transparency with integrated remote message function

Commercial data

| | |
|--------------------------------------|---------------|
| Item number | 2800912 |
| Packing unit | 1 pc |
| Minimum order quantity | 1 pc |
| Sales key | CL04 |
| Product key | CLA134 |
| GTIN | 4046356690997 |
| Weight per piece (including packing) | 35.1 g |
| Weight per piece (excluding packing) | 35.1 g |
| Customs tariff number | 85362010 |
| Country of origin | DE |

Technical data

Product properties

| | |
|---------------------|-------------------------|
| Product type | Device circuit breakers |
| Product family | CB E |
| Type | Male |
| Number of positions | 1 |
| No. of channels | 1 |

Insulation characteristics

| | |
|---------------------|---|
| Degree of pollution | 2 |
|---------------------|---|

Electrical properties

| | |
|---|-----|
| Maximum load current | 6 A |
| Maximum current with single arrangement | 6 A |

General

| | |
|------------------------------|---|
| Operating voltage | 24 V DC |
| | 18 V DC ... 30 V DC |
| Nominal current I_N | 6 A |
| Rated surge voltage | 0.5 kV |
| Tripping method | E (electronic) |
| Required backup fuse | not required, integrated failsafe element |
| Dielectric strength | max. 30 V DC (Load circuit) |
| Active current limitation | typ. $1.25 \times I_N$ |
| Fuse | electronic |
| Closed circuit current I_0 | typ. 8 mA (When switched on) |
| | typ. 11 mA (With status output) |
| Power dissipation | 1.04 W (Nominal operation) |
| Temperature derating | 5 A (at 50 °C) |
| MTBF (IEC 61709, SN 29500) | 8320000 h (at 25 °C with 80 % load) |
| | 7410000 h (at 40 °C with 80 % load) |
| Voltage drop | 130 mV (at I_N) |
| Fail-safe element | 10 A DC |
| Contact switching type | without electrical isolation |

Load circuit

| | |
|-------------------------|--|
| Shutdown time | 130 ms (see time/current characteristic curve) |
| Undervoltage switch-off | < 14 V (typ. OFF) |
| | > 17 V (typ. ON) |
| Max. capacitive load | 20000 μ F |
| Switch-on delay | typ. 2 ms |

Auxiliary contact

| | |
|-------------------------|----------------------------------|
| Contact connection type | Positive-switching signal output |
|-------------------------|----------------------------------|

CB E1 24DC/6A S-R P - Electronic circuit breaker



2800912

<https://www.phoenixcontact.com/us/products/2800912>

Reset

| | |
|---------------------|---|
| Input voltage range | 7 V DC ... 30 V DC (Reset with falling edge) |
| Current consumption | typ. 2.6 mA (at 24 V DC) |
| Pulse length | min. 20 ms |
| Voltage | < 3 V DC (Low state) > 8 V DC (High state) |

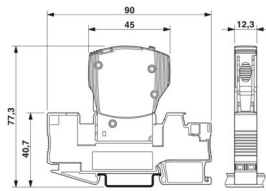
Status output

| | |
|----------------|----------------------------------|
| Output voltage | 24 V DC |
| Output current | max. 0.2 A (Short-circuit-proof) |

Connection data

| | |
|----------------------|-----------|
| Maximum load current | 6 A |
| Connection method | pluggable |

Dimensions

| | |
|------------------------|--|
| Dimensional drawing |  |
| Width | 12.3 mm |
| Height | 45 mm |
| Depth | 52 mm |
| Complete module width | 12.3 mm |
| Complete module height | 90 mm |
| Complete module depth | 77.3 mm |

Material specifications

| | |
|--|-------------------------------------|
| Color | gray (RAL 7042) black (RAL 9005) |
| Flammability rating according to UL 94 | V-0 |

Environmental and real-life conditions

Ambient conditions

| | |
|---|--|
| Degree of protection | IP30 (Actuation area) |
| Ambient temperature (operation) | -25 °C ... 50 °C (non-condensing) |
| Ambient temperature (storage/transport) | -40 °C ... 70 °C |
| Humidity test | 96 h, 95 % RH, 40 °C |
| Vibration (operation) | 3g (according to IEC 60068-2-6, Test Fc) |

Approvals

CB E1 24DC/6A S-R P - Electronic circuit breaker



2800912

<https://www.phoenixcontact.com/us/products/2800912>

UL approval

| | |
|----------------|-----------------------|
| Identification | UL Listed UL 508 |
| | UL Recognized UL 2367 |

Shipbuilding approval

| | |
|----------------|--------|
| Identification | DNV GL |
|----------------|--------|

Standards and regulations

| | |
|--------------------------|-----------------------|
| Standard designation | EMV |
| Standards/specifications | EN 61000-6-3 |
| Note | Interference emission |
| Standard designation | EMV |
| Standards/specifications | EN 61000-6-2 |
| Note | Noise immunity |

Mounting

| | |
|---------------|-----------------|
| Mounting type | on base element |
|---------------|-----------------|

CB E1 24DC/6A S-R P - Electronic circuit breaker



2800912

<https://www.phoenixcontact.com/us/products/2800912>

Drawings



The figure shows the complete module consisting of a base element and connector

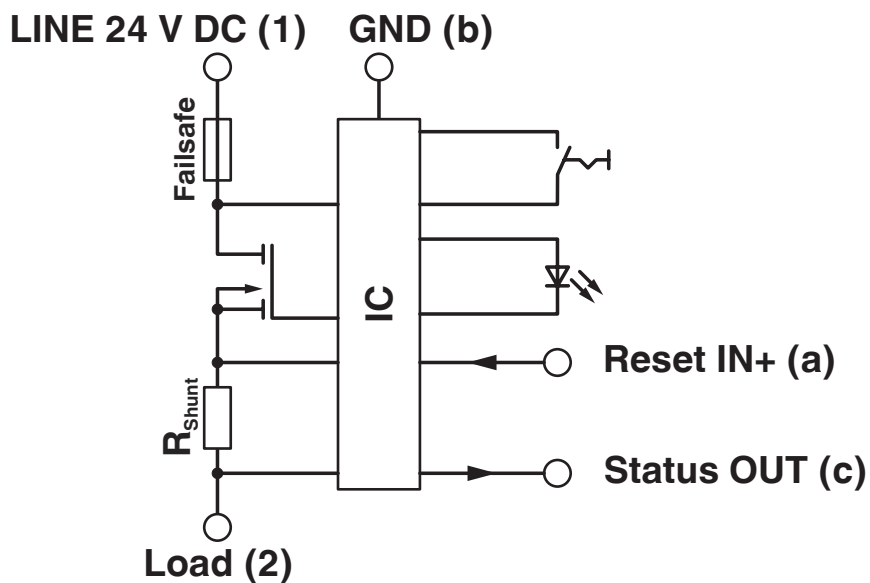


Diagram



Trigger characteristic

Circuit diagram



CB E1 24DC/6A S-R P - Electronic circuit breaker



2800912

<https://www.phoenixcontact.com/us/products/2800912>

Approvals

To download certificates, visit the product detail page: <https://www.phoenixcontact.com/us/products/2800912>



UL Recognized

Approval ID: FILE E 317172



DNV GL

Approval ID: TAE00003KA



cULus Listed

Approval ID: E123528

CB E1 24DC/6A S-R P - Electronic circuit breaker



2800912

<https://www.phoenixcontact.com/us/products/2800912>

Classifications

ECLASS

| | |
|-------------|----------|
| ECLASS-13.0 | 27140401 |
| ECLASS-15.0 | 27140401 |

ETIM

| | |
|-----------|----------|
| ETIM 10.0 | EC003538 |
|-----------|----------|

UNSPSC

| | |
|-------------|----------|
| UNSPSC 21.0 | 39121400 |
|-------------|----------|

2800912

<https://www.phoenixcontact.com/us/products/2800912>

Environmental product compliance

EU RoHS

| | |
|---|--------------|
| Fulfills EU RoHS substance requirements | Yes |
| Exemption | 7(a), 7(c)-I |

China RoHS

| | |
|--|---|
| Environment friendly use period (EFUP) | EFUP-25 |
| | An article-related China RoHS declaration table can be found in the download area for the respective article under "Manufacturer declaration". For all articles with EFUP-E, no China RoHS declaration table issued and required. |

EU REACH SVHC

| | |
|-------------------------------------|--------------------------------------|
| REACH candidate substance (CAS No.) | Lead(CAS: 7439-92-1) |
| SCIP | b50a4632-2c1e-4bb0-a75c-5efda1afec5e |

EF3.1 Climate Change

| | |
|---------|---------------|
| CO2e kg | 2.703 kg CO2e |
|---------|---------------|

Phoenix Contact 2026 © - all rights reserved
<https://www.phoenixcontact.com>

Phoenix Contact USA
586 Fulling Mill Road
Middletown, PA 17057, United States
(+717) 944-1300
info@phoenixcon.com