

CB E1 24DC/2A S-R P - Electronic circuit breaker



2800909

<https://www.phoenixcontact.com/us/products/2800909>

Please be informed that the data shown in this PDF document is generated from our online catalog. Please find the complete data in the user documentation. Our general terms of use for downloads are valid.



Electronic circuit breaker, 1-pos., active current limitation, status output and reset input, plug for base element.

Your advantages

- Individually adjustable with protective plugs
- Protective plug with fixed nominal current value as protection against unintentional changes
- Active current limitation to improve the capacity of the upstream power supply
- Remote reconnection with the reset function
- Increased system transparency with integrated remote message function

Commercial data

Item number	2800909
Packing unit	1 pc
Minimum order quantity	1 pc
Sales key	CL04
Product key	CLA134
GTIN	4046356690867
Weight per piece (including packing)	34.67 g
Weight per piece (excluding packing)	34.6 g
Customs tariff number	85362010
Country of origin	DE

CB E1 24DC/2A S-R P - Electronic circuit breaker



2800909

<https://www.phoenixcontact.com/us/products/2800909>

Technical data

Product properties

Product type	Device circuit breakers
Product family	CB E
Type	Male
Number of positions	1
No. of channels	1

Insulation characteristics

Degree of pollution	2
---------------------	---

Electrical properties

General

Operating voltage	24 V DC
	18 V DC ... 30 V DC
Nominal current I_N	2 A
Rated surge voltage	0.5 kV
Tripping method	E (electronic)
Required backup fuse	not required, integrated failsafe element
Dielectric strength	max. 30 V DC (Load circuit)
Active current limitation	typ. $1.25 \times I_N$
Fuse	electronic
Closed circuit current I_0	typ. 8 mA (When switched on)
	typ. 11 mA (With status output)
Power dissipation	0.46 W (Nominal operation)
Temperature derating	2 A (at 50 °C)
MTBF (IEC 61709, SN 29500)	8320000 h (at 25 °C with 80 % load)
	7410000 h (at 40 °C with 80 % load)
Voltage drop	100 mV (at I_N)
Fail-safe element	4 A DC
Contact switching type	without electrical isolation

Load circuit

Shutdown time	400 ms (see time/current characteristic curve)
Undervoltage switch-off	< 14 V (typ. OFF)
	> 17 V (typ. ON)
Max. capacitive load	20000 μ F
Switch-on delay	typ. 2 ms

Auxiliary contact

Contact connection type	Positive-switching signal output
-------------------------	----------------------------------

Reset

Input voltage range	7 V DC ... 30 V DC (Reset with falling edge)
---------------------	--

CB E1 24DC/2A S-R P - Electronic circuit breaker



2800909

<https://www.phoenixcontact.com/us/products/2800909>

Current consumption	typ. 2.6 mA (at 24 V DC)
Pulse length	min. 20 ms
Voltage	< 3 V DC (Low state)
	> 8 V DC (High state)

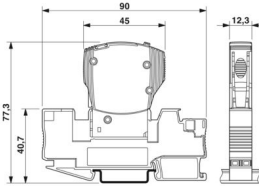
Status output

Output voltage	24 V DC
Output current	max. 0.2 A (Short-circuit-proof)

Connection data

Connection method	pluggable
-------------------	-----------

Dimensions

Dimensional drawing	
Width	12.3 mm
Height	45 mm
Depth	52 mm
Complete module width	12.3 mm
Complete module height	90 mm
Complete module depth	77.3 mm

Material specifications

Color	gray (RAL 7042)
	black (RAL 9005)
Flammability rating according to UL 94	V-0

Environmental and real-life conditions

Ambient conditions

Degree of protection	IP30 (Actuation area)
Ambient temperature (operation)	-25 °C ... 50 °C (non-condensing)
Ambient temperature (storage/transport)	-40 °C ... 70 °C
Humidity test	96 h, 95 % RH, 40 °C
Vibration (operation)	3g (according to IEC 60068-2-6, Test Fc)

Approvals

UL approval

Identification	UL Listed UL 508
	UL Recognized UL 2367

CB E1 24DC/2A S-R P - Electronic circuit breaker



2800909

<https://www.phoenixcontact.com/us/products/2800909>

Shipbuilding approval

Identification	DNV GL
----------------	--------

Standards and regulations

Standard designation	EMV
Standards/specifications	EN 61000-6-3
Note	Interference emission
Standard designation	EMV
Standards/specifications	EN 61000-6-2
Note	Noise immunity

Mounting

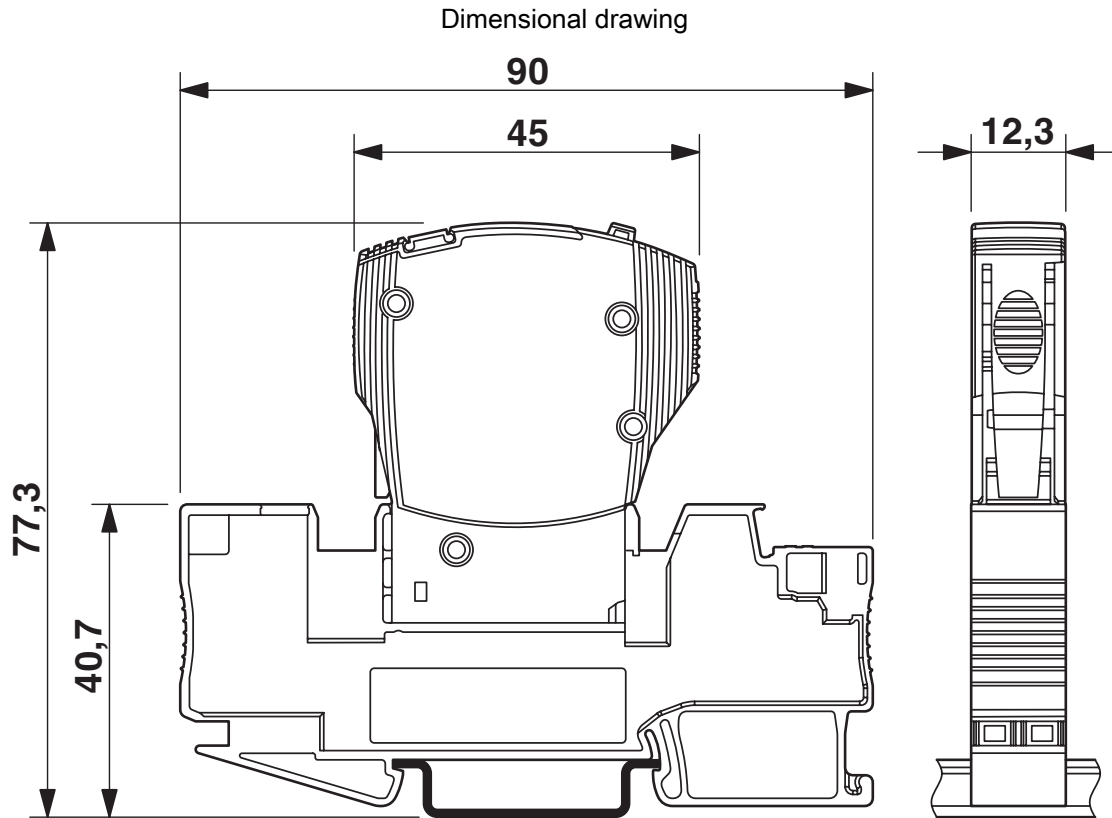
Mounting type	on base element
---------------	-----------------

CB E1 24DC/2A S-R P - Electronic circuit breaker

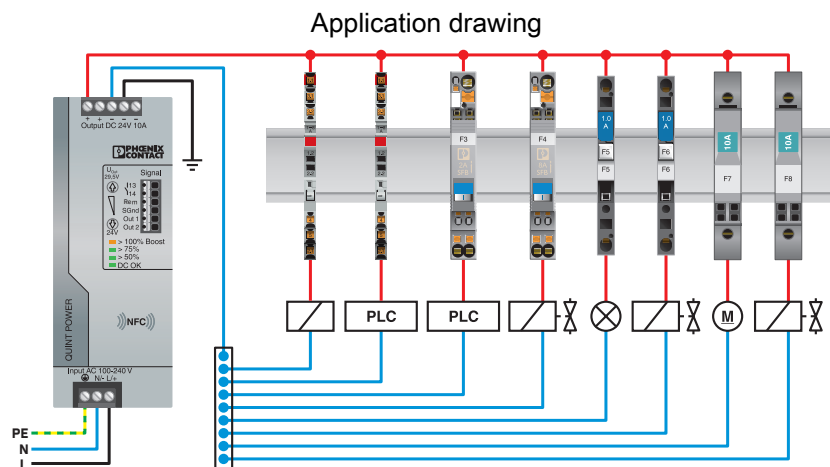
2800909

<https://www.phoenixcontact.com/us/products/2800909>

Drawings



The figure shows the complete module consisting of a base element and connector

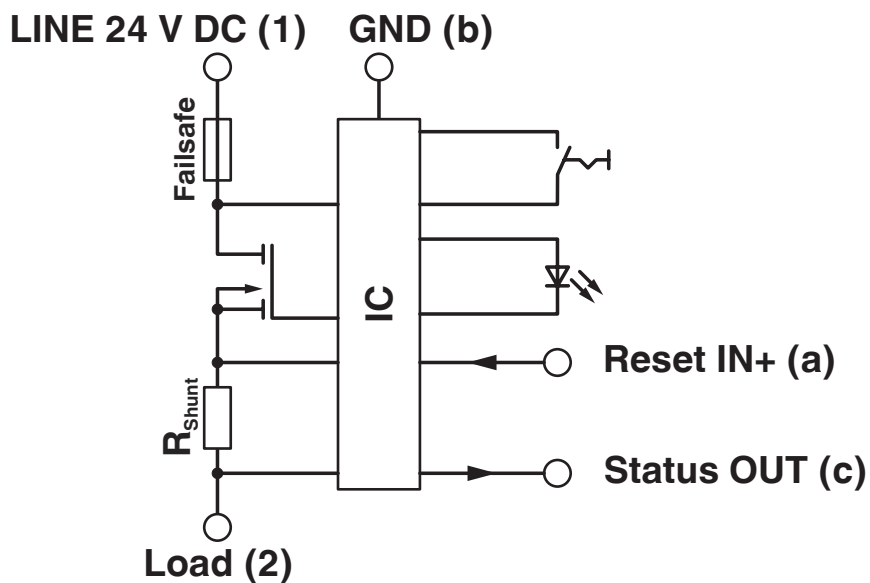


Diagram



Trigger characteristic

Circuit diagram



CB E1 24DC/2A S-R P - Electronic circuit breaker



2800909

<https://www.phoenixcontact.com/us/products/2800909>

Approvals

To download certificates, visit the product detail page: <https://www.phoenixcontact.com/us/products/2800909>



UL Recognized

Approval ID: FILE E 317172



DNV GL

Approval ID: TAE00003KA



cULus Listed

Approval ID: E123528

CB E1 24DC/2A S-R P - Electronic circuit breaker



2800909

<https://www.phoenixcontact.com/us/products/2800909>

Classifications

ECLASS

ECLASS-13.0	27140401
ECLASS-15.0	27140401

ETIM

ETIM 10.0	EC003538
-----------	----------

UNSPSC

UNSPSC 21.0	39121400
-------------	----------

2800909

<https://www.phoenixcontact.com/us/products/2800909>

Environmental product compliance

EU RoHS

Fulfills EU RoHS substance requirements	Yes
Exemption	7(a), 7(c)-I

China RoHS

Environment friendly use period (EFUP)	EFUP-25
	An article-related China RoHS declaration table can be found in the download area for the respective article under "Manufacturer declaration". For all articles with EFUP-E, no China RoHS declaration table issued and required.

EU REACH SVHC

REACH candidate substance (CAS No.)	Lead(CAS: 7439-92-1)
SCIP	5f91123c-2dbb-4aba-9e3b-3f6a179d0d4b

EF3.1 Climate Change

CO2e kg	2.755 kg CO2e
---------	---------------

Phoenix Contact 2026 © - all rights reserved
<https://www.phoenixcontact.com>

Phoenix Contact USA
 586 Fulling Mill Road
 Middletown, PA 17057, United States
 (+717) 944-1300
info@phoenixcon.com