

# CB E1 24DC/2A NO P - Electronic circuit breaker



2800902

<https://www.phoenixcontact.com/us/products/2800902>

Please be informed that the data shown in this PDF document is generated from our online catalog. Please find the complete data in the user documentation. Our general terms of use for downloads are valid.

Electronic circuit breaker, 1-pos., active current limitation, 1 N/O contact, plug for base element.



## Your advantages

- Individually adjustable with protective plugs
- Protective plug with fixed nominal current value as protection against unintentional changes
- Active current limitation to improve the capacity of the upstream power supply
- Increased system transparency with integrated remote message function

## Commercial data

Item number	2800902
Packing unit	1 pc
Minimum order quantity	1 pc
Sales key	CL04
Product key	CLA134
GTIN	4046356690720
Weight per piece (including packing)	35.2 g
Weight per piece (excluding packing)	21.19 g
Customs tariff number	85362010
Country of origin	DE

# CB E1 24DC/2A NO P - Electronic circuit breaker



2800902

<https://www.phoenixcontact.com/us/products/2800902>

## Technical data

### Notes

General	When mounted in rows without convection cooling, the nominal device current should only be led to a maximum of 80% due to the thermal effect during continuous operation (100% operating factor). Special precautionary measures must be taken in systems or machines, to prevent components from restarting (e.g., use of a safety PLC). Parallel connection of multiple circuit breakers is not permitted.
---------	--

### Product properties

Product type	Device circuit breakers
Product family	CB E
Type	Male
Number of positions	1
No. of channels	1

### Insulation characteristics

Pollution degree	2
------------------	---

### Electrical properties

#### General

Operating voltage	24 V DC
	18 V DC ... 30 V DC
Nominal current $I_N$	2 A
Rated surge voltage	0.5 kV
Tripping method	E (electronic)
Required backup fuse	not required, integrated failsafe element
Dielectric strength	max. 30 V DC (Load circuit)
Active current limitation	typ. $1.25 \times I_N$
Fuse	electronic
Closed circuit current $I_0$	typ. 8 mA (When switched on)
	typ. 17 mA (With alarm output)
Power dissipation	0.61 W (Nominal operation)
Temperature derating	2 A (at 50 °C)
MTBF (IEC 61709, SN 29500)	8320000 h (at 25 °C with 80 % load)
	7410000 h (at 40 °C with 80 % load)
Voltage drop	100 mV (at $I_N$ )
Fail-safe element	4 A DC
Contact switching type	without electrical isolation

#### Load circuit

Shutdown time	400 ms (see time/current characteristic curve)
Undervoltage switch-off	< 14 V (typ. OFF)

# CB E1 24DC/2A NO P - Electronic circuit breaker



2800902

<https://www.phoenixcontact.com/us/products/2800902>

	> 17 V (typ. ON)
Max. capacitive load	20000 $\mu$ F
Switch-on delay	typ. 2 ms

## Auxiliary contact

Contact connection type	floating signal contact
Minimum operating voltage $U_{\min}$ DC	10 V DC
Maximum operating voltage $U_{\max}$ DC	30 V DC
Minimum operating current $I_{\min}$	10 mA
Max. operating current $I_{\max}$	0.5 A

## Connection data

Connection method	pluggable
-------------------	-----------

## Dimensions

Dimensional drawing	
Width	12.3 mm
Height	45 mm
Depth	52 mm
Complete module width	12.3 mm
Complete module height	90 mm
Complete module depth	77.3 mm

## Material specifications

Color	gray (RAL 7042)
	black (RAL 9005)
Flammability rating according to UL 94	V-0

## Environmental and real-life conditions

### Ambient conditions

Degree of protection	IP30 (Actuation area)
Ambient temperature (operation)	-25 °C ... 50 °C (non-condensing)
Ambient temperature (storage/transport)	-40 °C ... 70 °C
Humidity test	96 h, 95 % RH, 40 °C
Vibration (operation)	3g (according to IEC 60068-2-6, Test Fc)

## Approvals

### UL approval

Identification	UL Listed UL 508
----------------	------------------

# CB E1 24DC/2A NO P - Electronic circuit breaker



2800902

<https://www.phoenixcontact.com/us/products/2800902>

	UL Recognized UL 2367
--	-----------------------

## Shipbuilding approval

Identification	DNV GL
----------------	--------

## Standards and regulations

Standard designation	EMV
Standards/specifications	EN 61000-6-3
Note	Interference emission
Standard designation	EMV
Standards/specifications	EN 61000-6-2
Note	Noise immunity

## Mounting

Mounting type	on base element
---------------	-----------------

# CB E1 24DC/2A NO P - Electronic circuit breaker

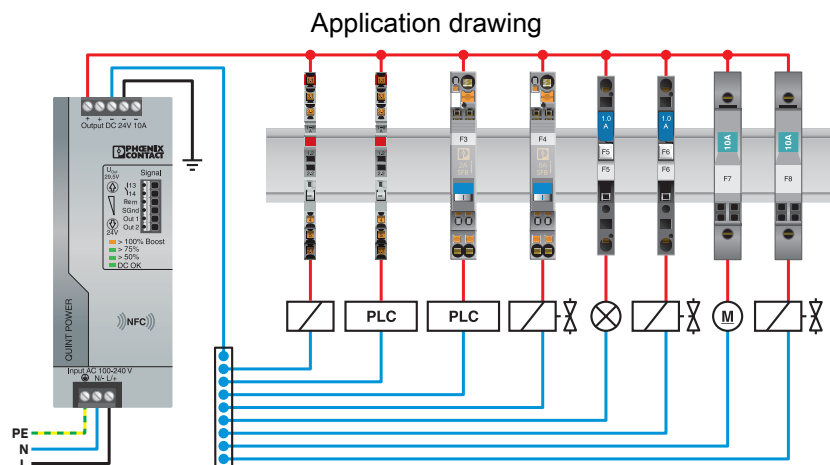
2800902

<https://www.phoenixcontact.com/us/products/2800902>

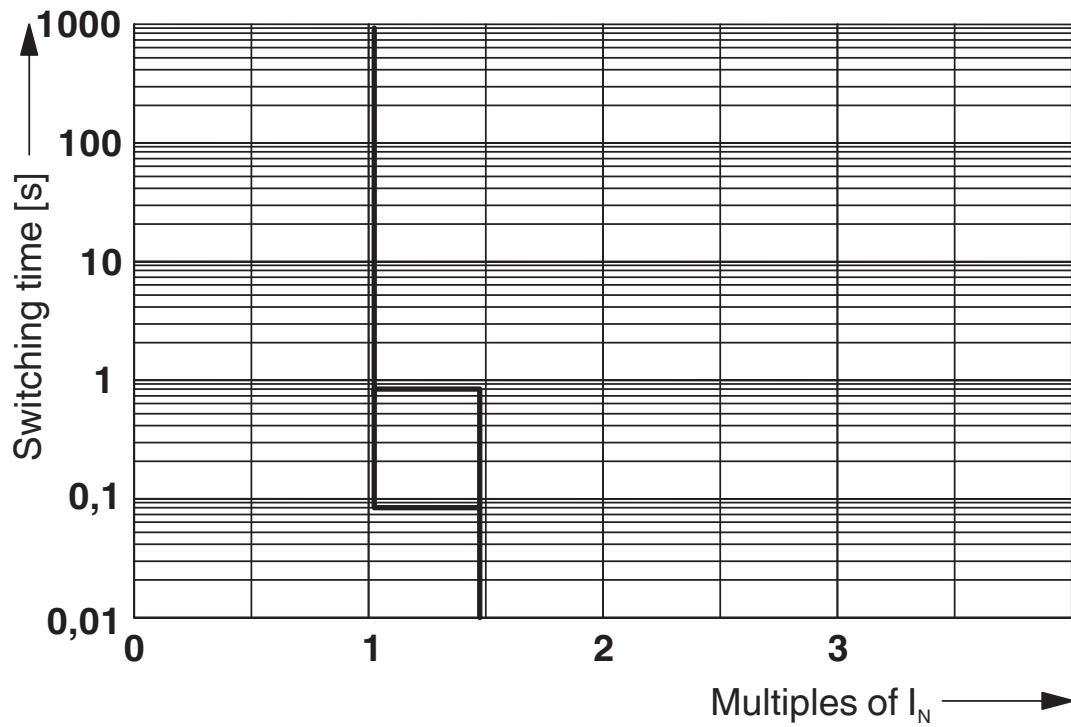
## Drawings



The figure shows the complete module consisting of a base element and connector

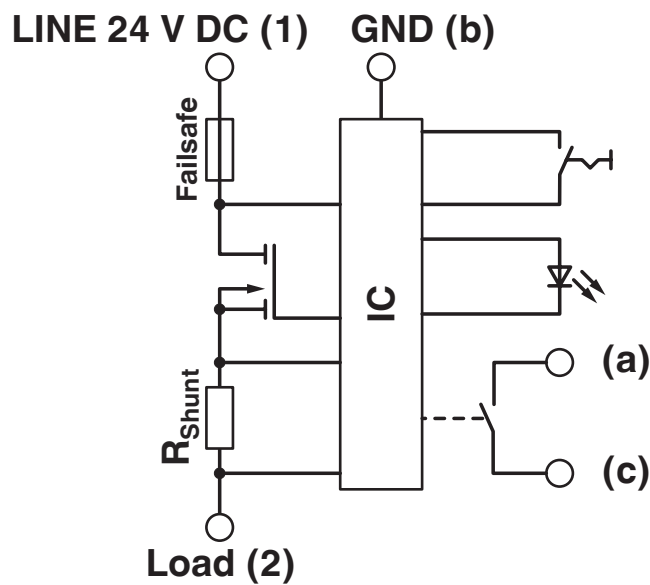


Diagram



Trigger characteristic

Circuit diagram



# CB E1 24DC/2A NO P - Electronic circuit breaker



2800902

<https://www.phoenixcontact.com/us/products/2800902>

## Approvals

To download certificates, visit the product detail page: <https://www.phoenixcontact.com/us/products/2800902>



**UL Recognized**

Approval ID: FILE E 317172



**DNV GL**

Approval ID: TAE00003KA



**cULus Listed**

Approval ID: E123528

# CB E1 24DC/2A NO P - Electronic circuit breaker



2800902

<https://www.phoenixcontact.com/us/products/2800902>

## Classifications

### ECLASS

ECLASS-13.0	27140401
ECLASS-15.0	27140401

### ETIM

ETIM 10.0	EC003538
-----------	----------

### UNSPSC

UNSPSC 21.0	39121400
-------------	----------

## Environmental product compliance

### EU RoHS

Fulfills EU RoHS substance requirements	Yes
Exemption	7(a), 7(c)-I

### China RoHS

Environment friendly use period (EFUP)	EFUP-25
	An article-related China RoHS declaration table can be found in the download area for the respective article under "Manufacturer declaration". For all articles with EFUP-E, no China RoHS declaration table issued and required.

### EU REACH SVHC

REACH candidate substance (CAS No.)	Lead(CAS: 7439-92-1)
SCIP	c29c8852-5be8-43f4-b91c-bd56e046296b

### EF3.1 Climate Change

CO2e kg	2.684 kg CO2e
---------	---------------

Phoenix Contact 2026 © - all rights reserved  
<https://www.phoenixcontact.com>

Phoenix Contact USA  
 586 Fulling Mill Road  
 Middletown, PA 17057, United States  
 (+717) 944-1300  
[info@phoenixcon.com](mailto:info@phoenixcon.com)