

CB TM2 6A M1 P - Thermal-magnetic device circuit breaker



2800885

<https://www.phoenixcontact.com/us/products/2800885>

Please be informed that the data shown in this PDF document is generated from our online catalog. Please find the complete data in the user documentation. Our general terms of use for downloads are valid.



Thermal-magnetic device circuit breaker, 2-pos., tripping characteristic M1 (medium-blow), 2 changeover contacts, plug for base element.

Product description

Thermal-magnetic device circuit breaker

Commercial data

Item number	2800885
Packing unit	1 pc
Minimum order quantity	1 pc
Sales key	CL04
Product key	CLA124
GTIN	4046356690478
Weight per piece (including packing)	70.6 g
Weight per piece (excluding packing)	68.4 g
Customs tariff number	85362010
Country of origin	ID

CB TM2 6A M1 P - Thermal-magnetic device circuit breaker



2800885

<https://www.phoenixcontact.com/us/products/2800885>

Technical data

Product properties

Product type	Thermomagnetic device circuit breakers
Product family	CB TM
Type	Male
Number of positions	2
No. of channels	1

Insulation characteristics

Degree of pollution	2
---------------------	---

Electrical properties

Fuse type	Automatic device
-----------	------------------

General

Rated voltage	80 V DC (IEC 60934)
	80 V DC (UL 1077)
	80 V DC (UL 508 - with plug-in base)
	240 V AC (U _e according to IEC 60934)
	277 V AC (UL 1077)
	277 V AC (UL 508 - with plug-in base)
Rated insulation voltage U _i	277 V AC (UL 1077)
	250 V AC (IEC 60934)
Rated current I _N	6 A (IEC 60934)
	6 A AC (inductive load according to UL 1077)
	6 A DC (low-induction load according to UL 1077)
	6 A AC (inductive load according to UL 508 - with plug-in base)
	6 A DC (low-induction load according to UL 508 - with plug-in base)
Rated surge voltage	2.5 kV (Increased insulation in actuation area)
Insulation resistance R _{iso}	> 100 MΩ (500 V DC)
Auxiliary circuit	277 V AC / 0.5 A (Low-induction)
	277 V AC / 1 A (Low-induction, maximum of 2000 cycles)
	50 V DC / 1 A (Low-induction)
Type of actuation	S type
Tripping method	TM (thermal-magnetic)
Tripping level	Trip-free mechanism (positive)
Device resistance	50 mΩ
Required backup fuse	≥ 24 A (I > I _{cn})
Rated short-circuit switching capacity I _{cn}	400 A (240 V AC)
	600 A (80 V DC)
Short-circuit switching capacity	1000 A AC (277 V AC)
	1000 A DC (50 V DC)

CB TM2 6A M1 P - Thermal-magnetic device circuit breaker



2800885

<https://www.phoenixcontact.com/us/products/2800885>

Dielectric strength	3000 V AC (Actuation area)
	1500 V AC (Main to auxiliary circuit)
	1500 V AC (Open main circuit)
	1000 V AC (Open auxiliary circuit)
	1500 V AC (Position to position)
Switching cycles, max.	6000 (240 V AC / 1 x I _n)
	3000 (80 V DC/1 x I _n)
Fuse	M1 (normal blow)
Power dissipation	1.8 W (in nominal operation per channel)
Voltage drop	0.29 V (at 1 x I _n)
Contact switching type	2 changeover contacts

Auxiliary contact

Minimum operating voltage U _{min} DC	10 V
Maximum operating voltage U _{max} DC	240 V
Maximum operating voltage U _{max} AC	240 V
Minimum operating current I _{min}	10 mA
Max. operating current I _{max}	1 A

Connection data

Connection method	pluggable
Connection method	pluggable

Dimensions

Dimensional drawing	
Width	24.6 mm
Height	45 mm
Depth	52 mm

Material specifications

Color	gray (RAL 7042)
	black (RAL 9005)
Flammability rating according to UL 94	V-0
Insulating material group	II

Mechanical properties

Mechanical data

Open side panel	No
-----------------	----

CB TM2 6A M1 P - Thermal-magnetic device circuit breaker



2800885

<https://www.phoenixcontact.com/us/products/2800885>

Environmental and real-life conditions

Ambient conditions

Degree of protection	IP30 (Actuation area)
Ambient temperature (operation)	-30 °C ... 60 °C
Ambient temperature (storage/transport)	-40 °C ... 80 °C
Humidity test	240 h, 95 % RH, 40 °C
Shock (operation)	30g (IEC 60068-2-27, Test Ea)
Vibration (operation)	8g (IEC 60068-2-6, Test Fc)

Approvals

UL approval

Identification	UL Listed UL 508
	UL/C-UL Recognized UL 1077

CSA

Identification	CSA CAN/CSA-C22.2 No. 235-04
----------------	------------------------------

Shipbuilding approval

Identification	DNV GL
----------------	--------

Standards and regulations

Standards/specifications	EN 60934
--------------------------	----------

Mounting

Mounting type	on base element
---------------	-----------------

CB TM2 6A M1 P - Thermal-magnetic device circuit breaker

2800885

<https://www.phoenixcontact.com/us/products/2800885>

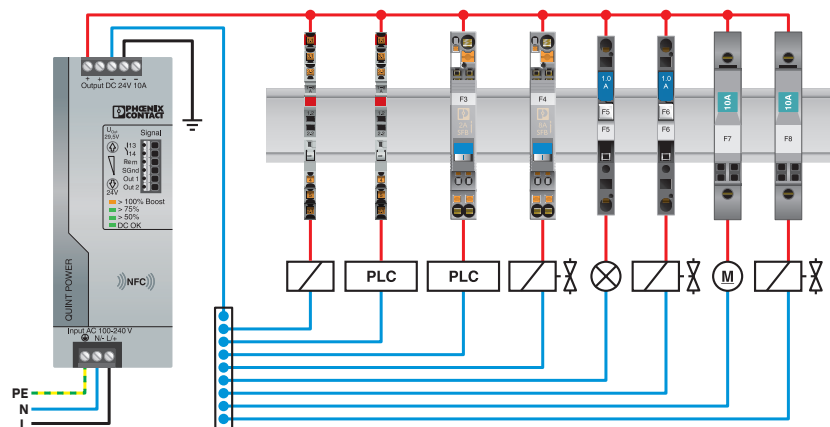
Drawings

Dimensional drawing



The figure shows the complete module consisting of a base element and connector

Application drawing



The figure shows the single-position versions

CB TM2 6A M1 P - Thermal-magnetic device circuit breaker



2800885

<https://www.phoenixcontact.com/us/products/2800885>

Application drawing



Diagram



Trigger characteristic
 Gray: DC range, blue: AC range

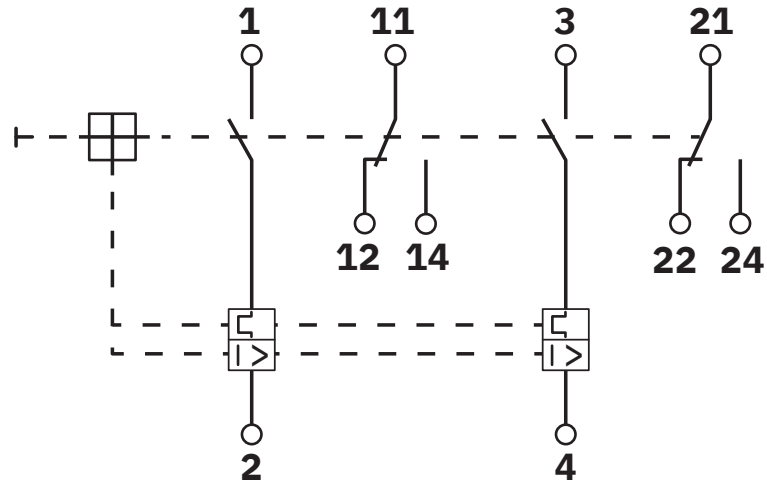
CB TM2 6A M1 P - Thermal-magnetic device circuit breaker



2800885

<https://www.phoenixcontact.com/us/products/2800885>

Circuit diagram



CB TM2 6A M1 P - Thermal-magnetic device circuit breaker



2800885

<https://www.phoenixcontact.com/us/products/2800885>

Approvals

To download certificates, visit the product detail page: <https://www.phoenixcontact.com/us/products/2800885>



cUL Recognized
Approval ID: FILE E 140459



UL Recognized
Approval ID: FILE E 140459



DNV GL
Approval ID: TAE00003C7



VDE Zeichengenehmigung
Approval ID: 40034683



CCC
Approval ID: 2025010307749779



CSA
Approval ID: 2786957



KC
Approval ID: SW05012-15005

UAE-RoHS

Approval ID: 22-09-50938

CB TM2 6A M1 P - Thermal-magnetic device circuit breaker



2800885

<https://www.phoenixcontact.com/us/products/2800885>

Classifications

ECLASS

ECLASS-13.0	27140401
ECLASS-15.0	27140401

ETIM

ETIM 10.0	EC003538
-----------	----------

UNSPSC

UNSPSC 21.0	39121400
-------------	----------

CB TM2 6A M1 P - Thermal-magnetic device circuit breaker



2800885

<https://www.phoenixcontact.com/us/products/2800885>

Environmental product compliance

EU RoHS

Fulfills EU RoHS substance requirements	Yes, No exemptions
---	--------------------

China RoHS

Environment friendly use period (EFUP)	EFUP-E
	No hazardous substances above the limits

EU REACH SVHC

REACH candidate substance (CAS No.)	No substance above 0.1 wt%
-------------------------------------	----------------------------

EF3.1 Climate Change

CO2e kg	8.844 kg CO2e
---------	---------------

Phoenix Contact 2026 © - all rights reserved
<https://www.phoenixcontact.com>

Phoenix Contact USA
586 Fulling Mill Road
Middletown, PA 17057, United States
(+717) 944-1300
info@phoenixcon.com