

CB TM1 2A M1 P - Thermal-magnetic device circuit breaker



2800848

<https://www.phoenixcontact.com/us/products/2800848>

Please be informed that the data shown in this PDF document is generated from our online catalog. Please find the complete data in the user documentation. Our general terms of use for downloads are valid.



Thermal-magnetic device circuit breaker, 1-pos., tripping characteristic M1 (medium-blow), 1 changeover contact, plug for base element.

Your advantages

- Individually adjustable with protective plugs
- Switch higher starting currents with the aid of the M1 characteristic curve
- Protective plug with fixed nominal current value as protection against unintentional changes
- Increased safety with electrical isolation in the event of errors

Commercial data

Item number	2800848
Packing unit	1 pc
Minimum order quantity	1 pc
Sales key	CL04
Product key	CLA124
GTIN	4046356689991
Weight per piece (including packing)	45 g
Weight per piece (excluding packing)	41.6 g
Customs tariff number	85362010
Country of origin	ID

CB TM1 2A M1 P - Thermal-magnetic device circuit breaker



2800848

<https://www.phoenixcontact.com/us/products/2800848>

Technical data

Product properties

Product type	Thermomagnetic device circuit breakers
Product family	CB TM
Type	Male
Number of positions	1
No. of channels	1

Insulation characteristics

Degree of pollution	2
---------------------	---

Electrical properties

Fuse type	Automatic device
-----------	------------------

General

Rated voltage	50 V DC (IEC 60934)
	50 V DC (UL 1077)
	50 V DC (UL 508 - with plug-in base)
	240 V AC (U _e according to IEC 60934)
	277 V AC (UL 1077)
	277 V AC (UL 508 - with plug-in base)
Rated insulation voltage U _i	277 V AC (UL 1077)
	250 V AC (IEC 60934)
Rated current I _N	2 A (IEC 60934)
	2 A (inductive load according to UL 1077)
	2 A (low-induction load according to UL 1077)
	2 A AC (inductive load according to UL 508 - with plug-in base)
	2 A DC (low-induction load according to UL 508 - with plug-in base)
Rated surge voltage	2.5 kV (Increased insulation in actuation area)
Insulation resistance R _{iso}	> 100 MΩ (500 V DC)
Auxiliary circuit	277 V AC / 0.5 A (Low-induction)
	277 V AC / 1 A (Low-induction, maximum of 2000 cycles)
	50 V DC / 1 A (Low-induction)
Type of actuation	S type
Tripping method	TM (thermal-magnetic)
Tripping level	Trip-free mechanism (positive)
Device resistance	300 mΩ
Required backup fuse	15 A (I > I _{cn})
Rated short-circuit switching capacity I _{cn}	300 A (240 V AC)
	600 A (50 V DC)
Short-circuit switching capacity	1000 A AC (277 V AC)
	1000 A DC (50 V DC)

CB TM1 2A M1 P - Thermal-magnetic device circuit breaker



2800848

<https://www.phoenixcontact.com/us/products/2800848>

Dielectric strength	3000 V AC (Actuation area)
	1500 V AC (Main to auxiliary circuit)
	1500 V AC (Open main circuit)
	1000 V AC (Open auxiliary circuit)
Switching cycles, max.	6000 (at 1 x I _n)
Fuse	M1 (normal blow)
Power dissipation	1.2 W (in nominal operation per channel)
Voltage drop	0.64 V (at 1 x I _n)
Contact switching type	1 changeover contact

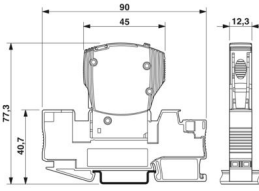
Auxiliary contact

Minimum operating voltage U _{min} DC	10 V
Maximum operating voltage U _{max} DC	240 V
Maximum operating voltage U _{max} AC	240 V
Minimum operating current I _{min}	10 mA
Max. operating current I _{max}	1 A

Connection data

Connection method	pluggable
Connection method	pluggable

Dimensions

Dimensional drawing	
Width	12.3 mm
Height	45 mm
Depth	52 mm
Complete module width	12.3 mm
Complete module height	90 mm
Complete module depth	77.3 mm

Material specifications

Color	gray (RAL 7042)
	black (RAL 9005)
Flammability rating according to UL 94	V-0
Insulating material group	II

Mechanical properties

Mechanical data

Open side panel	No
-----------------	----

CB TM1 2A M1 P - Thermal-magnetic device circuit breaker



2800848

<https://www.phoenixcontact.com/us/products/2800848>

Environmental and real-life conditions

Ambient conditions

Degree of protection	IP30 (Actuation area)
Ambient temperature (operation)	-30 °C ... 60 °C
Ambient temperature (storage/transport)	-40 °C ... 80 °C
Humidity test	240 h, 95 % RH, 40 °C
Shock (operation)	30g (According to IEC 60068-2-27, Test Ea)
Vibration (operation)	8g (in accordance with IEC 60068-2-6, Test Fc)

Approvals

UL approval

Identification	UL Listed UL 508
	UL/C-UL Recognized UL 1077

CSA

Identification	CSA CAN/CSA-C22.2 No. 235-04
----------------	------------------------------

Shipbuilding approval

Identification	DNV GL
----------------	--------

Standards and regulations

Standards/specifications	EN 60934
--------------------------	----------

Mounting

Mounting type	on base element
---------------	-----------------

CB TM1 2A M1 P - Thermal-magnetic device circuit breaker

2800848

<https://www.phoenixcontact.com/us/products/2800848>

Drawings



The figure shows the complete module consisting of a base element and connector



CB TM1 2A M1 P - Thermal-magnetic device circuit breaker



2800848

<https://www.phoenixcontact.com/us/products/2800848>

Application drawing



Diagram



Trigger characteristic
 Gray: DC range, blue: AC range

CB TM1 2A M1 P - Thermal-magnetic device circuit breaker



2800848

<https://www.phoenixcontact.com/us/products/2800848>

Circuit diagram



CB TM1 2A M1 P - Thermal-magnetic device circuit breaker



2800848

<https://www.phoenixcontact.com/us/products/2800848>

Approvals

To download certificates, visit the product detail page: <https://www.phoenixcontact.com/us/products/2800848>



cUL Recognized
Approval ID: FILE E 140459



UL Recognized
Approval ID: FILE E 140459



DNV GL
Approval ID: TAE00003C7



VDE Zeichengenehmigung
Approval ID: 40034683



UL Listed
Approval ID: FILE E 172140



CCC
Approval ID: 2025010307749779



CSA
Approval ID: 2786957



cUL Listed
Approval ID: FILE E 172140



KC
Approval ID: SW05012-15001A

UAE-RoHS

Approval ID: 22-09-50937

CB TM1 2A M1 P - Thermal-magnetic device circuit breaker



2800848

<https://www.phoenixcontact.com/us/products/2800848>

Classifications

ECLASS

ECLASS-13.0	27140401
ECLASS-15.0	27140401

ETIM

ETIM 10.0	EC003538
-----------	----------

UNSPSC

UNSPSC 21.0	39121400
-------------	----------

CB TM1 2A M1 P - Thermal-magnetic device circuit breaker



2800848

<https://www.phoenixcontact.com/us/products/2800848>

Environmental product compliance

EU RoHS

Fulfills EU RoHS substance requirements	Yes, No exemptions
-----------------------------------------	--------------------

China RoHS

Environment friendly use period (EFUP)	EFUP-E
	No hazardous substances above the limits

EU REACH SVHC

REACH candidate substance (CAS No.)	No substance above 0.1 wt%
-------------------------------------	----------------------------

EF3.1 Climate Change

CO2e kg	6.149 kg CO2e
---------	---------------

Phoenix Contact 2026 © - all rights reserved
<https://www.phoenixcontact.com>

Phoenix Contact USA
586 Fulling Mill Road
Middletown, PA 17057, United States
(+717) 944-1300
info@phoenixcon.com