

PT-IQ-2X2-24DC-P - Surge protection plug

2800804

<https://www.phoenixcontact.com/us/products/2800804>

Please be informed that the data shown in this PDF document is generated from our online catalog. Please find the complete data in the user documentation. Our general terms of use for downloads are valid.



Surge protection plug with integrated multi-stage status indicator on the module for two 2-wire floating signal circuits. 24 V DC nominal voltage.

Your advantages

- Predictive monitoring with 3-stage LED display
- Integration of the status message into the system controller via group remote signaling
- The signal is not influenced during maintenance work, thanks to the impedance-neutral insertion and removal of protective plugs
- Maximum ease of maintenance, thanks to the 2-piece design
- Maximum protection for MCR applications with high discharge capacity

Commercial data

Item number	2800804
Packing unit	1 pc
Minimum order quantity	1 pc
Sales key	CL22
Product key	CL2151
GTIN	4046356659185
Weight per piece (including packing)	55.2 g
Weight per piece (excluding packing)	55 g
Customs tariff number	85363010
Country of origin	DE

PT-IQ-2X2-24DC-P - Surge protection plug

2800804

<https://www.phoenixcontact.com/us/products/2800804>

Technical data

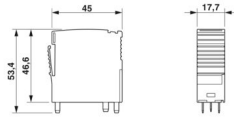
Product properties

Product type	Replacement plug
Product family	PLUGTRAB IQ
Type	Male
Surge protection fault message	Optical, multi-stage
Wire pairs per module	2

Electrical properties

Nominal voltage U_N	24 V DC
-----------------------	---------

Dimensions

Dimensional drawing	
Width	17.7 mm
Height	45 mm
Depth	53.4 mm
Horizontal pitch	1 Div.
Complete module width	17.7 mm
Complete module height	91.1 mm
Complete module depth	77.5 mm

Material specifications

Color	black (RAL 9005) black (RAL 9005)
Flammability rating according to UL 94	V0
Housing material	PA 6.6

Protective circuit

Direction of action	Line-Line & Line-Signal Ground/Shield & optional Signal Ground/Shield-Earth Ground
Nominal voltage U_N	24 V DC
Maximum continuous operating voltage U_C	30 V DC 21 V AC
Rated current	700 mA (45 °C)
Surge protection fault message	Optical, multi-stage

Environmental and real-life conditions

Ambient conditions

Degree of protection	IP20
----------------------	------

PT-IQ-2X2-24DC-P - Surge protection plug



2800804

<https://www.phoenixcontact.com/us/products/2800804>

Ambient temperature (operation)	-40 °C ... 70 °C
Ambient temperature (storage/transport)	-40 °C ... 85 °C
Permissible humidity (operation)	5 % ... 95 %

Standards and regulations

Standards/specifications	EN 61643-21/A1
Note	2009

Mounting

Mounting type	on base element
---------------	-----------------

PT-IQ-2X2-24DC-P - Surge protection plug

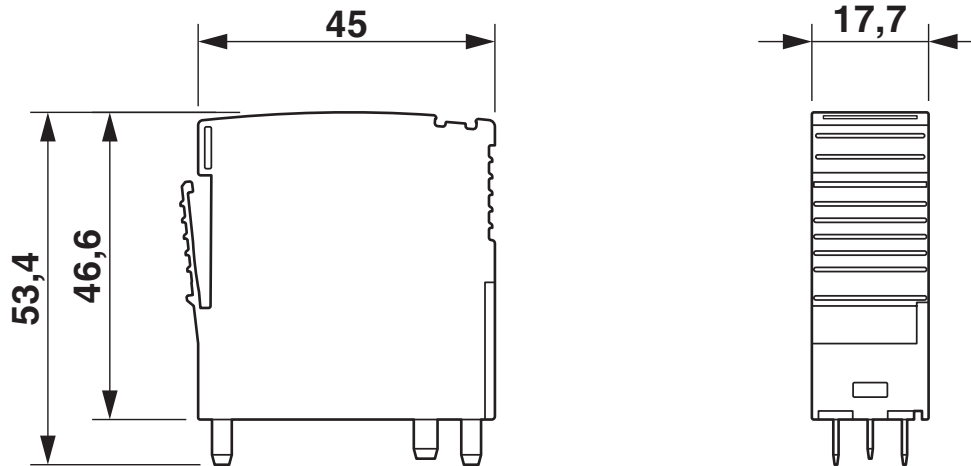
2800804

<https://www.phoenixcontact.com/us/products/2800804>



Drawings

Dimensional drawing



PT-IQ-2X2-24DC-P - Surge protection plug



2800804

<https://www.phoenixcontact.com/us/products/2800804>

Classifications

ECLASS

ECLASS-13.0	27171501
ECLASS-15.0	27171501

ETIM

ETIM 10.0	EC001466
-----------	----------

UNSPSC

UNSPSC 21.0	39121600
-------------	----------

PT-IQ-2X2-24DC-P - Surge protection plug



2800804

<https://www.phoenixcontact.com/us/products/2800804>

Environmental product compliance

EU RoHS

Fulfills EU RoHS substance requirements	Yes
Exemption	6(c), 7(a), 7(c)-I

China RoHS

Environment friendly use period (EFUP)	EFUP-50
	An article-related China RoHS declaration table can be found in the download area for the respective article under "Manufacturer declaration". For all articles with EFUP-E, no China RoHS declaration table issued and required.

EU REACH SVHC

REACH candidate substance (CAS No.)	Lead(CAS: 7439-92-1)
	2,2',6,6'-tetrabromo-4,4'-isopropylidenediphenol(CAS: 79-94-7)
SCIP	6d232c9c-45e1-44a9-9c95-bad02ecdac8

EF3.1 Climate Change

CO2e kg	3.924 kg CO2e
---------	---------------

Phoenix Contact 2026 © - all rights reserved
<https://www.phoenixcontact.com>

Phoenix Contact USA
586 Fulling Mill Road
Middletown, PA 17057, United States
(+717) 944-1300
info@phoenixcon.com