

PT-IQ-3-HF-12DC-P - Surge protection plug



2800784

<https://www.phoenixcontact.com/us/products/2800784>

Please be informed that the data shown in this PDF document is generated from our online catalog. Please find the complete data in the user documentation. Our general terms of use for downloads are valid.



Surge protection plug with integrated multi-stage status indicator on the module for three signal wires. For HF applications. Nominal voltage: 12 V DC

Your advantages

- Predictive monitoring with 3-stage LED display
- Integration of the status message into the system controller via group remote signaling
- The signal is not influenced during maintenance work, thanks to the impedance-neutral insertion and removal of protective plugs
- Maximum ease of maintenance, thanks to the 2-piece design
- Maximum protection for MCR applications with high discharge capacity

Commercial data

Item number	2800784
Packing unit	1 pc
Minimum order quantity	1 pc
Sales key	CL22
Product key	CL2151
GTIN	4046356645256
Weight per piece (including packing)	49.6 g
Weight per piece (excluding packing)	27 g
Customs tariff number	85363010
Country of origin	DE

PT-IQ-3-HF-12DC-P - Surge protection plug



2800784

<https://www.phoenixcontact.com/us/products/2800784>

Technical data

Notes

General

Note	Remote signaling as well as the power supply are established by inserting the connector into the base element.
------	--

Product properties

Product type	Replacement plug
Product family	PLUGTRAB IQ
Type	Male
Surge protection fault message	Optical, multi-stage

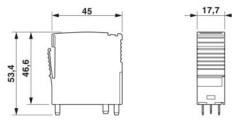
Electrical properties

Nominal voltage U_N	12 V DC
-----------------------	---------

Connection data

Connection method	pluggable
-------------------	-----------

Dimensions

Dimensional drawing	
Width	17.7 mm
Height	45 mm
Depth	53.4 mm
Horizontal pitch	1 Div.
Complete module width	17.7 mm
Complete module height	91.1 mm
Complete module depth	77.5 mm

Material specifications

Color	black (RAL 9005)
	black (RAL 9005)
Flammability rating according to UL 94	V-0
Housing material	PA 6.6

Protective circuit

Direction of action	Line-Line & Line-Signal Ground/Shield & optional Signal Ground/Shield-Earth Ground
Nominal voltage U_N	12 V DC
Maximum continuous operating voltage U_C	15 V DC

PT-IQ-3-HF-12DC-P - Surge protection plug



2800784

<https://www.phoenixcontact.com/us/products/2800784>

	10 V AC
Rated current	600 mA (40 °C)
Surge protection fault message	Optical, multi-stage

Environmental and real-life conditions

Ambient conditions

Degree of protection	IP20
Ambient temperature (operation)	-40 °C ... 70 °C
Ambient temperature (storage/transport)	-40 °C ... 85 °C
Permissible humidity (operation)	5 % ... 95 %

Standards and regulations

Air clearances and creepage distances

Standards/regulations	IEC 60664-1
-----------------------	-------------

Mounting

Mounting type	on base element
---------------	-----------------

PT-IQ-3-HF-12DC-P - Surge protection plug

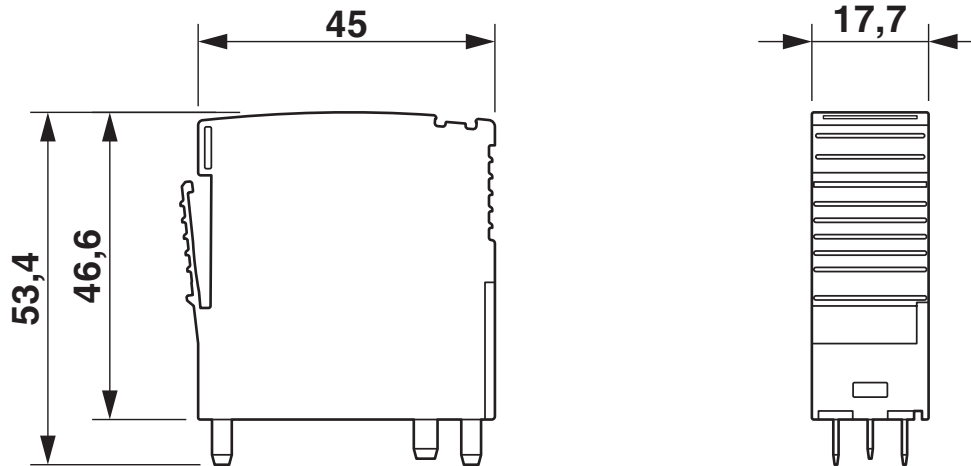
2800784

<https://www.phoenixcontact.com/us/products/2800784>



Drawings

Dimensional drawing



PT-IQ-3-HF-12DC-P - Surge protection plug



2800784

<https://www.phoenixcontact.com/us/products/2800784>

Classifications

ECLASS

ECLASS-13.0	27171503
ECLASS-15.0	27171503

ETIM

ETIM 10.0	EC001625
-----------	----------

UNSPSC

UNSPSC 21.0	39121600
-------------	----------

PT-IQ-3-HF-12DC-P - Surge protection plug



2800784

<https://www.phoenixcontact.com/us/products/2800784>

Environmental product compliance

EU RoHS

Fulfills EU RoHS substance requirements	Yes
Exemption	6(c), 7(a), 7(c)-I

China RoHS

Environment friendly use period (EFUP)	EFUP-50
	An article-related China RoHS declaration table can be found in the download area for the respective article under "Manufacturer declaration". For all articles with EFUP-E, no China RoHS declaration table issued and required.

EU REACH SVHC

REACH candidate substance (CAS No.)	Lead(CAS: 7439-92-1)
	2,2',6,6'-tetrabromo-4,4'-isopropylidenediphenol(CAS: 79-94-7)
SCIP	d32a4b5e-729e-4e44-8b63-d097a9ed6611

EF3.1 Climate Change

CO2e kg	3.269 kg CO2e
---------	---------------

Phoenix Contact 2026 © - all rights reserved
<https://www.phoenixcontact.com>

Phoenix Contact USA
586 Fulling Mill Road
Middletown, PA 17057, United States
(+717) 944-1300
info@phoenixcon.com