

# D-LAN-CAT.5-HC - Surge protection device



2800763

<https://www.phoenixcontact.com/us/products/2800763>

Please be informed that the data shown in this PDF document is generated from our online catalog. Please find the complete data in the user documentation. Our general terms of use for downloads are valid.



Surge protection for data networks up to 1 Gbps. For use in Ethernet, Power over Ethernet (PoE, mode A and mode B), token ring, ISDN, and DS1. RJ45 attachment plug with separate grounding cable and snap-on foot for NS 35 DIN rails.

## Your advantages

- Category 5 and category 6 data networks
- Reliable transmission speeds up to 1 Gbps
- Protective adapter for 8 signal paths via RJ45 connector

## Commercial data

Item number	2800763
Packing unit	1 pc
Minimum order quantity	1 pc
Sales key	CL24
Product key	CL3112
GTIN	4046356730280
Weight per piece (including packing)	178 g
Weight per piece (excluding packing)	25 g
Customs tariff number	85363030
Country of origin	CN

# D-LAN-CAT.5-HC - Surge protection device

2800763

<https://www.phoenixcontact.com/us/products/2800763>

## Technical data

### Product properties

Product type	Surge protection for information technology
Product family	DATATRAB
IEC test classification	B2
	C2
	D1
	C1
VDE requirement class	B2
	C2
	D1
	C1
Type	Attachment plug for DIN rail mounting
Number of positions	8
Wire pairs per module	4

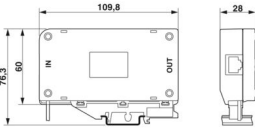
### Insulation characteristics

Overvoltage category	II
Pollution degree	2

### Connection data

Connection method	RJ45
-------------------	------

### Dimensions

Dimensional drawing	
Width	28 mm
Height	110 mm
Depth	60 mm (incl. NS 35 adapter)

### Material specifications

Color	gray (RAL 7042)
	black (RAL 9005)
Flammability rating according to UL 94	V-0
Housing material	PC+ABS

### Mechanical properties

#### Mechanical data

Open side panel	No
-----------------	----

# D-LAN-CAT.5-HC - Surge protection device



2800763

<https://www.phoenixcontact.com/us/products/2800763>

## Protective circuit

Direction of action	Line-Line & Line-Ground/Shield
Maximum continuous operating voltage $U_C$	$\pm 5$ V DC
Maximum continuous voltage $U_C$ (line-line)	$\pm 5$ V DC ( $\pm 57$ V DC/PoE+)
Rated current	$\leq 1.5$ A (25 °C)
Operating effective current $I_C$ at $U_C$	$\leq 600$ $\mu$ A
Nominal discharge current $I_n$ (8/20) $\mu$ s (line-line)	350 A
Nominal discharge current $I_n$ (8/20) $\mu$ s (line-ground)	2 kA
Pulse discharge current $I_{imp}$ (10/350) $\mu$ s (line-earth)	1 kA
Total discharge current $I_{Total}$ (8/20) $\mu$ s	8 kA
Nominal pulse current $I_{an}$ (10/700) $\mu$ s (line-line)	$\leq 25$ A
Nominal pulse current $I_{an}$ (10/700) $\mu$ s (line-earth)	$\leq 100$ A
Nominal pulse current $I_{an}$ (10/700) $\mu$ s (line-line)	$\leq 25$ A
Nominal pulse current $I_{an}$ (10/700) $\mu$ s (line-earth)	$\leq 100$ A
Output voltage limitation at 1 kV/ $\mu$ s (line-line) spike	$\leq 25$ V $\leq 90$ V (PoE)
Output voltage limitation at 1 kV/ $\mu$ s (line-earth) spike	$\leq 750$ V
Residual voltage at $I_n$ (conductor-conductor)	$\leq 35$ V $\leq 110$ V (PoE)
Residual voltage at $I_n$ (conductor-ground)	$\leq 850$ V
Voltage protection level $U_p$ (line-line)	$\leq 20$ V (B2 - 1 kV / 25 A) $\leq 90$ V (B2 - 1 kV / 25 A - PoE) $\leq 35$ V (C1-700 V/350 A) $\leq 110$ V (C1-700 V/350 A-PoE)
Voltage protection level $U_p$ (line-earth)	$\leq 700$ V (B2 - 4 kV / 100 A) $\leq 850$ V (C2 - 4 kV / 2 kA)
Response time $t_A$ (line-line)	$\leq 1$ ns
Response time $t_A$ (line-earth)	$\leq 100$ ns
Input attenuation aE, sym.	$\leq 0.5$ dB (100 MHz/100 $\Omega$ ) $\leq 1$ dB (100 MHz/100 $\Omega$ /Link Class E)
Near-end crosstalk attenuation	typ. 63 dB (1 MHz / 100 $\Omega$ / Link Class E) typ. 43 dB (16 MHz / 100 $\Omega$ / Link Class E) typ. 30 dB (100 MHz/100 $\Omega$ /Link Class E) > 40 dB (100 MHz/100 $\Omega$ )
Cut-off frequency $f_g$ (3 dB), sym. in 100 $\Omega$ system	250 MHz
Capacity (Core-Core)	typ. 15 pF (f= 1 MHz / VR= 0 V)
Capacity (Core-Earth)	typ. 5 pF (f= 1 MHz / VR= 0 V)
Impulse durability (line-line)	B2 - 1 kV / 25 A C1 - 700 V / 350 A
Impulse durability (line-earth)	B2 - 4 kV / 100 A C2 - 4 kV / 2 kA D1 - 1kA

# D-LAN-CAT.5-HC - Surge protection device



2800763

<https://www.phoenixcontact.com/us/products/2800763>

## Additional technical data

Max. total discharge current $I_{\text{total max}} (8/20) \mu\text{s}$	10 kA (1x)
--	------------

## Environmental and real-life conditions

### Ambient conditions

Degree of protection	IP20
Ambient temperature (operation)	-40 °C ... 85 °C
Permissible humidity (operation)	5 % ... 95 %

## Standards and regulations

VDE requirement class	B2
	C2
	D1
	C1

### Air clearances and creepage distances

Standards/regulations	VDE 0110-1 / IEC 60664
Standards/specifications	IEC 61643-21/A1
Note	2008
Standards/specifications	GB/T 18802.21
Note	2004
Standards/specifications	EN 61643-21/A1
Note	2009
Standards/specifications	IEC 61643-21
Note	2000

## Mounting

Mounting type	Connection-specific attachment plug and DIN rail, 35 mm
---------------	---

# D-LAN-CAT.5-HC - Surge protection device

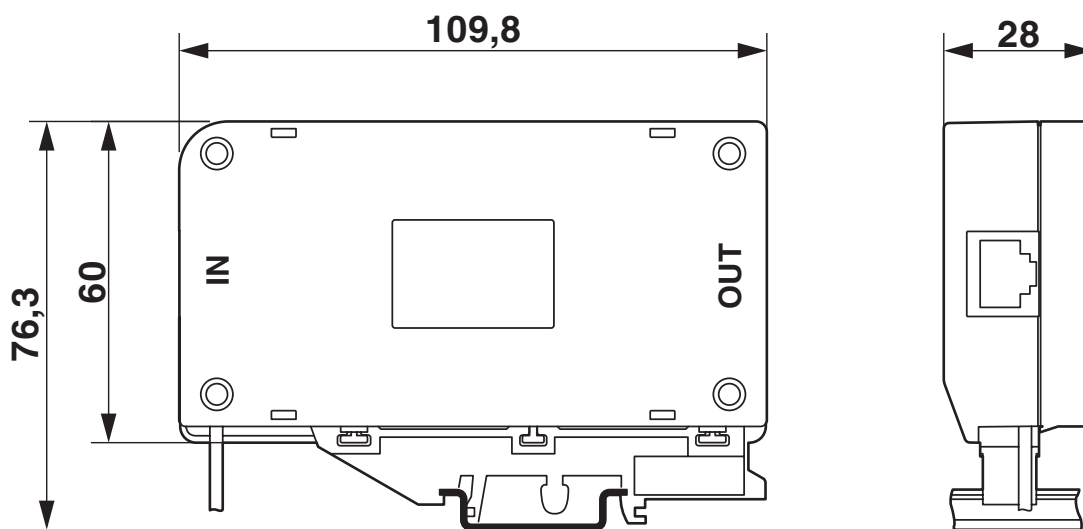


2800763

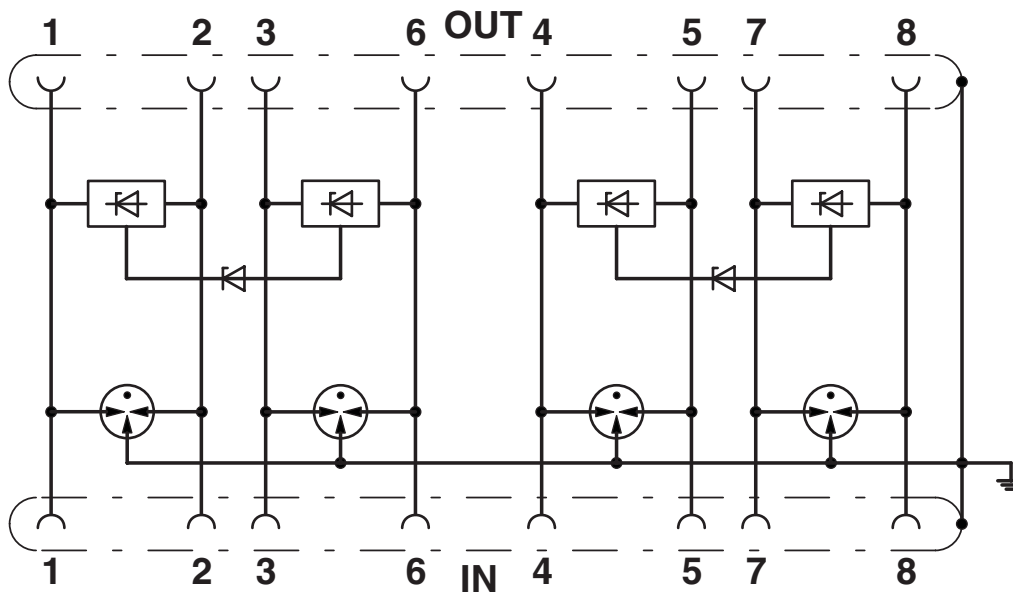
<https://www.phoenixcontact.com/us/products/2800763>

## Drawings

Dimensional drawing



Circuit diagram



# D-LAN-CAT.5-HC - Surge protection device



2800763

<https://www.phoenixcontact.com/us/products/2800763>

## Approvals

To download certificates, visit the product detail page: <https://www.phoenixcontact.com/us/products/2800763>



**UL Listed**

Approval ID: FILE E 138168

# D-LAN-CAT.5-HC - Surge protection device



2800763

<https://www.phoenixcontact.com/us/products/2800763>

## Classifications

### ECLASS

ECLASS-13.0	27171503
ECLASS-15.0	27171503

### ETIM

ETIM 10.0	EC001466
-----------	----------

### UNSPSC

UNSPSC 21.0	39121600
-------------	----------

# D-LAN-CAT.5-HC - Surge protection device



2800763

<https://www.phoenixcontact.com/us/products/2800763>

## Environmental product compliance

### EU RoHS

Fulfills EU RoHS substance requirements	Yes
Exemption	7(a)

### China RoHS

Environment friendly use period (EFUP)	EFUP-50
	An article-related China RoHS declaration table can be found in the download area for the respective article under "Manufacturer declaration". For all articles with EFUP-E, no China RoHS declaration table issued and required.

### EU REACH SVHC

REACH candidate substance (CAS No.)	Lead(CAS: 7439-92-1)
SCIP	45d9601d-4c22-4fe9-b5f1-3de07a7837df

Phoenix Contact 2026 © - all rights reserved

<https://www.phoenixcontact.com>

Phoenix Contact USA  
586 Fulling Mill Road  
Middletown, PA 17057, United States  
(+717) 944-1300  
[info@phoenixcon.com](mailto:info@phoenixcon.com)