

# SYS N4X/I 120/208Y - Surge protection device



2800719

<https://www.phoenixcontact.com/us/products/2800719>

Please be informed that the data shown in this PDF document is generated from our online catalog. Please find the complete data in the user documentation. Our general terms of use for downloads are valid.

Indoor/outdoor lightning current arrester and TVSS system for 120/208-240 V



## Product description

Combination lightning current arrester and TVSS for 120/208-240 V. Components are housed in an IP66/NEMA 4X cabinet and include phase indicator lamps.

## Commercial data

Item number	2800719
Packing unit	1 pc
Minimum order quantity	1 pc
Note	Made to order (non-returnable)
Sales key	CL01
Product key	CL1622
GTIN	4046356643351
Weight per piece (including packing)	222.22 g
Weight per piece (excluding packing)	222.22 g
Customs tariff number	85363090
Country of origin	US

# SYS N4X/I 120/208Y - Surge protection device



2800719

<https://www.phoenixcontact.com/us/products/2800719>

## Technical data

### Product properties

Product type	Surge protection for NEMA power supply units
IEC test classification	I + II
EN type	T1
Type	Housing for surface mounting
Surge protection fault message	Remote indication contact

### Electrical properties

Nominal voltage $U_N$	< 240 V
Fuse	200 kA VSP100, 100 A, 200 kAIC (IR)

### General

Power Systems	120/208 V AC Wye
---------------	------------------

### Connection data

Conductor cross-section flexible min.	16 mm <sup>2</sup>
Conductor cross-section flexible max.	35 mm <sup>2</sup>
Conductor cross-section, rigid min.	10 mm <sup>2</sup>
Conductor cross-section, rigid max.	50 mm <sup>2</sup>
Connection method	Screw connection
Conductor cross-section flexible min.	0.14 mm <sup>2</sup>
Conductor cross-section flexible max.	1.5 mm <sup>2</sup>
Conductor cross-section, rigid min.	0.14 mm <sup>2</sup>
Conductor cross-section, rigid max.	1.5 mm <sup>2</sup>

### Dimensions

Width	400 mm
Height	500 mm
Depth	210 mm

### Material specifications

Color	Steel/stainless steel color
	black (RAL 9005)
Housing material	Stainless steel 1.4404

### Protective circuit

Nominal voltage $U_N$	120/208 V AC (Wye)
Maximum continuous operating voltage $U_C$	275 V AC
Follow current interrupt rating $I_{fi}$	50 kA
Response time $t_A$	≤ 25 ns

### Environmental and real-life conditions

# SYS N4X/I 120/208Y - Surge protection device



2800719

<https://www.phoenixcontact.com/us/products/2800719>

## Ambient conditions

Degree of protection	IP66/NEMA 4X
Ambient temperature (operation)	-40 °C ... 80 °C

## Approvals

### UL specifications

Short-circuit current rating (SCCR)	50 kA
UL type	type 2
Nominal discharge current $I_n$	20 kA
Maximum Surge Current per Phase	50 kA
Nominal voltage	120/208 V AC (Wye)
Power distribution system	Wye

## Standards and regulations

### Standards

Standards/regulations	ANSI/UL 1449:2014 Ed.4+R:17MAR2016
	IEC 60643-1
	EN 61643-11
	CAN/CSA-C22.2 No. 8:2013 Ed.5

## Mounting

Mounting type	Surface/Panel mounting
---------------	------------------------

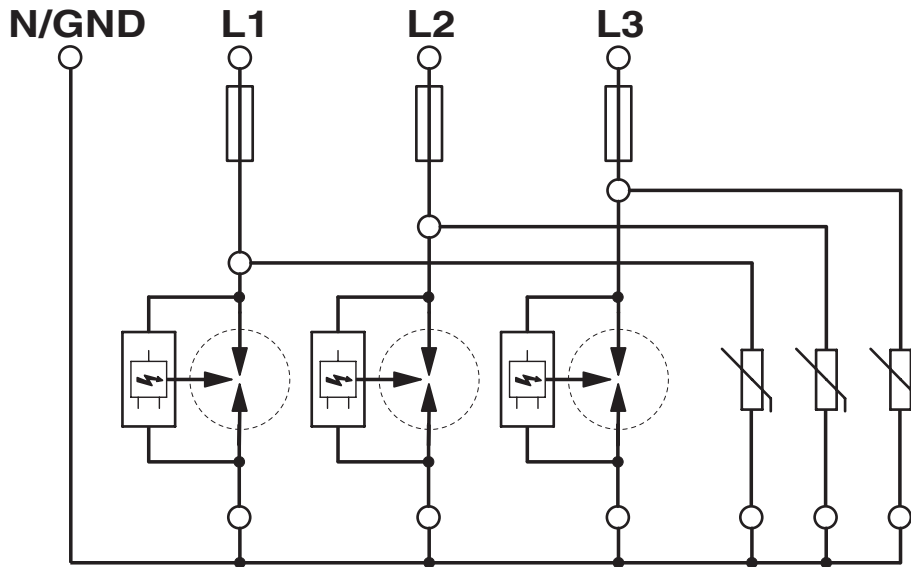
# SYS N4X/I 120/208Y - Surge protection device

2800719

<https://www.phoenixcontact.com/us/products/2800719>

## Drawings

Circuit diagram



# SYS N4X/I 120/208Y - Surge protection device



2800719

<https://www.phoenixcontact.com/us/products/2800719>

## Classifications

### ECLASS

ECLASS-13.0	27171202
-------------	----------

### UNSPSC

UNSPSC 21.0	39121620
-------------	----------

# SYS N4X/I 120/208Y - Surge protection device



2800719

<https://www.phoenixcontact.com/us/products/2800719>

## Environmental product compliance

### EU RoHS

Fulfills EU RoHS substance requirements	Not applicable, Not qualified for the European market
---	---

### China RoHS

Environment friendly use period (EFUP)	EFUP-50
	An article-related China RoHS declaration table can be found in the download area for the respective article under "Manufacturer declaration". For all articles with EFUP-E, no China RoHS declaration table issued and required.

### EU REACH SVHC

REACH candidate substance (CAS No.)	Hexahydromethylphthalic anhydride(CAS: n/a)
	4-Nonylphenol, branched and linear(CAS: n/a)
	Lead(CAS: 7439-92-1)

Phoenix Contact 2026 © - all rights reserved

<https://www.phoenixcontact.com>

Phoenix Contact USA  
586 Fulling Mill Road  
Middletown, PA 17057, United States  
(+717) 944-1300  
[info@phoenixcon.com](mailto:info@phoenixcon.com)