

VAL-MS-T1/T2 175/12.5 ST - Type 1/2 surge protection plug



2800676

<https://www.phoenixcontact.com/us/products/2800676>

Please be informed that the data shown in this PDF document is generated from our online catalog. Please find the complete data in the user documentation. Our general terms of use for downloads are valid.

L-N replacement plug for VAL-MS-T1/T2 175/12.5 plug-in lighting/surge arrester.



Your advantages

- Quality proven millions of times over in the widest range of applications
- Rapid installation with bridges, thanks to industry-standard overall width of 1 HP
- Easy testing and insulation measurement, thanks to pluggable protection modules

Commercial data

Item number	2800676
Packing unit	10 pc
Minimum order quantity	10 pc
Sales key	CL18
Product key	CL1151
GTIN	4046356624350
Weight per piece (including packing)	80.26 g
Weight per piece (excluding packing)	80 g
Customs tariff number	85363030
Country of origin	DE

VAL-MS-T1/T2 175/12.5 ST - Type 1/2 surge protection plug

2800676

<https://www.phoenixcontact.com/us/products/2800676>

Technical data

Product properties

Product type	Replacement plug
Product family	VALVETRAB MS
IEC test classification	I / II
	I
	T1 / T2
EN type	T1 / T2
IEC power supply system	TN-C
	TN-S
	TT
Type	Male
Surge protection fault message	optical

Insulation characteristics

Overvoltage category	III
Pollution degree	2

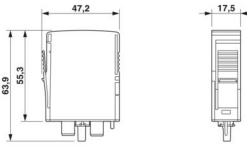
Electrical properties

Nominal frequency f_N	50 Hz (60 Hz)
Nominal voltage U_N	120 V AC

Connection data

Connection method	pluggable
-------------------	-----------

Dimensions

Dimensional drawing	
Width	17.5 mm
Height	47 mm
Depth	67.3 mm
Horizontal pitch	1 Div.

Material specifications

Color	black (RAL 9005)
Flammability rating according to UL 94	V-0
CTI value of material	600
Insulating material	PA 6.6/PBT
Material group	I
Housing material	PA 6.6

VAL-MS-T1/T2 175/12.5 ST - Type 1/2 surge protection plug



2800676

<https://www.phoenixcontact.com/us/products/2800676>

	PBT
--	-----

Protective circuit

Mode of protection	L-N
	L-PEN
Direction of action	L-N / L-PEN
Nominal voltage U_N	120/208 V AC (TN-C, TN-S)
	120/208 V AC (TT)
Nominal frequency f_N	50 Hz (60 Hz)
Maximum continuous operating voltage U_C	175 V AC
Protective conductor current I_{PE}	$\leq 800 \mu\text{A}$
Standby power consumption P_C	$\leq 140 \text{ mVA}$
Nominal discharge current I_n (8/20) μs	12.5 kA
Maximum discharge current I_{max} (8/20) μs	50 kA
Impulse discharge current (10/350) μs , charge	6.25 As
Impulse discharge current (10/350) μs , specific energy	39 kJ/ Ω
Impulse discharge current (10/350) μs , peak value I_{imp}	12.5 kA
Short-circuit current rating I_{SCCR}	25 kA
Voltage protection level U_p	$\leq 0.8 \text{ kV}$
Residual voltage U_{res}	$\leq 0.8 \text{ kV}$ (at I_n)
	$\leq 0.7 \text{ kV}$ (at 10 kA)
	$\leq 0.6 \text{ kV}$ (at 5 kA)
	$\leq 0.5 \text{ kV}$ (at 3 kA)
TOV behavior at U_T	208 V AC (5 s / withstand mode)
	229 V AC (120 min / withstand mode)
Response time t_A	$\leq 25 \text{ ns}$
Max. backup fuse with branch wiring	160 A (gG)

Environmental and real-life conditions

Ambient conditions

Degree of protection	IP20
Ambient temperature (operation)	-40 °C ... 80 °C
Ambient temperature (storage/transport)	-40 °C ... 80 °C
Altitude	$\leq 2000 \text{ m}$ (amsl)
Permissible humidity (operation)	5 % ... 95 %
Shock (operation)	30g (Half-sine / 11 ms / 3x $\pm X$, $\pm Y$, $\pm Z$)
Vibration (operation)	7.5g (10 ... 500 Hz / 2.5 h / X, Y, Z)

Approvals

UL specifications

Maximum continuous operating voltage MCOV (L-N)	175 V AC
Nominal discharge current I_n (L-N)	20 kA
Mode of protection	L-N

VAL-MS-T1/T2 175/12.5 ST - Type 1/2 surge protection plug



2800676

<https://www.phoenixcontact.com/us/products/2800676>

Nominal voltage	120 V AC
Power distribution system	Single phase
Nominal frequency	50/60 Hz
Measured limiting voltage MLV (L-N)	2200 V
SPD Type	4CA

Standards and regulations

Standards/specifications	IEC 61643-11
Note	2011
Standards/specifications	EN 61643-11
Note	2012

Mounting

Mounting type	on base element
---------------	-----------------

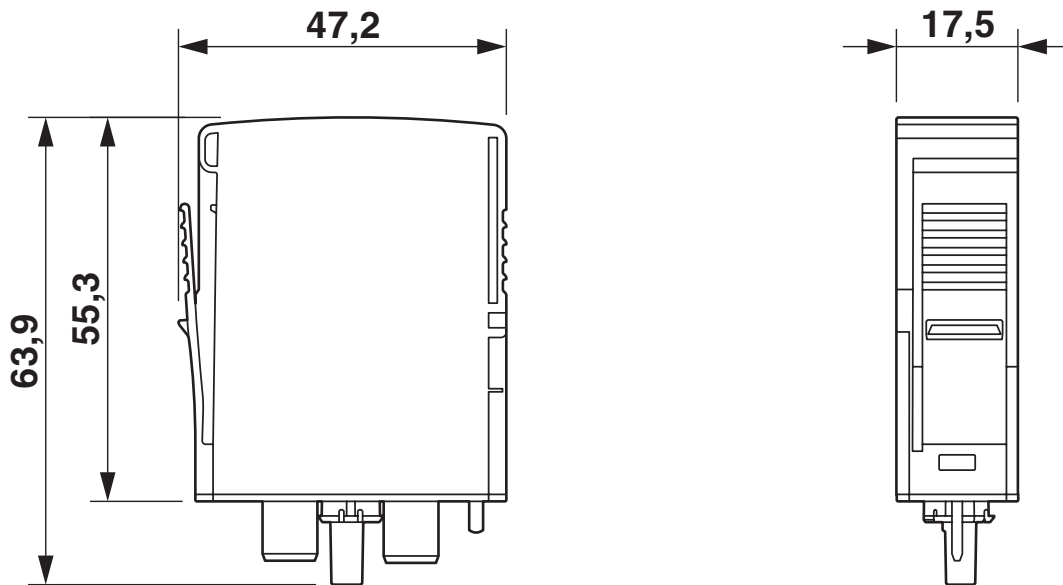
VAL-MS-T1/T2 175/12.5 ST - Type 1/2 surge protection plug

2800676

<https://www.phoenixcontact.com/us/products/2800676>

Drawings

Dimensional drawing



Circuit diagram



VAL-MS-T1/T2 175/12.5 ST - Type 1/2 surge protection plug



2800676

<https://www.phoenixcontact.com/us/products/2800676>

Approvals

To download certificates, visit the product detail page: <https://www.phoenixcontact.com/us/products/2800676>



cUL Recognized
Approval ID: FILE E 330181



UL Recognized
Approval ID: FILE E 330181



IECEE CB Scheme
Approval ID: AT 2584

CCA

Approval ID: NTR-AT 1906



KEMA-KEUR
Approval ID: 2162496-01



DNV GL
Approval ID: TAE00001N9

UAE-RoHS

Approval ID: 23-10-88705

VAL-MS-T1/T2 175/12.5 ST - Type 1/2 surge protection plug



2800676

<https://www.phoenixcontact.com/us/products/2800676>

Classifications

ECLASS

ECLASS-13.0	27171292
ECLASS-15.0	27171292

ETIM

ETIM 10.0	EC002496
-----------	----------

UNSPSC

UNSPSC 21.0	39121600
-------------	----------

VAL-MS-T1/T2 175/12.5 ST - Type 1/2 surge protection plug



2800676

<https://www.phoenixcontact.com/us/products/2800676>

Environmental product compliance

EU RoHS

Fulfills EU RoHS substance requirements	Yes, No exemptions
---	--------------------

China RoHS

Environment friendly use period (EFUP)	EFUP-E
	No hazardous substances above the limits

EU REACH SVHC

REACH candidate substance (CAS No.)	No substance above 0.1 wt%
-------------------------------------	----------------------------

EF3.1 Climate Change

CO2e kg	2.304 kg CO2e
---------	---------------

Phoenix Contact 2026 © - all rights reserved
<https://www.phoenixcontact.com>

Phoenix Contact USA
586 Fulling Mill Road
Middletown, PA 17057, United States
(+717) 944-1300
info@phoenixcon.com