

FLT 100 N/PE-1.5 - Type 1+2 combined lightning current and surge arrester



2800303

<https://www.phoenixcontact.com/us/products/2800303>

Please be informed that the data shown in this PDF document is generated from our online catalog. Please find the complete data in the user documentation. Our general terms of use for downloads are valid.



Lightning current arrester with encapsulated N-PE spark gap, single-channel. Housing width: 35 mm (2 pitches)

Commercial data

Item number	2800303
Packing unit	1 pc
Minimum order quantity	1 pc
Note	Made to order (non-returnable)
Sales key	CL01
Product key	CL1131
GTIN	4046356535236
Weight per piece (including packing)	367.9 g
Weight per piece (excluding packing)	367.9 g
Customs tariff number	85363010
Country of origin	DE

FLT 100 N/PE-1.5 - Type 1+2 combined lightning current and surge arrester

2800303

<https://www.phoenixcontact.com/us/products/2800303>

Technical data

Product properties

Product type	Combination type
IEC test classification	I
	T1
EN type	T1
IEC power supply system	TN-S
	TT
Type	DIN rail module, two-section, divisible
Number of positions	1
Surge protection fault message	none
Number of ports	One

Insulation characteristics

Overvoltage category	III
Pollution degree	2

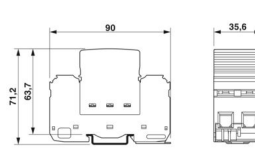
Electrical properties

Nominal frequency f_N	50 Hz (60 Hz)
-------------------------	---------------

Connection data

Connection method	Screw terminal blocks
Screw thread	M5
Tightening torque	4.5 Nm
Stripping length	18 mm
Conductor cross-section flexible	2.5 mm ² ... 25 mm ²
Conductor cross-section rigid	2.5 mm ² ... 35 mm ²
Conductor cross-section AWG	13 ... 2

Dimensions

Dimensional drawing	
Width	35.6 mm
Height	90 mm
Depth	71.2 mm (incl. DIN rail 7.5 mm)
Horizontal pitch	2 Div.

Material specifications

FLT 100 N/PE-1.5 - Type 1+2 combined lightning current and surge arrester



2800303

<https://www.phoenixcontact.com/us/products/2800303>

Color	black (RAL 9005)
Flammability rating according to UL 94	V-0
CTI value of material	600
Insulating material	PA 6.6/PBT
Material group	I
Housing material	PBT

Mechanical properties

Mechanical data

Open side panel	No
-----------------	----

Protective circuit

Mode of protection	N-PE
Direction of action	N-PE
Nominal voltage U_N	240 V AC (TN - only N-PE) 240 V AC (TT - only N-PE)
Nominal frequency f_N	50 Hz (60 Hz)
Maximum continuous operating voltage U_C	260 V AC
Rated load current I_L	125 A (< 55 °C)
Protective conductor current I_{PE}	≤ 0.01 mA
Nominal discharge current I_n (8/20) μ s	100 kA
Impulse discharge current (10/350) μ s, charge	50 As
Impulse discharge current (10/350) μ s, specific energy	2500 kJ/ Ω
Impulse discharge current (10/350) μ s, peak value I_{imp}	100 kA
Follow current interrupt rating I_{fi}	100 A (260 V AC)
Voltage protection level U_p	≤ 1.5 kV
Residual voltage U_{res}	≤ 1.5 kV (at I_n) ≤ 1 kV (at 10 kA) ≤ 0.9 kV (at 5 kA) ≤ 0.8 kV (at 3 kA)
Front-of-wave sparkover voltage at 6 kV (1.2/50) μ s	≤ 1.5 kV
TOV behavior at U_T	1200 V AC (200 ms / withstand mode)
Response time t_A	≤ 100 ns

Environmental and real-life conditions

Ambient conditions

Degree of protection	IP20 (only when all terminal points are used)
Ambient temperature (operation)	-40 °C ... 80 °C
Ambient temperature (storage/transport)	-40 °C ... 80 °C
Altitude	≤ 2000 m (amsl)
Permissible humidity (operation)	5 % ... 95 %
Shock (operation)	25g (Half-sine / 11 ms / 3x \pm X, \pm Y, \pm Z)

FLT 100 N/PE-1.5 - Type 1+2 combined lightning current and surge arrester



2800303

<https://www.phoenixcontact.com/us/products/2800303>

Vibration (operation)	5g (5 - 500 Hz/2.5 h/X, Y, Z)
-----------------------	-------------------------------

Standards and regulations

Air clearances and creepage distances

Standards/regulations	EN 60664-1 / IEC 60664-1 / IEC 61643-11
Standards/specifications	IEC 61643-11
Note	2011
Standards/specifications	EN 61643-11
Note	2012

Mounting

Mounting type	DIN rail: 35 mm
---------------	-----------------

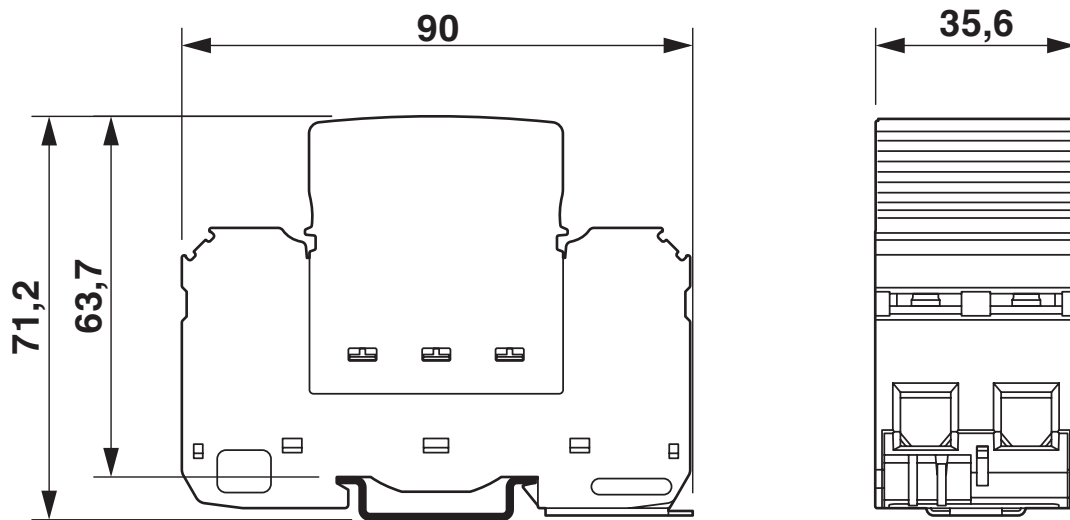
FLT 100 N/PE-1.5 - Type 1+2 combined lightning current and surge arrester

2800303

<https://www.phoenixcontact.com/us/products/2800303>

Drawings

Dimensional drawing

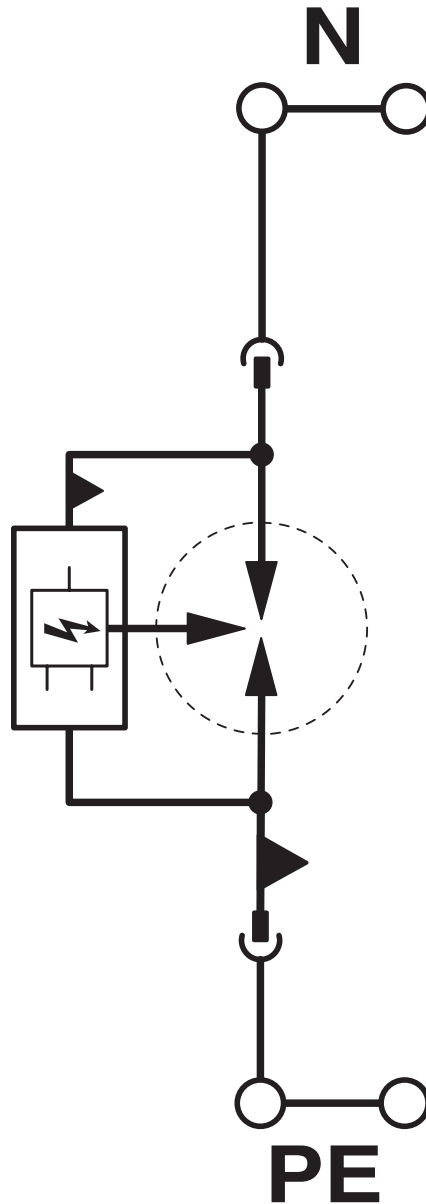


FLT 100 N/PE-1.5 - Type 1+2 combined lightning current and surge arrester

2800303

<https://www.phoenixcontact.com/us/products/2800303>

Circuit diagram



FLT 100 N/PE-1.5 - Type 1+2 combined lightning current and surge arrester



2800303

<https://www.phoenixcontact.com/us/products/2800303>

Approvals

To download certificates, visit the product detail page: <https://www.phoenixcontact.com/us/products/2800303>



IECEE CB Scheme

Approval ID: NL-58250

CCA

Approval ID: NTR-NL 7734



KEMA-KEUR

Approval ID: 71-108169

FLT 100 N/PE-1.5 - Type 1+2 combined lightning current and surge arrester



2800303

<https://www.phoenixcontact.com/us/products/2800303>

Classifications

ECLASS

ECLASS-13.0

27171201

ETIM

ETIM 9.0

EC000381

UNSPSC

UNSPSC 21.0

39121600

FLT 100 N/PE-1.5 - Type 1+2 combined lightning current and surge arrester



2800303

<https://www.phoenixcontact.com/us/products/2800303>

Environmental product compliance

EU RoHS

Fulfills EU RoHS substance requirements	Yes
Exemption	6(c)

China RoHS

Environment friendly use period (EFUP)	EFUP-50
	An article-related China RoHS declaration table can be found in the download area for the respective article under "Manufacturer declaration". For all articles with EFUP-E, no China RoHS declaration table issued and required.

EU REACH SVHC

REACH candidate substance (CAS No.)	Lead(CAS: 7439-92-1)
SCIP	a8604cba-a4ed-40f6-85fa-826cea1052a5

Phoenix Contact 2026 © - all rights reserved
<https://www.phoenixcontact.com>

Phoenix Contact USA
586 Fulling Mill Road
Middletown, PA 17057, United States
(+717) 944-1300
info@phoenixcon.com