

UPS-CP-2KVA/240AC - Uninterruptible power supply



2800275

<https://www.phoenixcontact.com/us/products/2800275>

Please be informed that the data shown in this PDF document is generated from our online catalog. Please find the complete data in the user documentation. Our general terms of use for downloads are valid.

Single-phase UPS device in dual converter technology, according to three-stage classification code VFI-SS-111. Floor-mounted appliance, either for 19" rack mounting, 90° rotary LCD control panel, slot for SNMP card.



Your advantages

- Comprehensive accessories for function extension
- Long battery life thanks to ripple-free charging
- Double conversion technology for maximum voltage quality
- Class VFI-SS-111 single-phase UPS (according to IEC 62040-3)
- Supports a variety of operating systems
- Hot-swappable battery replacement on the front
- Use as rack (19") or tower device with rotatable control panel
- Mains-independent output voltage

Commercial data

Item number	2800275
Packing unit	1 pc
Note	Made to order (non-returnable)
Sales key	C17
Product key	CMUR15
GTIN	4046356537735
Weight per piece (including packing)	31,600 g
Weight per piece (excluding packing)	31,600 g
Customs tariff number	85044030
Country of origin	CN

UPS-CP-2KVA/240AC - Uninterruptible power supply



2800275

<https://www.phoenixcontact.com/us/products/2800275>

Technical data

Notes

Utilization restriction

EMC note	EMC: class A product, see manufacturer's declaration in the download area
----------	---

Input data

Input voltage range	288 V AC 160 V AC 160 ... 288 V AC
Nominal current	max. 8 A
AC frequency range	50 Hz ... 60 Hz ± 5 Hz (automatic recognition)
Power factor (cos phi)	0.99 (with linear load)
Non-linear distortion	< 6 % (at full load)
Protective conductor current I_{PE}	≤ 3.5 mA
Typical switch-over time	typ. 0 ms
Power supply connector	1 x L, N, PE

Output data

Output voltage range	230 V AC ± 1 % (200/208/220/230/240 V AC adjustable)
Nominal current	max. 8.7 A
AC frequency range	50 / 60 Hz (automatic recognition)
Frequency range AC (battery mode)	50 / 60 Hz $\pm 0,1$ %
Crest factor	3.1
Current distortion (THD)	< 3 % (linear load) < 6 % (non-linear load)
Efficiency (100/75/50/25% load)	85 / 82 / 82 / 80 % - mains operation

Energy storage

Battery voltage	12 V DC (per battery)
Charging voltage	82 V DC ± 0.5 V DC
Network management	Yes

Interfaces

Interfaces	1x USB, 1x RS-232
------------	-------------------

Electrical properties

Nominal frequency f_N	50 Hz ± 5 Hz (60 Hz)
Nominal current I_N	8 A

Product properties

Product type	AC UPS
Type	19" rack/fixed housing
MTBF (IEC 61709, SN 29500)	> 200000 h

UPS-CP-2KVA/240AC - Uninterruptible power supply



2800275

<https://www.phoenixcontact.com/us/products/2800275>

Dimensions

Width	483.00 mm
Height	89.00 mm
Rack unit	2 U
Depth	680.00 mm

Material specifications

Color	black
-------	-------

Environmental and real-life conditions

Ambient conditions

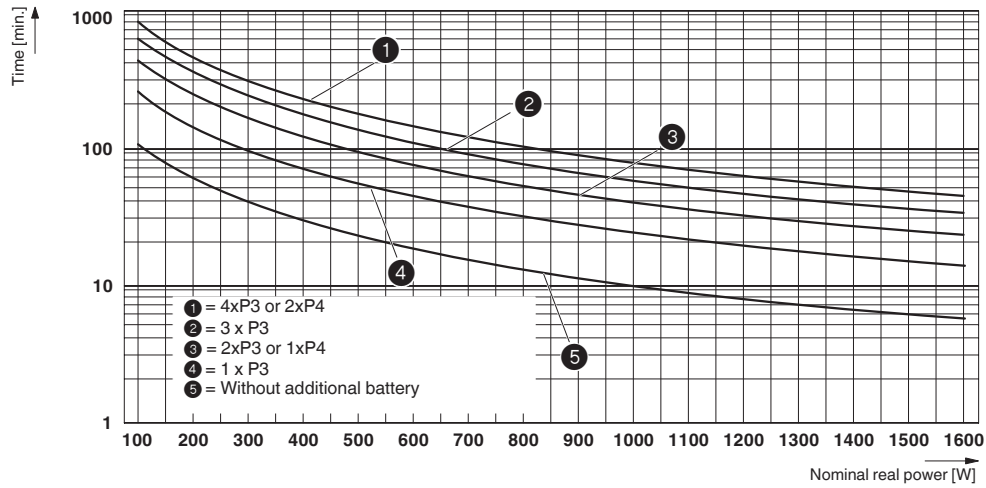
Degree of protection	IP20
Ambient temperature (operation)	0 °C ... 40 °C
Ambient temperature (storage/transport)	0 °C ... 45 °C
Altitude	≤ 1000 m
Permissible humidity (operation)	0 % ... 90 % (non-condensing)
Noise level	50

Standards and regulations

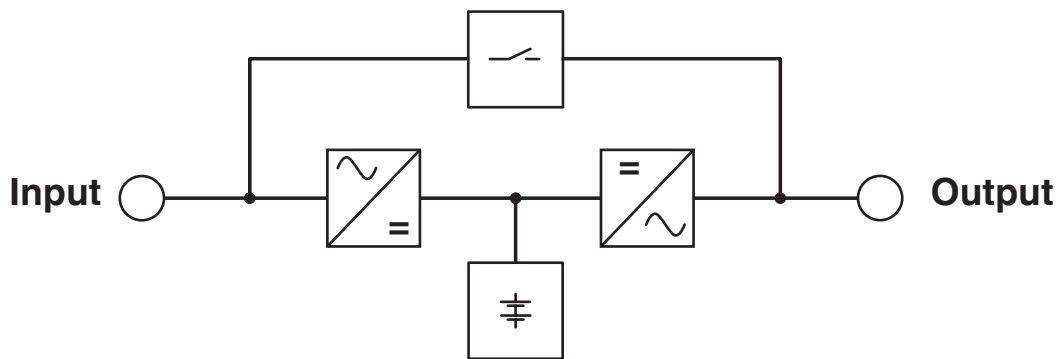
Standards/specifications	EN 62040-1-1
Standards/specifications	EN 62040-2
Standards/specifications	EN 62040-3
Standards/specifications	IEC 60950-1
Standards/specifications	EN 61000-3-2
Standards/specifications	EN 61000-3-3

Drawings

Diagram



Circuit diagram



UPS-CP-2KVA/240AC - Uninterruptible power supply



2800275

<https://www.phoenixcontact.com/us/products/2800275>

Environmental product compliance

China RoHS

Environment friendly use period (EFUP)	EFUP-25 An article-related China RoHS declaration table can be found in the download area for the respective article under "Manufacturer declaration". For all articles with EFUP-E, no China RoHS declaration table issued and required.
--	--

EU REACH SVHC

REACH candidate substance (CAS No.)	No substance above 0.1 wt%
-------------------------------------	----------------------------

Phoenix Contact 2026 © - all rights reserved
<https://www.phoenixcontact.com>

Phoenix Contact USA
586 Fulling Mill Road
Middletown, PA 17057, United States
(+717) 944-1300
info@phoenixcon.com