

VAL-MS/2+0-BE/FM/S2 - Type 2 surge protection base element



2800246

<https://www.phoenixcontact.com/us/products/2800246>

Please be informed that the data shown in this PDF document is generated from our online catalog. Please find the complete data in the user documentation. Our general terms of use for downloads are valid.

Base element for type 2 arresters of the VALVETRAB MS product range, with remote indication contact. Version for 2-phase power supply units with common reference potential.



Commercial data

Item number	2800246
Packing unit	1 pc
Minimum order quantity	1 pc
Sales key	CL18
Product key	CL1321
GTIN	4046356519250
Weight per piece (including packing)	178.1 g
Weight per piece (excluding packing)	152.25 g
Customs tariff number	85366990
Country of origin	DE

VAL-MS/2+0-BE/FM/S2 - Type 2 surge protection base element



2800246

<https://www.phoenixcontact.com/us/products/2800246>

Technical data

Product properties

Product type	Base element
Product family	VALVETRAB MS
IEC test classification	II
	T2
EN type	T2
Type	Base element, DIN rail mounting
Number of positions	2
Surge protection fault message	Remote indication contact

Insulation characteristics

Overvoltage category	III
Pollution degree	2

Electrical properties

Nominal frequency f_N	50 Hz (60 Hz)
-------------------------	---------------

Indicator/remote signaling

Connection name	Remote fault indicator contact
Switching function	Changeover contact
Operating voltage	5 V AC ... 250 V AC
	30 V DC
Operating current	5 mA AC ... 1.5 A AC
	1 A DC

Connection data

Connection method	Screw connection
Screw thread	M5
Tightening torque	3 Nm (1.5 mm ² ... 16 mm ²)
	4.5 Nm (25 mm ² ... 35 mm ²)
Stripping length	16 mm
Conductor cross-section flexible	1.5 mm ² ... 25 mm ²
Conductor cross-section rigid	1.5 mm ² ... 35 mm ²
Conductor cross-section AWG	15 ... 2
Connection method	Fork-type cable lug
Conductor cross-section flexible	1.5 mm ² ... 16 mm ²

Remote fault indicator contact

Connection method	Plug-in/screw connection via COMBICON
Screw thread	M2
Tightening torque	0.25 Nm

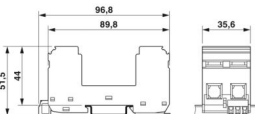
VAL-MS/2+0-BE/FM/S2 - Type 2 surge protection base element

2800246

<https://www.phoenixcontact.com/us/products/2800246>

Stripping length	7 mm
Conductor cross-section flexible	0.14 mm ² ... 1.5 mm ²
Conductor cross-section rigid	0.14 mm ² ... 1.5 mm ²
Conductor cross-section AWG	28 ... 16

Dimensions

Dimensional drawing	
Width	35.6 mm
Height	96.8 mm
Depth	51.5 mm (incl. DIN rail 7.5 mm)
Horizontal pitch	2 Div.

Material specifications

Color	black (RAL 9005)
Flammability rating according to UL 94	V-0
CTI value of material	600
Insulating material	PBT
Material group	I
Housing material	PBT

Mechanical properties

Mechanical data

Open side panel	No
-----------------	----

Protective circuit

Direction of action	2L-GND
Nominal frequency f_N	50 Hz (60 Hz)
Maximum continuous operating voltage U_C	500 V AC
Rated load current I_L	80 A
Short-circuit current rating I_{SCCR}	25 kA
Max. backup fuse with V-type through wiring	80 A (gG)
Max. backup fuse with branch wiring	200 A (gG)

Environmental and real-life conditions

Ambient conditions

Degree of protection	IP20 (only when all terminal points are used)
Ambient temperature (operation)	-40 °C ... 80 °C
Ambient temperature (storage/transport)	-40 °C ... 80 °C

VAL-MS/2+0-BE/FM/S2 - Type 2 surge protection base element



2800246

<https://www.phoenixcontact.com/us/products/2800246>

Altitude	≤ 2000 m (amsl)
Permissible humidity (operation)	5 % ... 95 %
Shock (operation)	25g (Half-sine / 11 ms / 3x ±X, ±Y, ±Z)
Vibration (operation)	5g (10 ... 500 Hz / 2.5 h / X, Y, Z)

Standards and regulations

Standards/specifications	IEC 61643-11
Note	2011
Standards/specifications	EN 61643-11
Note	2012

Mounting

Mounting type	DIN rail: 35 mm
---------------	-----------------

VAL-MS/2+0-BE/FM/S2 - Type 2 surge protection base element

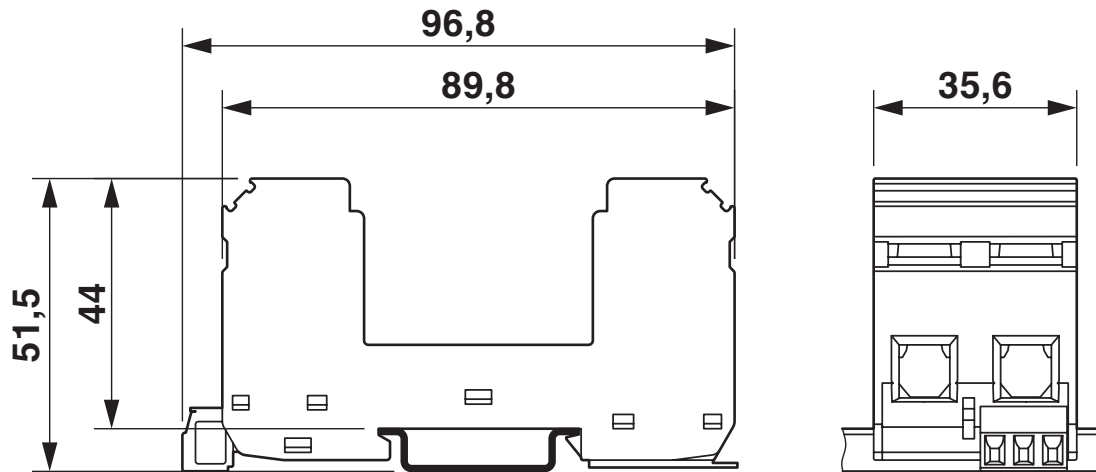


2800246

<https://www.phoenixcontact.com/us/products/2800246>

Drawings

Dimensional drawing



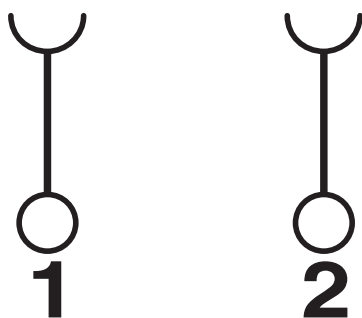
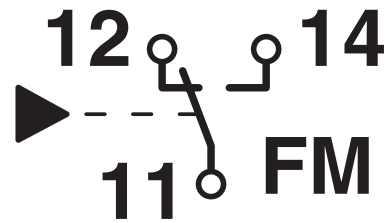
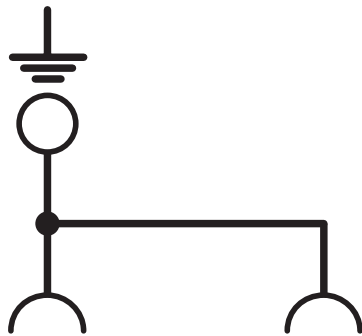
VAL-MS/2+0-BE/FM/S2 - Type 2 surge protection base element



2800246

<https://www.phoenixcontact.com/us/products/2800246>

Circuit diagram



VAL-MS/2+0-BE/FM/S2 - Type 2 surge protection base element



2800246

<https://www.phoenixcontact.com/us/products/2800246>

Approvals

🔗 To download certificates, visit the product detail page: <https://www.phoenixcontact.com/us/products/2800246>

UAE-RoHS

Approval ID: 22-09-51251

VAL-MS/2+0-BE/FM/S2 - Type 2 surge protection base element



2800246

<https://www.phoenixcontact.com/us/products/2800246>

Classifications

ECLASS

ECLASS-13.0	27171292
ECLASS-15.0	27171292

ETIM

ETIM 10.0	EC002496
-----------	----------

UNSPSC

UNSPSC 21.0	39121600
-------------	----------

VAL-MS/2+0-BE/FM/S2 - Type 2 surge protection base element



2800246

<https://www.phoenixcontact.com/us/products/2800246>

Environmental product compliance

EU RoHS

Fulfills EU RoHS substance requirements	Yes, No exemptions
---	--------------------

China RoHS

Environment friendly use period (EFUP)	EFUP-E
	No hazardous substances above the limits

EU REACH SVHC

REACH candidate substance (CAS No.)	No substance above 0.1 wt%
-------------------------------------	----------------------------

EF3.1 Climate Change

CO2e kg	0.564 kg CO2e
---------	---------------

Phoenix Contact 2026 © - all rights reserved
<https://www.phoenixcontact.com>

Phoenix Contact USA
586 Fulling Mill Road
Middletown, PA 17057, United States
(+717) 944-1300
info@phoenixcon.com