

FLT 25-400 - Type 1+2 combined lightning current and surge arrester



2800106

<https://www.phoenixcontact.com/us/products/2800106>

Please be informed that the data shown in this PDF document is generated from our online catalog. Please find the complete data in the user documentation. Our general terms of use for downloads are valid.



Type 1 / Class I / B arrester (lightning current arrester) with arc chopping spark gap, 1-channel.
Housing width: 17.5 mm (1 Div.)

Your advantages

- High discharge capacity

Commercial data

Item number	2800106
Packing unit	1 pc
Minimum order quantity	1 pc
Sales key	CL01
Product key	CL1131
GTIN	4046356479929
Weight per piece (including packing)	179 g
Weight per piece (excluding packing)	177 g
Customs tariff number	85363010
Country of origin	IN

FLT 25-400 - Type 1+2 combined lightning current and surge arrester

2800106

<https://www.phoenixcontact.com/us/products/2800106>

Technical data

Product properties

Product type	Combination type
IEC test classification	I
	T1
EN type	T1
IEC power supply system	TN-S
	TN-C
	TT
Type	DIN rail module, one-piece
Number of positions	1
Surge protection fault message	none
Number of ports	One

Insulation characteristics

Overvoltage category	III
Pollution degree	2

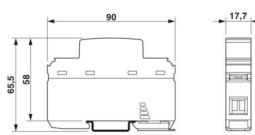
Electrical properties

Nominal frequency f_N	50 Hz (60 Hz)
-------------------------	---------------

Connection data

Connection method	Screw connection
Screw thread	M5
Tightening torque	4.5 Nm
Stripping length	14.5 mm
Conductor cross-section flexible min.	2.5 mm ²
Conductor cross-section flexible max.	25 mm ²
Conductor cross-section, rigid min.	2.5 mm ²
Conductor cross-section, rigid max.	35 mm ²
Conductor cross-section AWG	6 ... 2

Dimensions

Dimensional drawing	
Width	17.7 mm
Height	90 mm
Depth	65.5 mm

FLT 25-400 - Type 1+2 combined lightning current and surge arrester



2800106

<https://www.phoenixcontact.com/us/products/2800106>

Horizontal pitch	1 Div.
------------------	--------

Material specifications

Color	black (RAL 9005)
Flammability rating according to UL 94	V-0
CTI value of material	600
Insulating material	PA 6.6
Material group	I
Housing material	PA 6.6

Mechanical properties

Mechanical data

Open side panel	No
-----------------	----

Protective circuit

Mode of protection	L-PEN
Direction of action	1L-N/PE
Nominal voltage U_N	230/400 V AC (TN) 230/400 V AC (TT)
Nominal frequency f_N	50 Hz (60 Hz)
Maximum continuous operating voltage U_C (L-PEN)	440 V AC
Rated load current I_L	80 A
Protective conductor current I_{PE}	≤ 0.1 mA
Standby power consumption P_C	≤ 44 mVA
Nominal discharge current I_n (8/20) μ s (L-PEN)	25 kA
Impulse discharge current (10/350) μ s (L-PEN), charge	12.5 As
Impulse discharge current (10/350) μ s (L-PEN), specific energy	156 kJ/ Ω
Impulse discharge current (10/350) μ s (L-PEN), peak current value I_{imp}	25 kA
Follow current quenching capacity I_{fi} (L-PEN)	2.5 kA
Short-circuit current rating I_{SCCR}	2.5 kA
Voltage protection level U_p (L-PEN)	≤ 5 kV
Front-of-wave sparkover voltage at 6 kV (1.2/50) μ s	≤ 5 kV
TOV behavior at U_T (L-PEN)	440 V AC (5 s / withstand mode) 440 V AC (120 min / withstand mode)
Response time t_A (L-PEN)	≤ 100 ns
Max. backup fuse with V-type through wiring	80 A AC (gG)
Max. backup fuse with branch wiring	250 A AC (gG)

Environmental and real-life conditions

Ambient conditions

Degree of protection	IP20 (only when all terminal points are used)
----------------------	---

FLT 25-400 - Type 1+2 combined lightning current and surge arrester



2800106

<https://www.phoenixcontact.com/us/products/2800106>

Ambient temperature (operation)	-40 °C ... 85 °C
Ambient temperature (storage/transport)	-40 °C ... 85 °C
Altitude	≤ 2000 m (amsl)
Permissible humidity (operation)	5 % ... 95 %

Standards and regulations

Air clearances and creepage distances

Standards/regulations	EN 60664-1 / EN 61643-11
Standards/specifications	IEC 61643-11
Note	2011
Standards/specifications	EN 61643-11
Note	2012

Mounting

Mounting type	DIN rail: 35 mm
---------------	-----------------

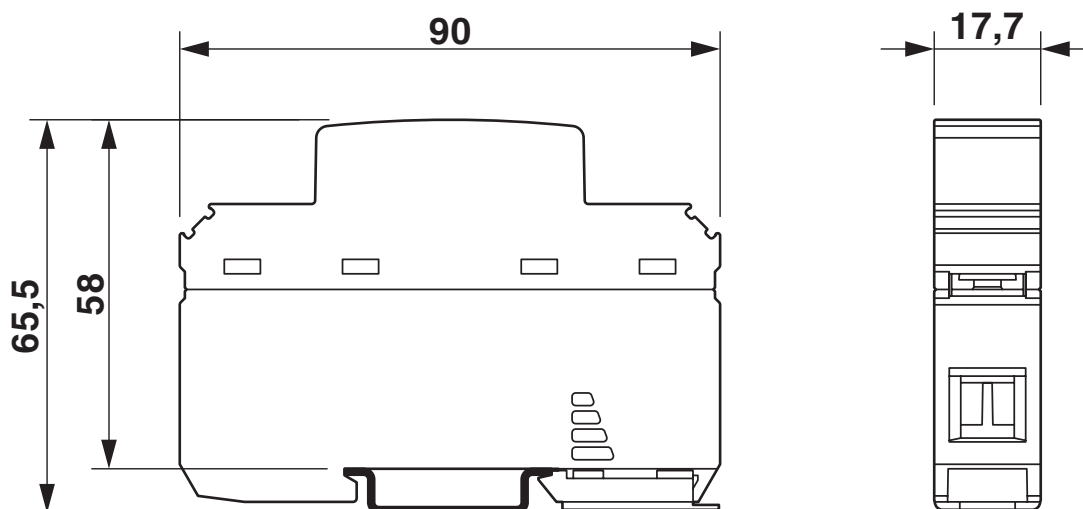
FLT 25-400 - Type 1+2 combined lightning current and surge arrester

2800106

<https://www.phoenixcontact.com/us/products/2800106>

Drawings

Dimensional drawing



Circuit diagram



FLT 25-400 - Type 1+2 combined lightning current and surge arrester



2800106

<https://www.phoenixcontact.com/us/products/2800106>

Classifications

ECLASS

ECLASS-13.0

27171201

ETIM

ETIM 9.0

EC000381

UNSPSC

UNSPSC 21.0

39121600

FLT 25-400 - Type 1+2 combined lightning current and surge arrester



2800106

<https://www.phoenixcontact.com/us/products/2800106>

Environmental product compliance

EU RoHS

Fulfills EU RoHS substance requirements	Yes, No exemptions
---	--------------------

China RoHS

Environment friendly use period (EFUP)	EFUP-E
	No hazardous substances above the limits

EU REACH SVHC

REACH candidate substance (CAS No.)	No substance above 0.1 wt%
-------------------------------------	----------------------------

Phoenix Contact 2026 © - all rights reserved
<https://www.phoenixcontact.com>

Phoenix Contact USA
586 Fulling Mill Road
Middletown, PA 17057, United States
(+717) 944-1300
info@phoenixcon.com