

# DT-UFB-IB-RB0 - Surge protection device



2800056

<https://www.phoenixcontact.com/us/products/2800056>

Please be informed that the data shown in this PDF document is generated from our online catalog. Please find the complete data in the user documentation. Our general terms of use for downloads are valid.

Attachment plug with surge protection for 5-conductor remote bus input. Connection: 9-pos. D-SUB socket - plug. Can alternatively be snapped onto DIN rails. Incl. 1 m cable with 9-pos. D-SUB connection.



## Your advantages

- Easy network integration via D-SUB connection
- No signal interference with adapted protective circuit
- Can be installed in a control cabinet by removing the ground connection adapter

## Commercial data

Item number	2800056
Packing unit	1 pc
Minimum order quantity	1 pc
Sales key	CL24
Product key	CL3112
GTIN	4046356462723
Weight per piece (including packing)	440.1 g
Weight per piece (excluding packing)	436 g
Customs tariff number	85363010
Country of origin	DE

# DT-UFB-IB-RB0 - Surge protection device

2800056

<https://www.phoenixcontact.com/us/products/2800056>

## Technical data

### Product properties

Product type	Surge protection for information technology
Product family	DATATRAB
IEC test classification	B2
	C1
	C2
	C3
	D1
VDE requirement class	B2
	C1
	C2
	C3
	D1
Type	Attachment plug for DIN rail mounting
Number of positions	5
Wire pairs per module	2

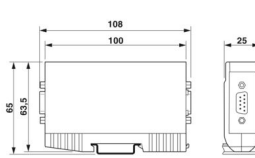
### Insulation characteristics

Overvoltage category	II
----------------------	----

### Connection data

Connection method	D-SUB-9
-------------------	---------

### Dimensions

Dimensional drawing	
Width	25 mm
Height	110 mm
Depth	63 mm

### Material specifications

Color	silver-colored
	black (RAL 9005)
Housing material	Die-cast zinc

### Mechanical properties

#### Mechanical data

# DT-UFB-IB-RB0 - Surge protection device



2800056

<https://www.phoenixcontact.com/us/products/2800056>

Open side panel	No
-----------------	----

## Protective circuit

Direction of action	Line-Line & Line-Ground/Shield
Maximum continuous operating voltage $U_C$	5.8 V DC
Rated current	$\leq 180$ mA (25 °C)
Operating effective current $I_C$ at $U_C$	$\leq 1$ $\mu$ A
Protective conductor current $I_{PE}$	$\leq 5$ $\mu$ A
Nominal discharge current $I_n$ (8/20) $\mu$ s (line-line)	$\leq 5$ kA
Nominal discharge current $I_n$ (8/20) $\mu$ s (line-ground)	$\leq 5$ kA
Total discharge current $I_{Total}$ (8/20) $\mu$ s	10 kA
Output voltage limitation at 1 kV/ $\mu$ s (line-earth) spike	$\leq 700$ V
Output voltage limitation at 1 kV/ $\mu$ s (line-line) static	$\leq 15$ V
Output voltage limitation at 1 kV/ $\mu$ s (line-earth) static	$\leq 700$ V
Output voltage limitation at 1 kV/ $\mu$ s (line-signal ground) static	$\leq 15$ V
Residual voltage at $I_n$ (conductor-conductor)	$\leq 25$ V
Residual voltage at $I_n$ (conductor-ground)	$\leq 55$ V
Residual voltage at $I_n$ (line-signal ground)	$\leq 25$ V
Voltage protection level $U_p$ (line-line)	$\leq 16$ V (B2 - 100 A)
	$\leq 20$ V (C1 - 500 A)
	$\leq 60$ V (C2 - 1 kA)
	$\leq 60$ V (C2 - 5 kA)
Voltage protection level $U_p$ (line-earth)	$\leq 700$ V (B2 - 100 A)
	$\leq 700$ V (C1 - 500 A)
	$\leq 700$ V (C2 - 5 kA)
Response time $t_A$ (line-line)	$\leq 1$ ns
Response time $t_A$ (line-earth)	$\leq 100$ ns
Input attenuation aE, sym.	typ. 0.5 dB ( $\leq 5$ MHz / 150 $\Omega$ )
	typ. 0.6 dB ( $\leq 10$ MHz / 100/150 $\Omega$ )
Cut-off frequency $f_g$ (3 dB), sym. in 100 $\Omega$ system	$\geq 100$ MHz
Cut-off frequency $f_g$ (3 dB), sym. in 150 $\Omega$ system	$\geq 100$ MHz
Capacity (Core-Core)	typ. 20 pF
Resistance per path	typ. 7 $\Omega$
Surge protection fault message	none
Impulse durability (line-line)	C1 - 1 kV / 500 A
	C2 - 10 kV / 5 kA
	B2 - 4 kV / 100 A
Impulse durability (line-earth)	B2 - 4 kV / 100 A
	C1 - 1 kV / 500 A
	C2 - 10 kV / 5 kA
	D1 - 1 kA

## Environmental and real-life conditions

Ambient conditions

# DT-UFB-IB-RB0 - Surge protection device



2800056

<https://www.phoenixcontact.com/us/products/2800056>

Degree of protection	IP20
Ambient temperature (operation)	-40 °C ... 85 °C

## Standards and regulations

VDE requirement class	B2
	C1
	C2
	C3
	D1

### Standards Information technology specification

Standards/regulations	IEC 61643-21
	DIN EN 61643-21
	IEC 61643-21
	DIN EN 61643-21

### Air clearances and creepage distances

Standards/regulations	IEC 60664-1 / VDE 0110-1
Standards/specifications	DIN EN 61643-21
Note	2002
Standards/specifications	IEC 61643-21
Note	2000

## Mounting

Mounting type	Connection-specific attachment plug and DIN rail, 35 mm
---------------	---

# DT-UFB-IB-RB0 - Surge protection device

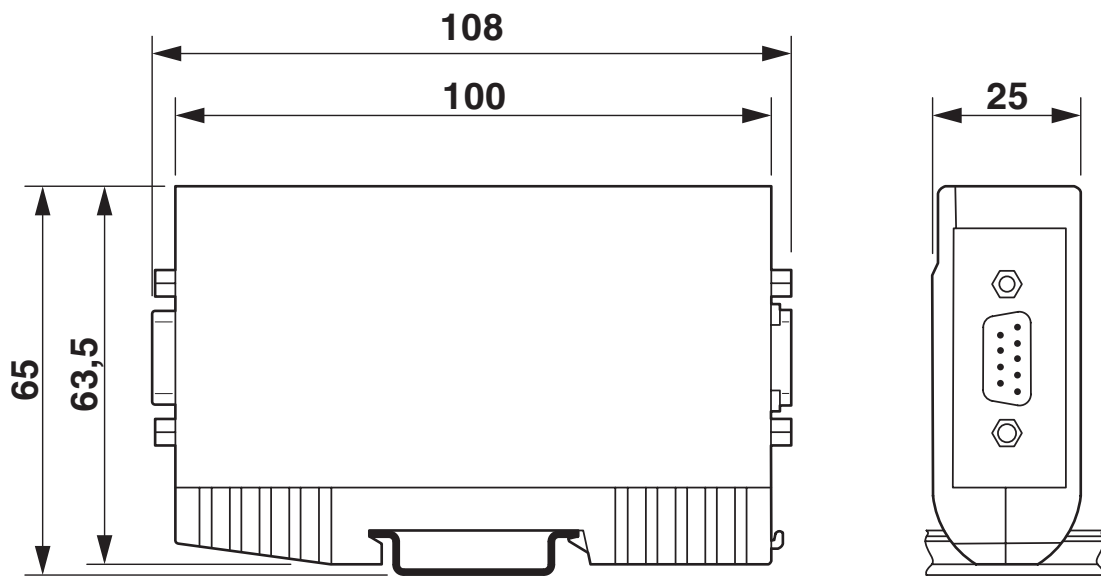


2800056

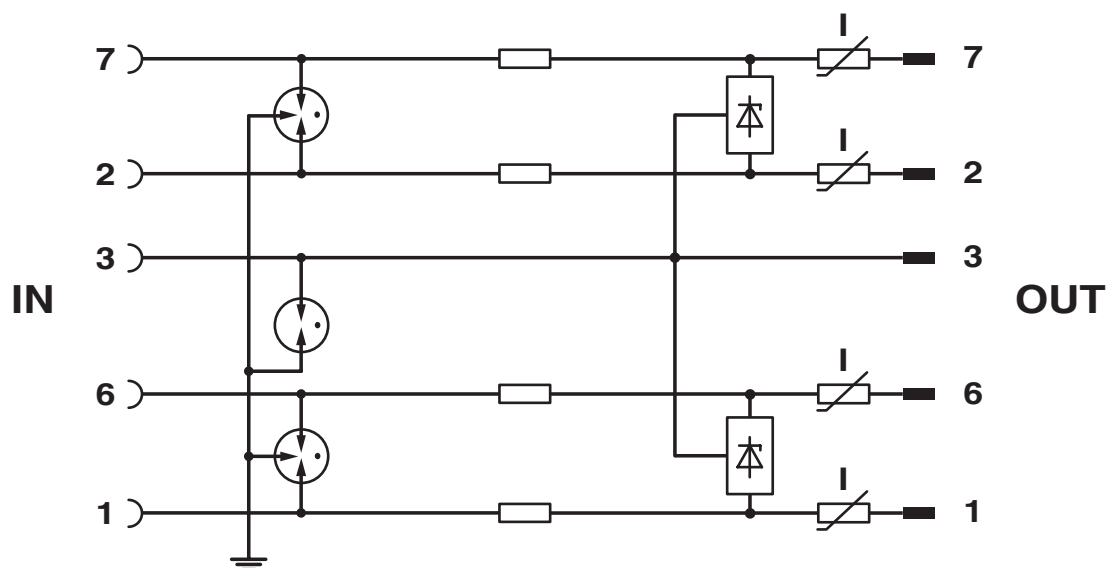
<https://www.phoenixcontact.com/us/products/2800056>

## Drawings

Dimensional drawing



Circuit diagram



# DT-UFB-IB-RB0 - Surge protection device



2800056

<https://www.phoenixcontact.com/us/products/2800056>

## Classifications

### ECLASS

ECLASS-13.0	27171503
ECLASS-15.0	27171503

### ETIM

ETIM 10.0	EC001466
-----------	----------

### UNSPSC

UNSPSC 21.0	39121600
-------------	----------

# DT-UFB-IB-RB0 - Surge protection device



2800056

<https://www.phoenixcontact.com/us/products/2800056>

## Environmental product compliance

### EU RoHS

Fulfills EU RoHS substance requirements	Yes
Exemption	6(a)-I, 6(c), 7(a), 7(c)-I

### China RoHS

Environment friendly use period (EFUP)	EFUP-50
	An article-related China RoHS declaration table can be found in the download area for the respective article under "Manufacturer declaration". For all articles with EFUP-E, no China RoHS declaration table issued and required.

### EU REACH SVHC

REACH candidate substance (CAS No.)	Lead(CAS: 7439-92-1)
SCIP	e20d13e8-0025-4ffe-a364-bbff4acfee36

Phoenix Contact 2026 © - all rights reserved

<https://www.phoenixcontact.com>

Phoenix Contact USA  
586 Fulling Mill Road  
Middletown, PA 17057, United States  
(+717) 944-1300  
[info@phoenixcon.com](mailto:info@phoenixcon.com)