

PSM-EG-RS422/FO-GST - FO converters



2799898

<https://www.phoenixcontact.com/us/products/2799898>

Please be informed that the data shown in this PDF document is generated from our online catalog. Please find the complete data in the user documentation. Our general terms of use for downloads are valid.



Interface converter, for converting data signals from RS-422 (V.11) or RS-485 4-wire interface to a fiber optic cable, fiberglass, connection system: B-FOC, rail-mountable

The figure shows versions PSM-EG-RS422/FO-GST and PSM-EG-RS422/LWL-K

Commercial data

Item number	2799898
Packing unit	1 pc
Note	Made to order (non-returnable)
Sales key	NULL
Product key	DNC223
GTIN	4017918074166
Weight per piece (including packing)	262.3 g
Weight per piece (excluding packing)	262.3 g
Customs tariff number	85176200
Country of origin	DE

Technical data

Electrical properties

Electrical isolation	RS-422 // supply
Maximum power dissipation for nominal condition	1.68 W
Test voltage data interface/power supply	2.5 kV AC

Supply

Nominal supply voltage	24 V DC \pm 20 %
Typical current consumption	max. 70 mA

Interfaces

Signal	Point-to-point
	INTERBUS
Transmission channels	2 (1/1), RxD, TxD, full duplex

Data: optical FO

Transmission power	28.18 μ W (-15,5 dBm at 50/125 μ m)
	63.1 μ W (-12 dBm at 62,5/125 μ m)
Transmit capacity, minimum	min. -15.5 dBm (50/125 μ m)
	min. -12 dBm (62,5/125 μ m)
Transmission length incl. 3 dB system reserve	min. 2700 m (with F-G 50/125 2.5 dB/km)
	min. 2100 m (with F-G 50/125 3.0 dB/km)
	min. 2900 m (with F-G 50/125 3.4 dB/km)
	min. 3300 m (with F-G 62,5/125 3.0 dB/km)
	min. 2600 m (with F-G 50/125 2.5 dB/km)
Connection method	B-FOC (ST®)
Wavelength	850 nm
Minimum receiver sensitivity	min. -25 dBm

Data: RS-422 interface in acc. with ITU-T V.11, EIA/TIA-422, DIN 66348-1

Serial transmission speed	500 kbps
Connection method	D-SUB-15 male connector
	COMBICON
Transmission length	50 m (twisted pair)
Conductor cross-section flexible max.	2.5 mm ²
Conductor cross-section flexible min.	0.2 mm ²
Conductor cross-section AWG max.	14
Conductor cross-section AWG min.	24

Dimensions

Width	45 mm
Height	75 mm
Depth	112 mm

2799898

<https://www.phoenixcontact.com/us/products/2799898>

Material specifications

Color (Housing)	green (RAL 6021)
Material (Housing)	ABS

Cable/line

FO cable

Fiber types	50/125 µm
	62.5/125 µm
	Fiberglass

Environmental and real-life conditions

Ambient conditions

Degree of protection	IP20
Ambient temperature (operation)	0 °C ... 50 °C

Standards and regulations

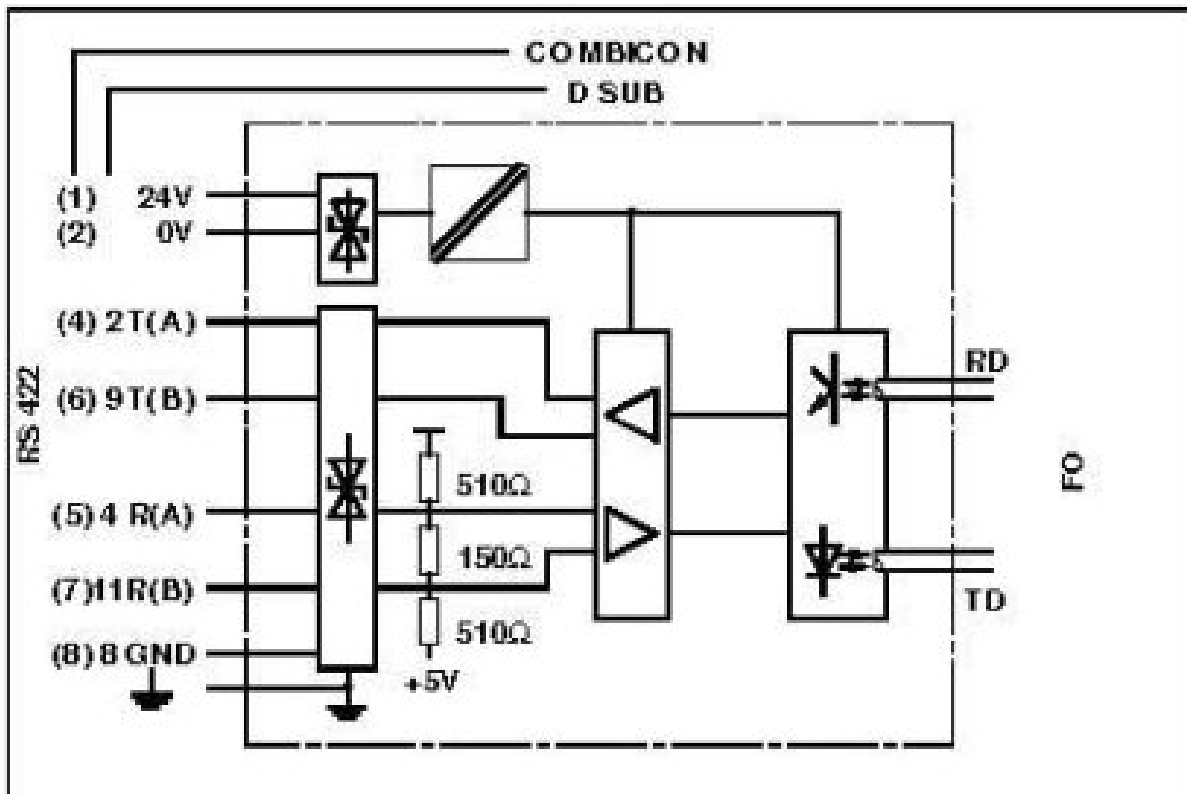
Electrical isolation	RS-422 // supply
----------------------	------------------

Mounting

Mounting type	DIN rail mounting
---------------	-------------------

Drawings

Connection diagram



2799898

<https://www.phoenixcontact.com/us/products/2799898>

Environmental product compliance

EU RoHS

Fulfills EU RoHS substance requirements	Yes
Exemption	6(c), 7(a), 7(c)-I

China RoHS

Environment friendly use period (EFUP)	EFUP-50
	An article-related China RoHS declaration table can be found in the download area for the respective article under "Manufacturer declaration". For all articles with EFUP-E, no China RoHS declaration table issued and required.

EU REACH SVHC

REACH candidate substance (CAS No.)	Lead(CAS: 7439-92-1)
-------------------------------------	----------------------

Phoenix Contact 2026 © - all rights reserved
<https://www.phoenixcontact.com>

Phoenix Contact USA
586 Fulling Mill Road
Middletown, PA 17057, United States
(+717) 944-1300
info@phoenixcon.com