

OPTOSUB-PLUS-G/OUT - FO converters



2799636

<https://www.phoenixcontact.com/us/products/2799636>

Please be informed that the data shown in this PDF document is generated from our online catalog. Please find the complete data in the user documentation. Our general terms of use for downloads are valid.



The figure shows version OPTOSUB-PLUS-G/OUT and OPTOSUB-PLUS-K/OUT

INTERBUS/fiber optic adapter, for converting the remote OUT interface to fiberglass, connection system: B-FOC

Commercial data

Item number	2799636
Packing unit	1 pc
Note	Made to order (non-returnable)
Sales key	DN06
Product key	DNC282
GTIN	4017918129712
Weight per piece (including packing)	44.3 g
Weight per piece (excluding packing)	30.54 g
Customs tariff number	85176200
Country of origin	DE

Technical data

Notes

Utilization restriction

EMC note	EMC: class A product, see manufacturer's declaration in the download area
----------	---

Product properties

Product type	Media converter
--------------	-----------------

Electrical properties

Supply

Nominal supply voltage	none, supply from data channel
Typical current consumption	typ. 30 mA

Interfaces

Signal	INTERBUS
Transmission channels	2 (1/1), RxD, TxD, full duplex

Data: optical FO

Transmission power	25.12 μ W (-16 dBm at 50/125 μ m)
	25.12 μ W (-16 dBm at 62.5/125 μ m)
Transmission length incl. 3 dB system reserve	3300 m (with F-G 50/125 2.5 dB/km)
	2600 m (with F-G 50/125 3.0 dB/km)
	2300 m (with F-G 50/125 3.4 dB/km)
Connection method	B-FOC (ST®)
Wavelength	850 nm
Minimum receiver sensitivity	-27 dBm
Transmission medium	Multi-mode fiberglass

Data: RS-485 interface INTERBUS in acc. with DIN 50254

Serial transmission speed	500 kbps
Connection method	D-SUB 9 plug
Transmission medium	Copper

Dimensions

Width	16.3 mm
Height	57 mm
Depth	31.3 mm

Material specifications

Material (Housing)	ABS (metal-plated)
--------------------	--------------------

Cable/line

OPTOSUB-PLUS-G/OUT - FO converters



2799636

<https://www.phoenixcontact.com/us/products/2799636>

FO cable

Fiber types	50/125 μm
	62.5/125 μm
	Fiberglass

Environmental and real-life conditions

Ambient conditions

Ambient temperature (operation)	0 °C ... 55 °C
---------------------------------	----------------

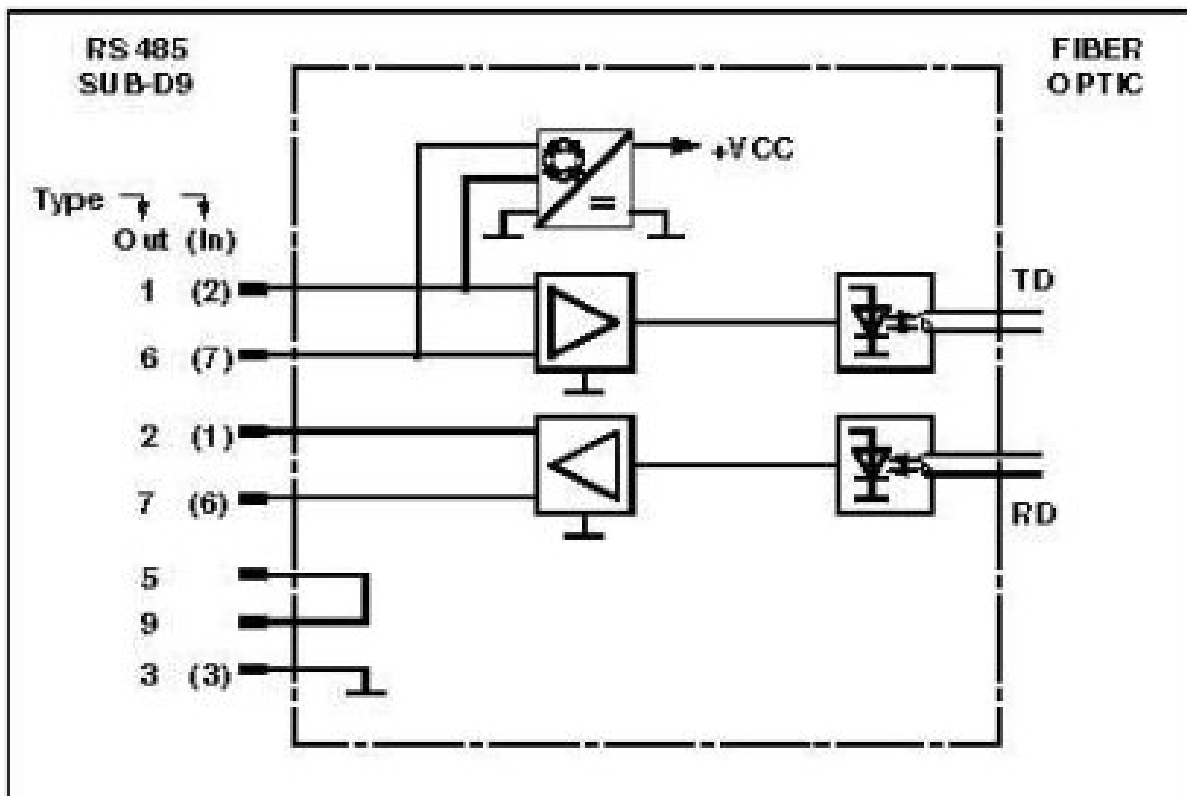
OPTOSUB-PLUS-G/OUT - FO converters

2799636

<https://www.phoenixcontact.com/us/products/2799636>

Drawings

Connection diagram



OPTOSUB-PLUS-G/OUT - FO converters



2799636

<https://www.phoenixcontact.com/us/products/2799636>

Environmental product compliance

EU RoHS

Fulfills EU RoHS substance requirements	Yes, No exemptions
---	--------------------

China RoHS

Environment friendly use period (EFUP)	EFUP-E
	No hazardous substances above the limits

EU REACH SVHC

REACH candidate substance (CAS No.)	No substance above 0.1 wt%
-------------------------------------	----------------------------

Phoenix Contact 2026 © - all rights reserved
<https://www.phoenixcontact.com>

Phoenix Contact USA
586 Fulling Mill Road
Middletown, PA 17057, United States
(+717) 944-1300
info@phoenixcon.com